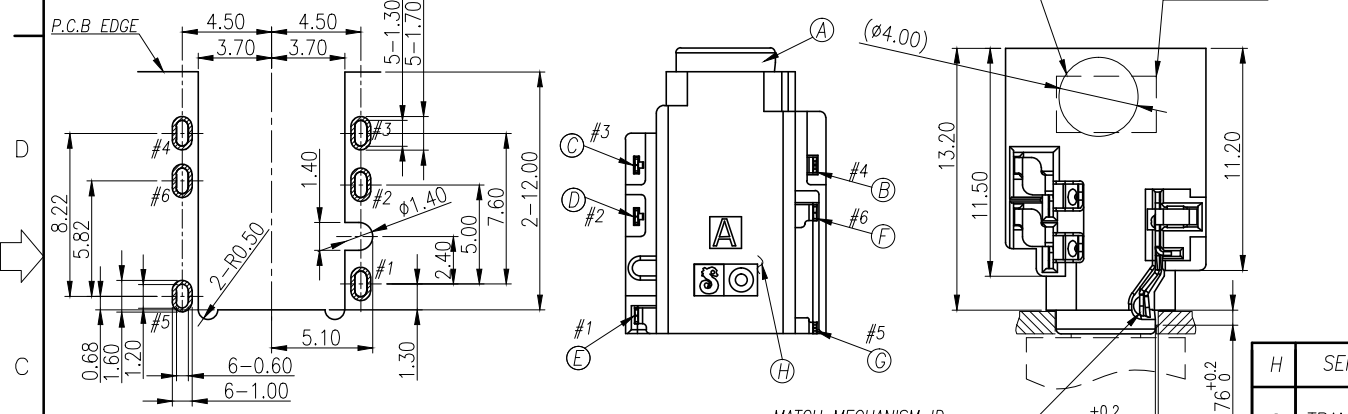
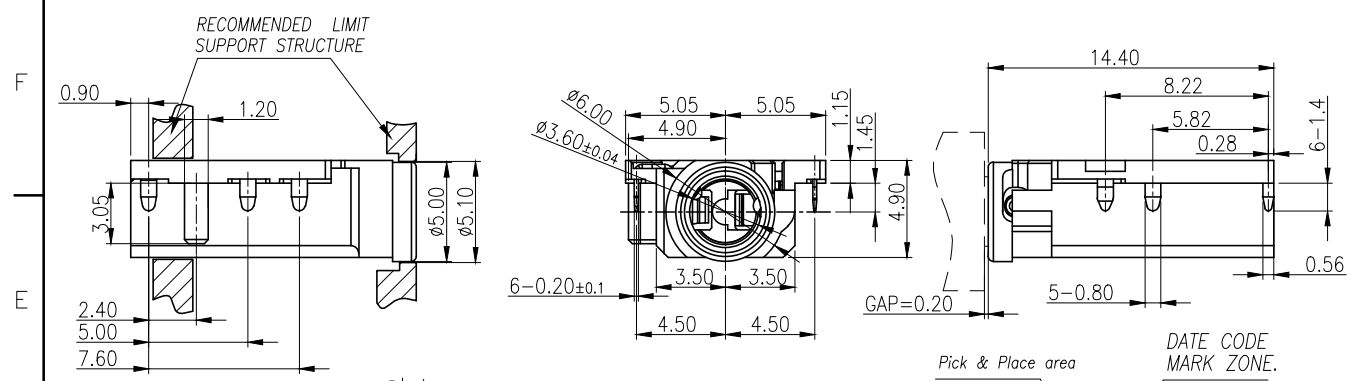
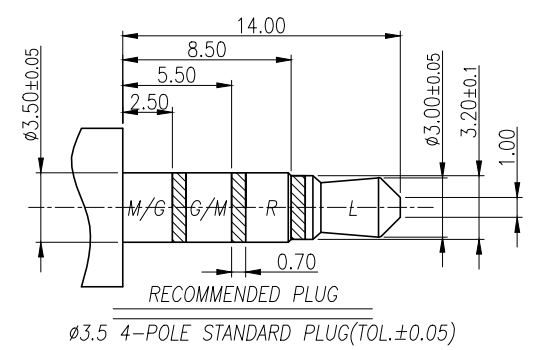


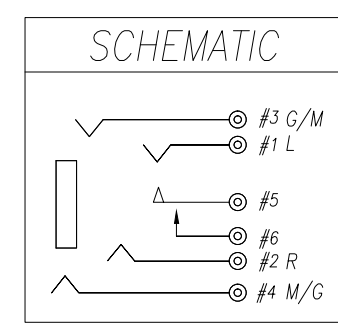
REV.	ECN NO OR DESCRIPTION	REVISED	DATE
A	PDR NO: T200320-2A/2B	Xinzhi	2020.11.20



RECOMMENDED PCB LAYOUT
TOP VIEW ; TOL.±0.05



RECOMMENDED PLUG
ø3.5 4-POLE STANDARD PLUG(TOL.±0.05)



- SPECIFICATIONS:
- ELECTRICAL CHARACTERISTICS:
 - RATING: 12V 1A
 - CONTACT RESISTANCE: 50mΩ MAX.(INITIAL)
 - DIELECTRIC WITHSTANDING VOLTAGE: 500V AC FOR ONE MINUTE.
 - INSULATION RESISTANCE: 100MΩ MIN. MEASURED BY 500 VDC.
 - MECHANICAL CHARACTERISTICS:
 - INITIAL: INSERTION FORCE: 0.8 - 3.0Kgf. WITHDRAWAL FORCE: 0.6 - 1.8Kgf.
 - AFTER 2000 TIMES: INSERTION FORCE: 2.5Kgf Max. WITHDRAWAL FORCE: 0.5Kgf Min.
 - AFTER 3000 TIMES: INSERTION FORCE: 2.5Kgf Max. WITHDRAWAL FORCE: 0.3Kgf Min.
 - LIFE TEST: 2,000 CYCLES. AFTER LIFE TEST, CONTACT RESISTANCE: 100mΩ MAX.
 - PACKAGING : TAPE & REEL.
 - AFTER HUMIDITY TEST, INSULATION RESISTANCE: 50MΩ MIN.
 - TO CONFORM TO SINGATRON HAZARDOUS SUBSTANCE FREE SPEC.
 - HALOGEN FREE PRODUCT IDENTIFICATION MARK ON PRODUCT:
 - HALOGEN FREE PRODUCT IDENTIFICATION LOGO ON PACKAGING:
 - FOR REFLOW SOLDERING LEAD-FREE PROCESS.
 - PRINTED DATE CODE "MMYY" ON TOP OF CONNECTOR.

TABLE 1 :

P/N	PLATING SPEC
2SJ3160-021111F	GOLD FLASH ON CONTACT AREA;
2SJ3160-021211F	Au 30u" Min. ON CONTACT AREA

H	SEPARATOR	1	HIGH TEMP.THERMOPLASTIC UL 94V-0	BLACK
G	TRANSFER TERMINAL	1	PHOSPHOR BRONZE 0.2t	GOLD FLASH ON CONTACT AREA; GOLD FLASH ON SOLDER AREA; ALL OVER 50u" Ni.
F	MAKE TERMINAL	1	PHOSPHOR BRONZE 0.2t	GOLD FLASH ON CONTACT AREA, MATTE TIN 120u" ON SOLDER TAIL; ALL OVER Ni 50 u" Min.
E	TIP SPRING	1	STAINLESS STEEL, 0.2t	SEE TABLE ON CONTACT AREA;
D	RING A	1	PHOSPHOR BRONZE 0.2t	GOLD FLASH ON SOLDER AREA;
C	RING B	1	PHOSPHOR BRONZE 0.2t	ALL OVER 50u" Ni.
B	EARTH	1	PHOSPHOR BRONZE 0.2t	
A	BODY	1	HIGH TEMP.THERMOPLASTIC UL 94V-0	BLACK
NO	DESCRIPTION	QTY	MATERIAL	PLATING & COLOR

UNLESS OTHERWISE SPECIFIED TOLERANCES

Singatron Enterprise Co., Ltd.
信音企業股份有限公司

DECIMALS: ANGLES: TITLE: 3.5ø AUDIO JACK

X	:±0.5	X	:±2°	DWN	Xinzhi	PART NO.2SJ3160-021X11F	
X.X	:±0.3	X.X	:±1°	CHKD	Bruce	SCALE 4:1	UNIT: mm
X.XX	:±0.2			APVD	Liao	SIZE: A3	SHEET:1 OF 1

REV:A

CUSTOMER COPY