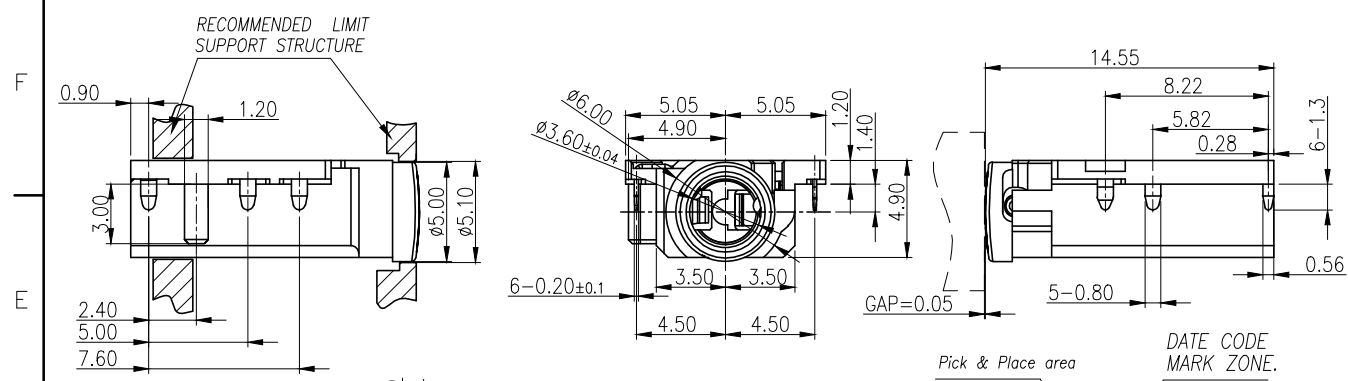
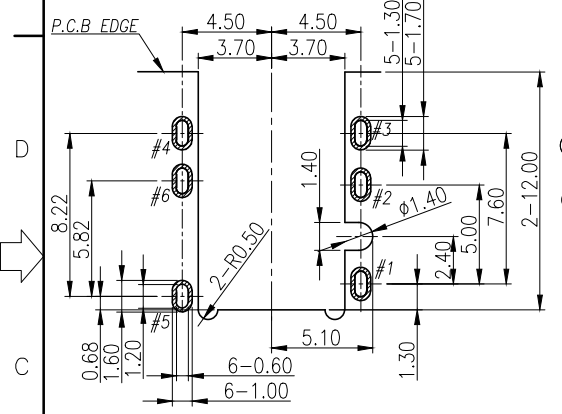


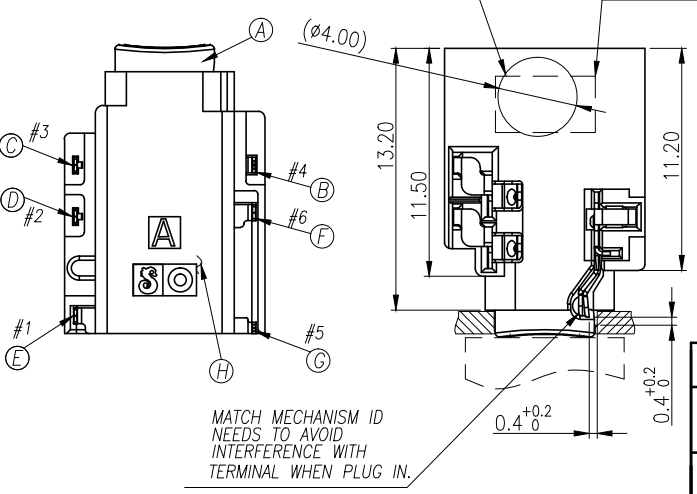
REV.	ECN NO OR DESCRIPTION	REVISED	DATE
A	PDR NO:T200707-5A	Xinzhi	2021.01.25



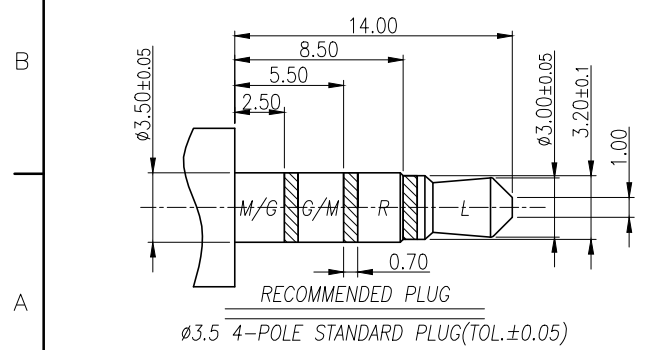
- SPECIFICATIONS:
- ELECTRICAL CHARACTERISTICS:
    - RATING: 12V 1A
    - CONTACT RESISTANCE: 50mΩ MAX.(INITIAL)
    - DIELECTRIC WITHSTANDING VOLTAGE: 500V AC FOR ONE MINUTE.
    - INSULATION RESISTANCE: 100MΩ MIN. MEASURED BY 500 VDC.
  - MECHANICAL CHARACTERISTICS:
    - INITIAL: INSERTION FORCE: 0.8 - 3.0Kgf. WITHDRAWAL FORCE: 0.6 - 1.8Kgf.
    - AFTER 2000 TIMES INSERTION FORCE: 2.5Kgf Max. WITHDRAWAL FORCE: 0.5Kgf Min.
  - LIFE TEST: 2,000 CYCLES. AFTER LIFE TEST, CONTACT RESISTANCE: 100mΩ MAX.
  - PACKAGING : TAPE & REEL.
  - AFTER HUMIDITY TEST, INSULATION RESISTANCE: 50MΩ MIN.
  - TO CONFORM TO SINGATRON HAZARDOUS SUBSTANCE FREE SPEC.
  - HALOGEN FREE PRODUCT IDENTIFICATION MARK ON PRODUCT:
  - HALOGEN FREE PRODUCT IDENTIFICATION LOGO ON PACKAGING:
  - FOR REFLOW SOLDERING LEAD-FREE PROCESS.
  - PRINTED DATE CODE "YYMM" ON TOP OF CONNECTOR.



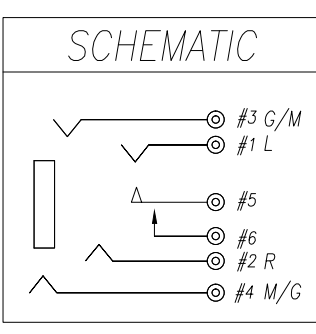
RECOMMENDED PCB LAYOUT  
TOP VIEW ; TOL.±0.05



MATCH MECHANISM ID NEEDS TO AVOID INTERFERENCE WITH TERMINAL WHEN PLUG IN.



RECOMMENDED PLUG  
ø3.5 4-POLE STANDARD PLUG(TOL.±0.05)



H	SEPARATOR	1	HIGH TEMP.THERMOPLASTIC UL 94V-0	BLACK
G	TRANSFER TERMINAL	1	PHOSPHOR BRONZE 0.2t	GOLD FLASH ON CONTACT AREA; GOLD FLASH ON SOLDER AREA; ALL OVER 50u" Ni.
F	MAKE TERMINAL	1	PHOSPHOR BRONZE 0.2t	GOLD FLASH ON CONTACT AREA, MATTE TIN 120u" ON SOLDER TAIL; ALL OVER Ni 50 u" Min.
E	TIP SPRING	1	STAINLESS STEEL, 0.2t	GOLD FLASH ON CONTACT AREA;
D	RING A	1	PHOSPHOR BRONZE 0.2t	GOLD FLASH ON SOLDER AREA;
C	RING B	1	PHOSPHOR BRONZE 0.2t	ALL OVER 50u" Ni.
B	EARTH	1	PHOSPHOR BRONZE 0.2t	
A	BODY	1	HIGH TEMP.THERMOPLASTIC UL 94V-0	BLACK
NO	DESCRIPTION	QTY	MATERIAL	PLATING & COLOR
UNLESS OTHERWISE SPECIFIED TOLERANCES		Singatron Enterprise Co., Ltd. 信音企業股份有限公司		
DECIMALS: ANGLES:		TITLE: 3.5ø AUDIO JACK		
X	:±0.5	X	:±2°	DWN Xinzhi PART NO.2SJ3160-022111F
X.X	:±0.3	X.X	:±1°	CHKD Bruce SCALE 4:1 UNIT: mm
X.XX	:±0.2	APVD	Liao	SIZE: A3 SHEET:1 OF 1 REV:A
<b>CUSTOMER COPY</b>				