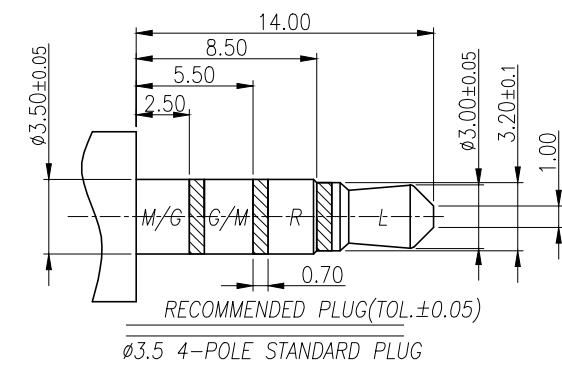
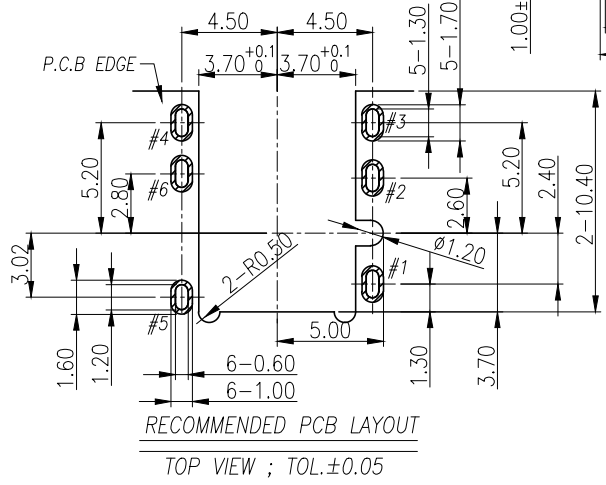
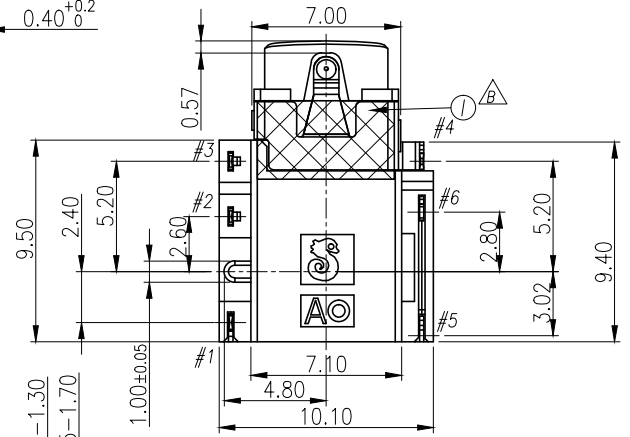
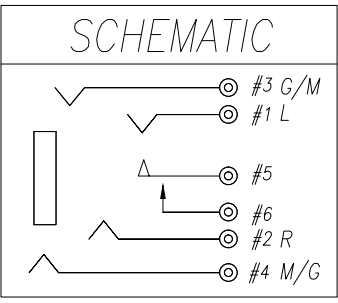
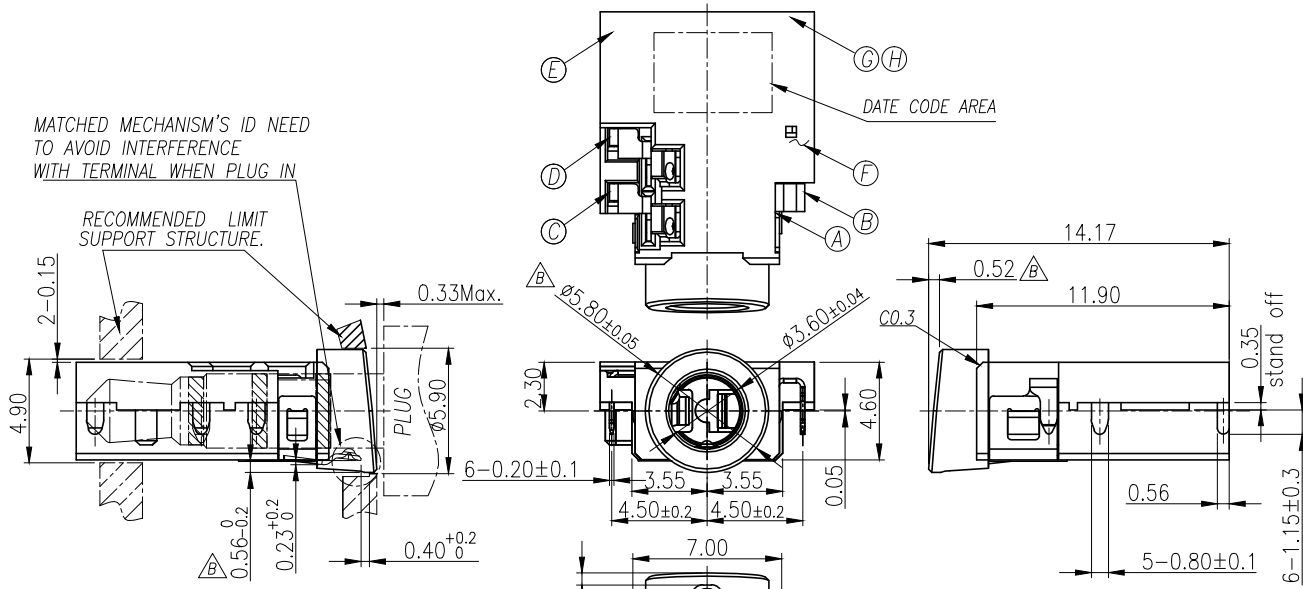


REV.	ECN NO OR DESCRIPTION	REVISED	DATE
A	PDR NO:T210618-2A	Peng	2021.11.06
B	ECN NO:S202305-C18	Jiujian	2023.08.31

SPECIFICATIONS:

1. ELECTRICAL CHARACTERISTICS:
 - 1-1. RATING: 12V 1A
 - 1-2. CONTACT RESISTANCE: 50mΩ MAX.(INITIAL)
 - 1-3. DIELECTRIC WITHSTANDING VOLTAGE: 500V AC FOR ONE MINUTE.
 - 1-4. INSULATION RESISTANCE: 100MΩ MIN. MEASURED BY 500 VDC.
2. MECHANICAL CHARACTERISTICS:
 - 2-1. INSERTION FORCE: 1.0-2.5Kgf (AFTER 5 INSERTION CYCLES);
2.5Kgf MAX. (AFTER LIFE TEST);
 - 2-2. WITHDRAWAL FORCE: 0.6-1.8Kgf (AFTER 5 INSERTION CYCLES);
0.4Kgf MIN. (AFTER LIFE TEST);
3. LIFE TEST: 3,000 CYCLES MIN.
AFTER LIFE TEST, CONTACT RESISTANCE: 50mΩ MAX.
4. MARKING: MARK "S" ON TOP OF CONNECTOR.
5. PACKAGING : TAPE & REEL.
6. AFTER HUMIDITY TEST, INSULATION RESISTANCE: 50MΩ MIN.
7. TO CONFORM TO SINGATRON HAZARDOUS SUBSTANCE FREE SPEC.
8. HALOGEN FREE PRODUCT IDENTIFICATION MARK ON PRODUCT:
9. HALOGEN FREE PRODUCT IDENTIFICATION LOGO ON PACKAGING:
10. FOR REFLOW SOLDERING LEAD-FREE PROCESS.
11. PRINTED DATE CODE "YMD-" ON TOP OF CONNECTOR.



NO	DESCRIPTION	QTY	MATERIAL	PLATING & COLOR
I	Mylar	1	KAPTON	YELLOW
H	SEPARATOR	1	HIGH TEMP.THERMOPLASTIC,UL 94V-0	BLACK
G	TRANSFER TERMINAL	1	PHOSPHOR BRONZE 0.2t	
F	MAKE TERMINAL	1	PHOSPHOR BRONZE 0.2t	
E	TIP SPRING	1	STAINLESS STEEL 0.2t	
D	RING A	1	PHOSPHOR BRONZE 0.2t	
C	RING B	1	PHOSPHOR BRONZE 0.2t	
B	EARTH	1	PHOSPHOR BRONZE 0.2t	
A	BODY	1	HIGH TEMP.THERMOPLASTIC,UL 94V-0	BLACK

UNLESS OTHERWISE SPECIFIED TOLERANCES		Singatron Enterprise Co., Ltd. 信音企業股份有限公司	
DECIMALS:	ANGLES:	TITLE: $\phi 3.5$ AUDIO JACK R/A TYPE	
X :±0.5	X :±2°	DWN	Jiujian PART NO.2SJ3160-027111F
X.X :±0.3	X.X :±1°	CHKD	Bruce SCALE 4:1 UNIT: mm
X.XX :±0.2		APVD	Liao SIZE: A3 SHEET:1 OF 1 REV: B
CUSTOMER COPY			