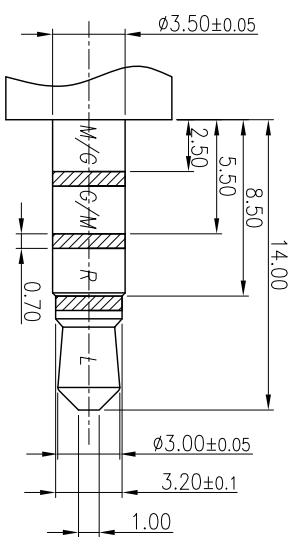
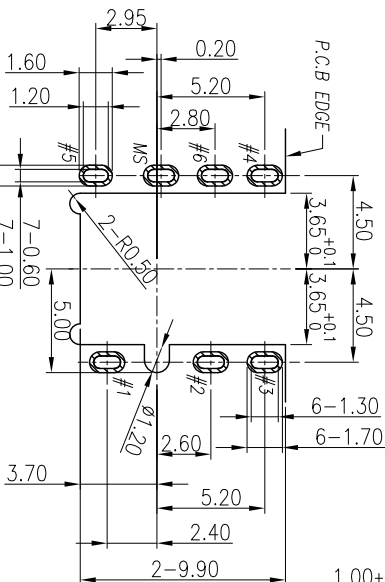
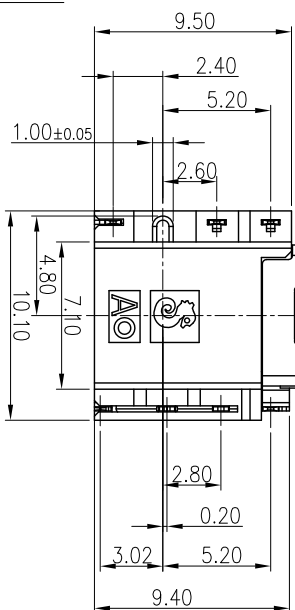
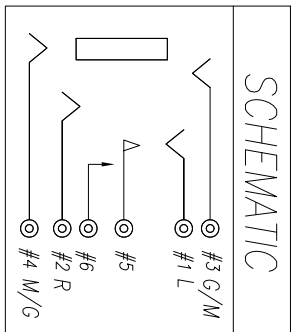
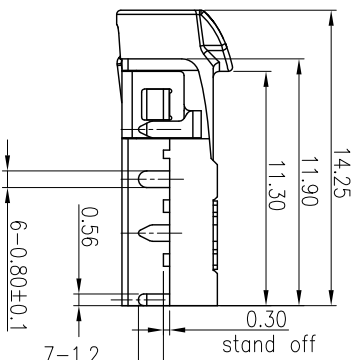
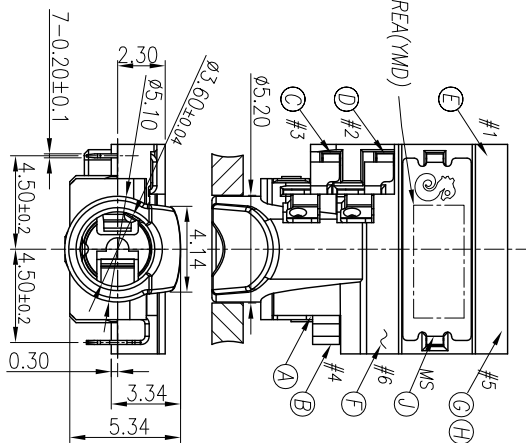
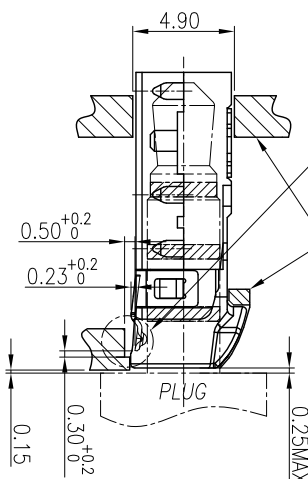


REV.	ECN NO.	OR DESCRIPTION	REVISED	DATE
A	PDR NO:T210907-1A	Jiujian	2021.12.08	

MATCH MECHANISM ID NEEDS TO AVOID INTERFERENCE WITH TERMINAL WHEN PLUG IN.

DATE CODE AREA(YMD)

RECOMMENDED LIMIT SUPPORT STRUCTURE



SPECIFICATIONS:

- ELECTRICAL CHARACTERISTICS:
 - RATING: 12V 1A
 - CONTACT RESISTANCE: 50mΩ MAX.(INITIAL)
 - DIELECTRIC WITHSTANDING VOLTAGE: 500V AC FOR ONE MINUTE.
 - INSULATION RESISTANCE: 100MΩ MIN. MEASURED BY 500 VDC.
- MECHANICAL CHARACTERISTICS:
 - INSERTION FORCE: 0.5~2.2kgf AFTER THE FIFTH TIME; 0.4~2.0kgf AFTER LIFE TEST;
 - WITHDRAWAL FORCE: 0.5~2.0kgf AFTER THE FIFTH TIME; 0.4~2.0kgf AFTER LIFE TEST;
 - LIFE TEST: 5,000 CYCLES MIN.
 - AFTER LIFE TEST, CONTACT RESISTANCE: 100mΩ MAX.
 - PACKAGING : TAPE & REEL.
 - AFTER HUMIDITY TEST, INSULATION RESISTANCE: 50MΩ MIN.
 - OTHER GENERAL SPEC TO REFER "AUDIO JACK FOR ASUS SPEC"
 - TO CONFORM TO SINGATRON HAZARDOUS SUBSTANCE FREE SPEC.
 - HALOGEN FREE PRODUCT IDENTIFICATION MARK ON PRODUCT:
 - HALOGEN FREE PRODUCT IDENTIFICATION LOGO ON PACKAGING:
 - FOR LEAD-FREE PROCESS.
 - PRINTED DATE CODE" " ON TOP OF CONNECTOR.
 - OVERLOADING FORCE < 4KGf

J	SHELL	1	SUS304-1/2H 0.2t	Ni 60u Min.
H	SEPARATOR	1	LCP E130I UL94V-0	BLACK
G	TRANSFER TERMINAL	1	C5210-EH 0.2t	
F	MAKE TERMINAL	1	C5210-EH 0.2t	
E	TIP SPRING	1	SUS304-1/2H 0.2t	
D	RING A	1	C5210-EH 0.2t	GOLD FLASH ON CONTACT AREA; GOLD FLASH ON SOLDER AREA; ALL OVER 50u Ni.
C	RING B	1	C5210-EH 0.2t	
B	EARTH	1	C5210-EH 0.2t	
A	BODY	1	PA4(TX1) UL94V-0	BLACK
NO	DESCRIPTION	QTY	MATERIAL	PLATING & COLOR
UNLESS OTHERWISE SPECIFIED TOLERANCES				
Singatron Enterprise Co., Ltd. 信晉企業股份有限公司				

DECIMALS: :±0.5 X :±2
X.X :±0.3 X.X :±1°
X.XX :±0.2

RECOMMENDED PLUG (TOL.±0.05)
Ø3.5 4-POLE STANDARD PLUG

RECOMMENDED PCB LAYOUT
TOP VIEW : TOL.±0.05

A B C D E F

1

2

3

4

5

6

7

8

A