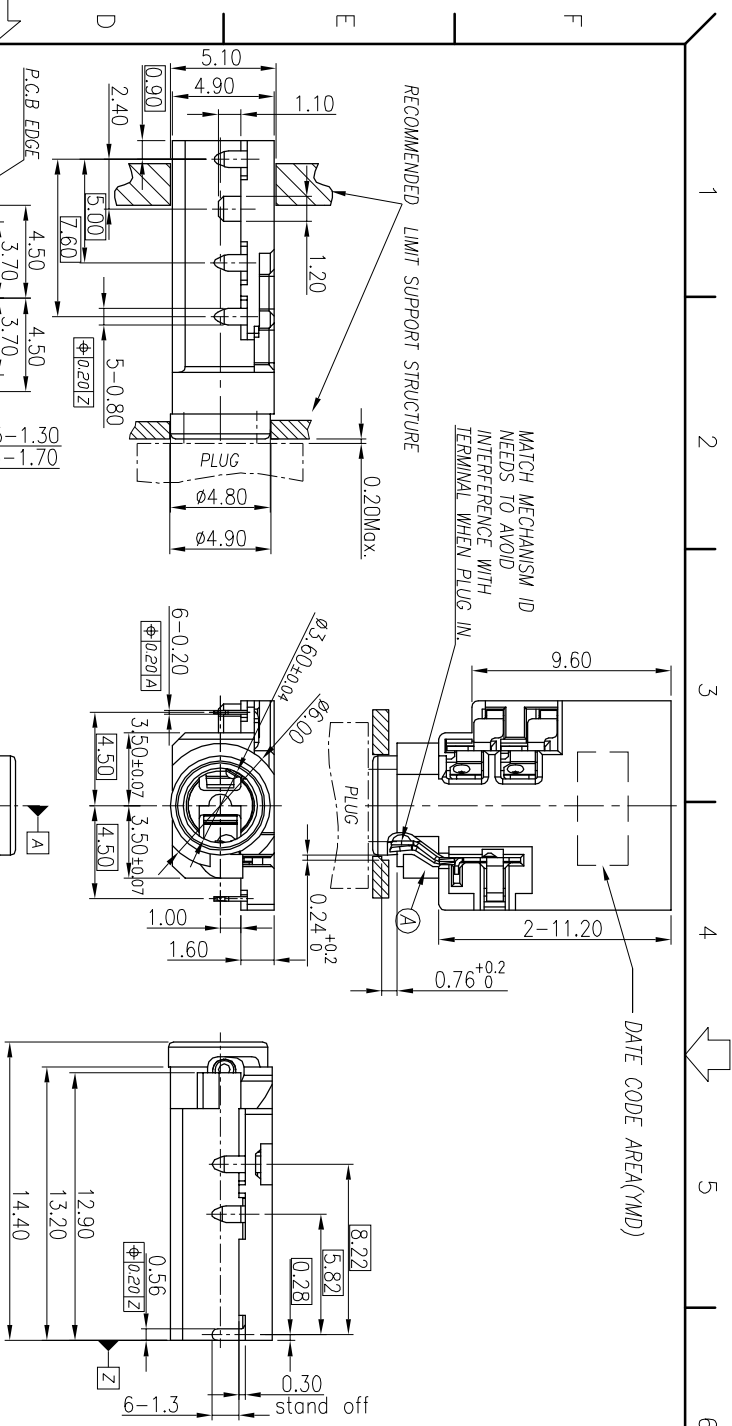


REV	ECN NO	OR DESCRIPTION	REVISED	DATE
A	PDR NO:1211208-2A	JIELIN	2022.07.04	

DATE CODE AREA(YMD)

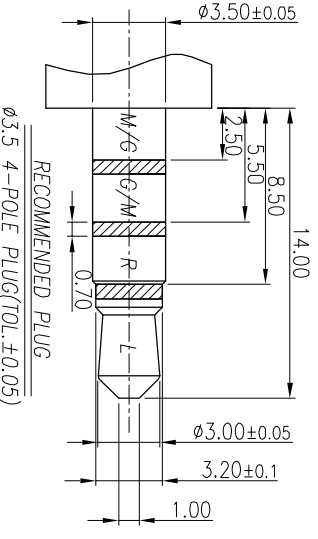
MATCH MECHANISM ID NEEDS TO AVOID INTERFERENCE WITH TERMINAL WHEN PLUG IN.

RECOMMENDED LIMIT SUPPORT STRUCTURE

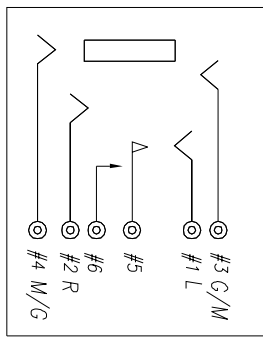


- SPECIFICATIONS:
- ELECTRICAL CHARACTERISTICS:
 - RATING: 12V 1A
 - CONTACT RESISTANCE: 50mΩ MAX. (INITIAL)
 - DIELECTRIC WITHSTANDING VOLTAGE: 500V AC FOR ONE MINUTE.
 - INSULATION RESISTANCE: 100MΩ MIN. MEASURED BY 500 VDC.
 - MECHANICAL CHARACTERISTICS:
 - INSERTION FORCE: 1.0-2.5kgf (AFTER 5 INSERTION CYCLES); 2.5kgf MAX. (AFTER LIFE TEST);
 - WITHDRAWAL FORCE: 0.6-1.8kgf (AFTER 5 INSERTION CYCLES); 0.4kgf MIN. (AFTER LIFE TEST);
 - LIFE TEST: 3,000 CYCLES MIN. AFTER LIFE TEST, CONTACT RESISTANCE: 100mΩ MAX.
 - PACKAGING : TAPE & REEL.
 - AFTER HUMIDITY TEST, INSULATION RESISTANCE: 50MΩ MIN.
 - TO CONFORM TO SINGATRON HAZARDOUS SUBSTANCE FREE SPEC.
 - HALOGEN FREE PRODUCT IDENTIFICATION MARK ON JACK:
 - HALOGEN FREE PRODUCT IDENTIFICATION LABEL ON PACKAGING:
 - PRINTED DATE CODE "YMD" ON TOP OF CONNECTOR.

RECOMMENDED PCB LAYOUT
TOP VIEW ; TOL.±0.05



SCHEMATIC



H	SEPARATOR	1	HIGH TEMP.THERMOPLASTIC UL 94V-0	BLACK
G	TRANSFER TERMINAL	1	COPPER ALLOY, 0.2T	1-3μm GOLD PLATING ON CONTACT AREA 1-3μm GOLD PLATING ON SOLDER THE AREA AND 5μm Ni INKED UNDERPLATING.
F	MAKE TERMINAL	1	COPPER ALLOY, 0.2T	1-3μm GOLD PLATING ON CONTACT AREA WITH 10-20μm PLATING ON SOLDER THE AREA AND 5μm Ni INKED UNDERPLATING.
E	TIP SPRING	1	STAINLESS STEEL, 0.2T	3μm GOLD PLATING ON CONTACT AREA
D	RING A	1	COPPER ALLOY, 0.2T	1-3μm GOLD PLATING ON SOLDER THE AREA
C	RING B	1	COPPER ALLOY, 0.2T	AND 5μm Ni INKED UNDERPLATING.
B	EARTH	1	COPPER ALLOY, 0.2T	
A	BODY	1	HIGH TEMP.THERMOPLASTIC UL 94V-0	BLACK
NO	DESCRIPTION	QTY	MATERIAL	PLATING & COLOR
UNLESS OTHERWISE SPECIFIED TOLERANCES				
Singatron Enterprise Co., Ltd. 信善企業股份有限公司				
TITLE: 3.5Ø AUDIO JACK				
DWN	JIELIN	PART NO.2S3J160-033211F	SCALE 4:1	UNIT: mm
CHKD	Bruce			
APVD	Lioo	SIZE: A3	SHEET: 1 OF 1	REV: A
CUSTOMER COPY(FOR GOOGLE)				

A

B

C

D

E

F

1

2

3

4

5

6

7

8