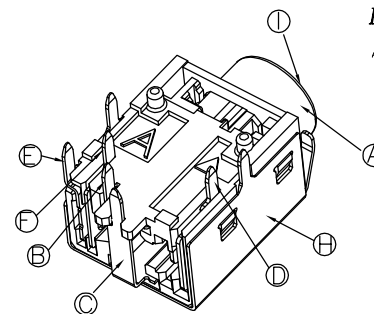
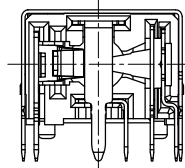
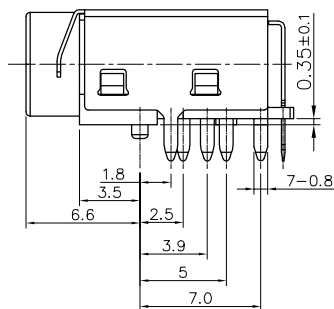
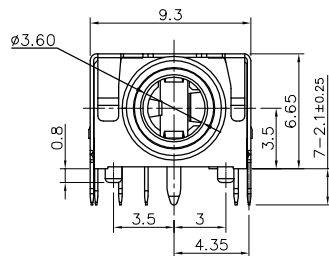
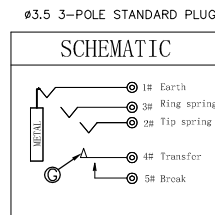
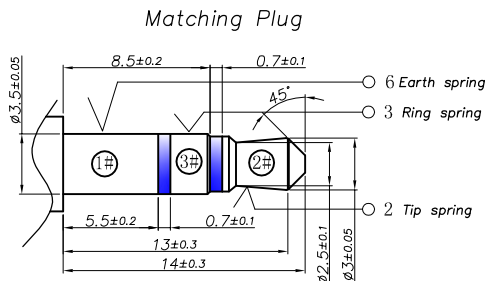
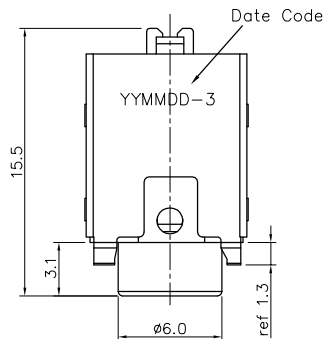


REV.	ECN NO OR DESCRIPTION	REVISED	DATE
A	PDR RELEASE	IVY-C	2015.06.15

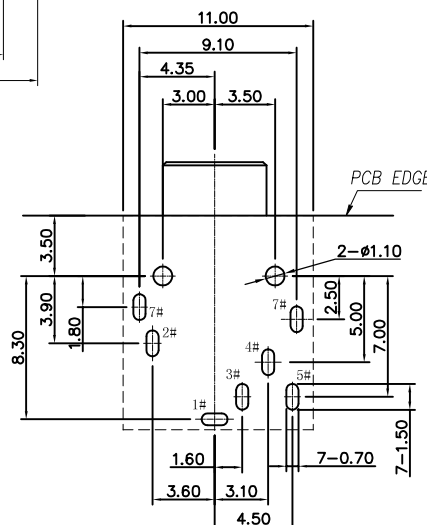
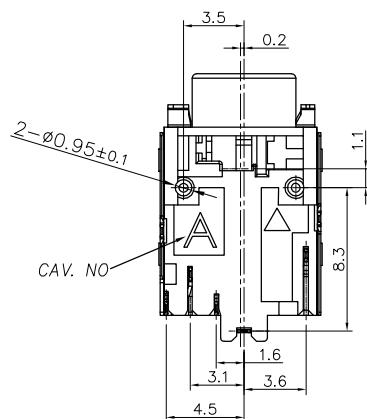
SPECIFICATIONS:

- ELECTRICAL CHARACTERISTICS:
 - CURRENT RATING: 1 AMP.
 - VOLTAGE RATING: DC 12V
 - CONTACT RESISTANCE: 50mΩ MAX.
 - INSULATION RESISTANCE: 100MΩ MIN. @ 500V DC.
 - DIELECTRIC WITHSTANDING VOLTAGE: 500V AC FOR 1 MINUTE.
- MECHANICAL CHARACTERISTICS:
 - INSERTION FORCE: 3~30N
 - WITHDRAWAL FORCE: 3~30N
- LIFE TEST: 5,000 CYCLES.
- TO CONFORM TO THE SINGATRON HAZARDOUS SUBSTANCE FREE SPEC.
- HALOGEN FREE PRODUCT IDENTIFICATION LABEL ON PACKAGING:
- PACKAGE: SEE "2SJ3161 SERIES" PACKAGE.
- FOR WAVE SOLDERING LEAD-FREE PROCESS.
- OTHER GENERAL SPEC. TO REFER "2SJ3161 SERIES SPEC"



PART NO.
2SJ3161-000111F

- SUFFIX: HALOGEN FREE
- Poles
1: 3-POLE
- HOUSING COLOR
1: BLACK
- CONTACT PLATING
1: GOLD FLASH ON CONTACT AREA,
80u" MATTE TIN ON SOLD TAIL,
Ni 50u" Min OVER ALL.



RECOMMENDED PCB LAYOUT (TOP VIEW)
TOLERANCE: ±0.05mm

NO	DESCRIPTION	QTY	MATERIAL	PLATING & COLOR
I	Metal	1	BRASS	NICKEL
H	Shielding	1	SUS301 0.2T	NICKEL
G	Separator	1	HIGH TEMP. THERMOPLASTIC	BLACK
F	Transfer	1	Phosphor bronze t=0.20	GOLD FLASH ON CONTACT AREA AND SOLD TAIL, Ni 50u" MIN OVER ALL
E	Make terminal	1	Phosphor bronze t=0.20	GOLD FLASH ON CONTACT AREA, 80u" MATTE TIN ON SOLD TAIL, Ni 50u" MIN OVER ALL
D	Tip spring	1	Phosphor bronze t=0.25	
C	Earth	1	Phosphor bronze t=0.20	
B	Ring	1	Phosphor bronze t=0.20	BLACK
A	Housing	1	PPA 30% GF, UL94V-0	

UNLESS OTHERWISE SPECIFIED TOLERANCES		Singatron Enterprise Co., Ltd. 信音企業股份有限公司	
DECIMALS:	ANGLES:	TITLE	3.5φ PHONE JACK, R/A, DIP TYPE
X : ±0.5	X : ±2°	DWN	IVY-C 2015.06.15 PART NO. 2SJ3161-000111F
X.X : ±0.3	X.X : ±1°	CHKD	ANGELA2015.06.15 SCALE 4:1 UNIT: mm
X.XX : ±0.2		APVD	ANGELA2015.06.15 SIZE: A3 SHEET: 1 OF 1 REV: A

CUSTOMER COPY