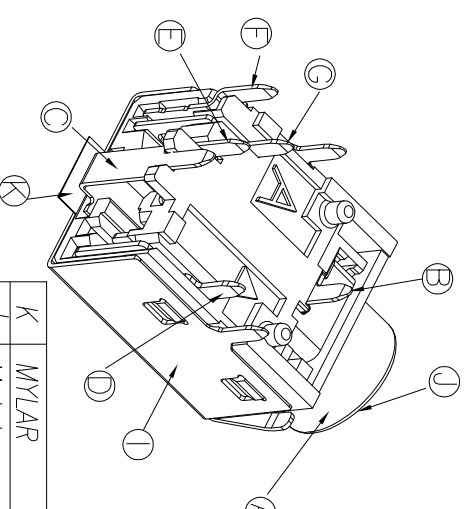
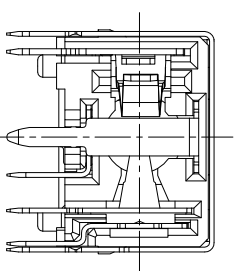
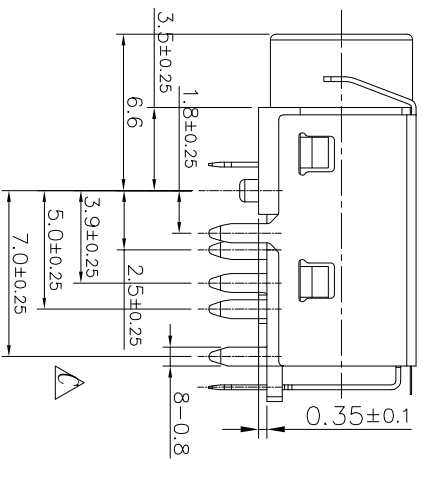
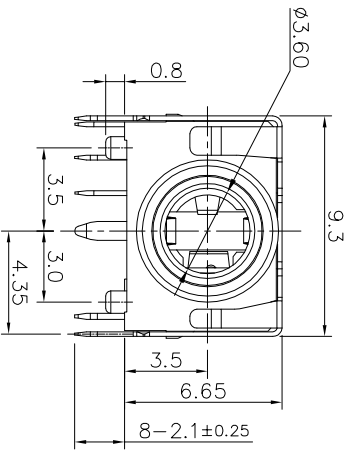


Ø3.5 4-POLE STANDARD PLUG

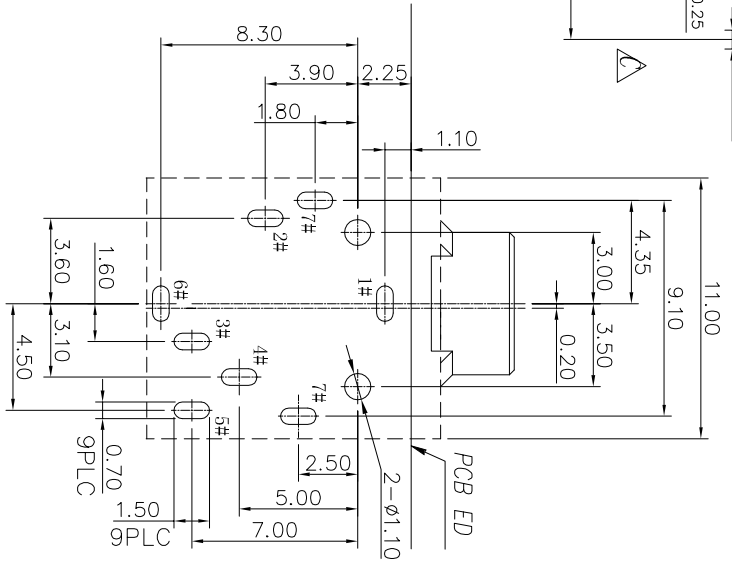
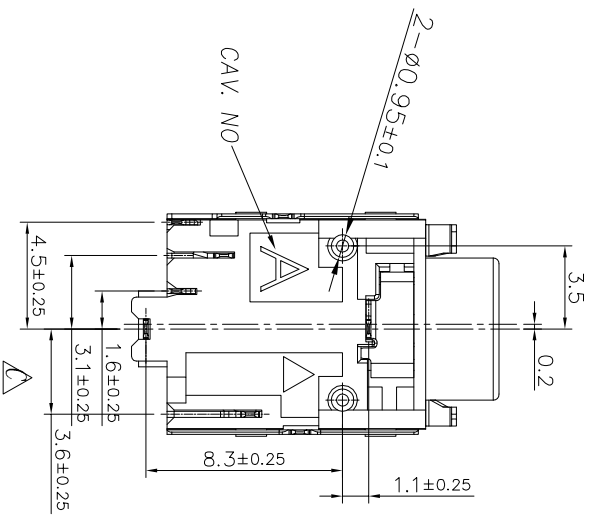
SPECIFICATIONS:

1. ELECTRICAL CHARACTERISTICS:
 - 1-1. CURRENT RATING: 1 AMP.
 - 1-2. VOLTAGE RATING: DC 12V
 - 1-3. CONTACT RESISTANCE: 50mΩ MAX.
 - 1-4. INSULATION RESISTANCE: 100MΩ MIN. @ 500V DC.
 - 1-5. DIELECTRIC WITHSTANDING VOLTAGE: 500V AC FOR 1 MINUTE.
2. MECHANICAL CHARACTERISTICS:
 - 2-1. INSERTION FORCE: 3~30N
 - 2-2. WITHDRAWAL FORCE: 3~30N
3. LIFE TEST: 5,000 CYCLES.
4. TO CONFORM TO THE SINGATRON HAZARDOUS SUBSTANCE FREE SPEC.
5. HALOGEN FREE PRODUCT IDENTIFICATION LABEL ON PACKAGING:
6. PACKAGE: SEE "2SJ3161 SERIES" PACKAGE.
7. FOR WAVE SOLDERING LEAD-FREE PROCESS.
8. OTHER GENERAL SPEC. TO REFER "2SJ3161-000112F SPEC"



PART NO.
2SJ3161-000112F

SUFFIX: HALOGEN FREE
 Poles
 2: 4-POLE
 HOUSING COLOR
 1: BLACK
 CONTACT PLATING
 1: GOLD FLASH ON CONTACT AREA,
 80U" MATTE TIN ON SOLD TAIL,
 NI 50U" MIN OVER ALL.



PCB HOLES(TOP VIEW) t=1.6mm
 SOLDER PASTES THICKNESS: 0.12mm Min
 NOTE: GENERAL TOLERANCE: ±0.05mm

REV.	ECN NO OR DESCRIPTION	REVISED	DATE
A	PDR RELEASE	IVY-C	2015.06.15
B	ECN NO: L170056	EVEN	2017.06.15
C	ECN NO: L170094	EVEN	2017.10.30

NO	DESCRIPTION	QTY	MATERIAL	PLATING & COLOR
A	Housing	1	PA10T UL 94V-0	BLACK
B	Ring A	1	C5210 t=0.20	GOLD FLASH ON CONTACT AREA, 80U" MATTE TIN ON SOLD TAIL, NI 50U" MIN OVER ALL
C	Earth-A	1	C5210 t=0.20	GOLD FLASH ON CONTACT AREA, 80U" MATTE TIN ON SOLD TAIL, NI 50U" MIN OVER ALL
D	Tip spring	1	C5210 t=0.25	GOLD FLASH ON CONTACT AREA, 80U" MATTE TIN ON SOLD TAIL, NI 50U" MIN OVER ALL
E	Ring B	1	C5210 t=0.20	GOLD FLASH ON CONTACT AREA, 80U" MATTE TIN ON SOLD TAIL, NI 50U" MIN OVER ALL
F	Make terminal	1	C5210 t=0.20	GOLD FLASH ON CONTACT AREA, 80U" MATTE TIN ON SOLD TAIL, NI 50U" MIN OVER ALL
G	Transfer	1	C5210 t=0.20	GOLD FLASH ON CONTACT AREA, 80U" MATTE TIN ON SOLD TAIL, NI 50U" MIN OVER ALL
H	Separator	1	PA9T UL94-HB	BLACK
I	Shielding	1	SUS301 0.2T	NICKEL
J	Metal	1	H59-3	NICKEL
K	MYLAR	1		YELLOW

DECIMALS:	ANGLES:	TITLE
X : ±0.5	X : ±2°	3.5Ø PHONE JACK, R/A, DIP TYPE
X.X : ±0.3	X.X : ±1°	PART NO. 2SJ3161-000112F
X.XX : ±0.2		SCALE 4:1 UNIT: mm

APVD	ANGEL	DATE	SIZE	SHEET	REV.
ANGEL	ANGEL	2017.10.30	A3	1 OF 1	C

CUSTOMER COPY

Singatron Enterprise Co., Ltd.
 信音企業股份有限公司