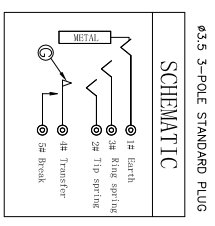
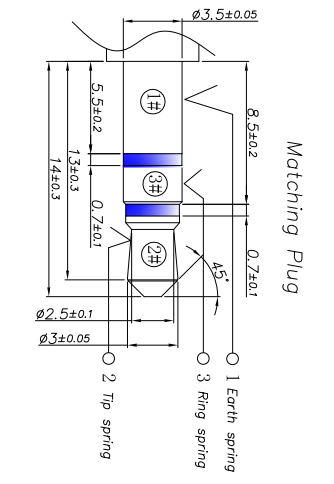
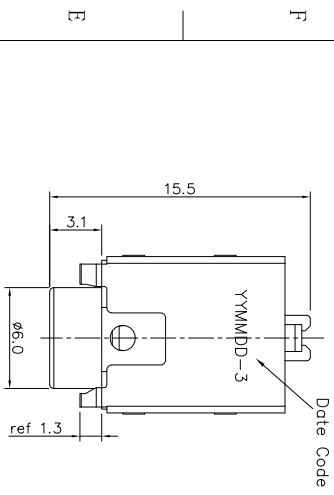
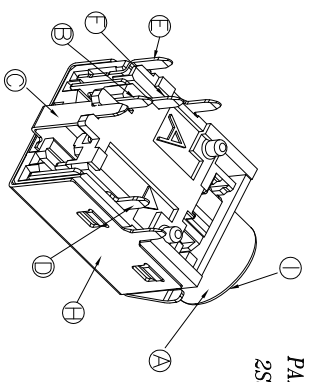
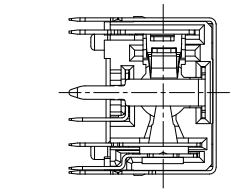
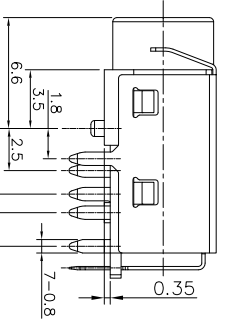
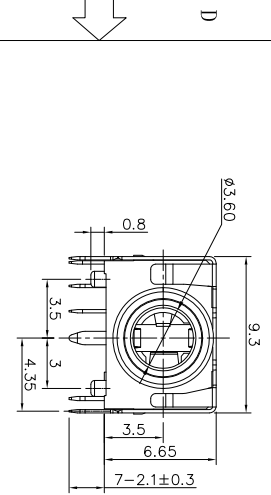


REV.	ECN NO OR DESCRIPTION	REVISED	DATE
A	PDR RELEASE	EVEN	2021.09.08



- SPECIFICATIONS:**
- ELECTRICAL CHARACTERISTICS:
 - CURRENT RATING: 1 AMP.
 - VOLTAGE RATING: DC 12V
 - CONTACT RESISTANCE: 50mΩ MAX.
 - INSULATION RESISTANCE: 100MΩ MIN. @ 500V DC.
 - DIELECTRIC WITHSTANDING VOLTAGE: 500V AC FOR 1 MINUTE.
 - MECHANICAL CHARACTERISTICS:
 - INSERTION FORCE: 3~30N
 - WITHDRAWAL FORCE: 3~30N
 - LIFE TEST: 5,000 CYCLES.
 - TO CONFORM TO THE SINGAPORE HAZARDOUS SUBSTANCE FREE SPEC.
 - HALOGEN FREE PRODUCT IDENTIFICATION LABEL ON PACKAGING:
 - PACKAGE: SEE "2SJ3161-002111F" PACKAGE.
 - FOR REFLOW SOLDERING LEAD-FREE PROCESS.
 - OTHER GENERAL SPEC. TO REFER "2SJ3161-002111F SPEC"

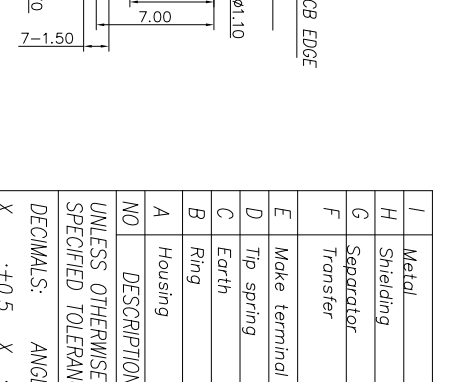
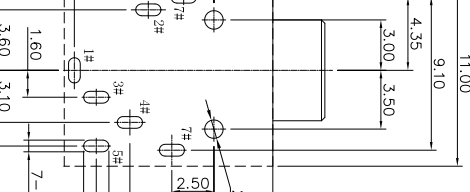
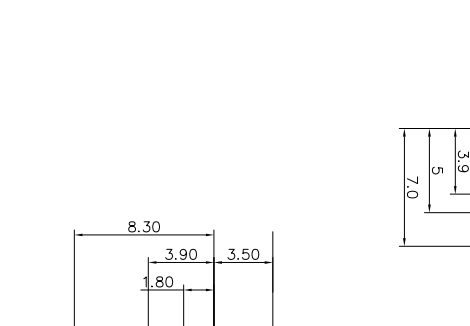
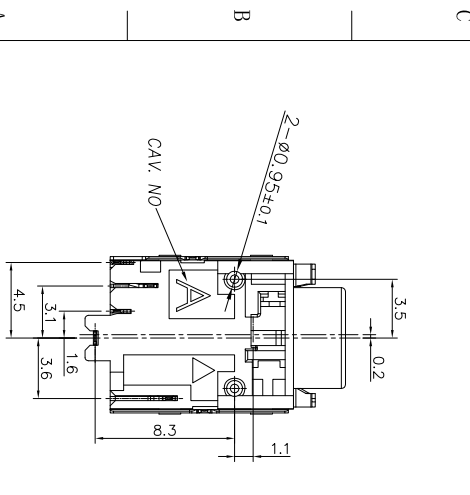


PART NO.
2SJ3161-002111F

SUFFIX: HALOGEN FREE

Poles
1: 3-POLE
HOUSING COLOR
1: BLACK

CONTACT PLATING
1: GOLD FLASH ON CONTACT AREA,
80U" MATTE TIN ON SOLD TAIL,
NI 50U" MIN OVER ALL.



RECOMMENDED PCB LAYOUT (TOP VIEW)
TOLERANCE: ±0.05mm

I	Metal	1	BRASS	NI 60U" MIN
H	Shielding	1	SUS301 0.2T	NI 60U" MIN
G	Separator	1	HIGH TEMP. THERMOPLASTIC	BLACK
F	Transfer	1	Phosphor bronze t=0.20	GOLD FLASH ON CONTACT AREA AND SOLD TAIL NI 50U" MIN OVER ALL
E	Make terminal	1	Phosphor bronze t=0.20	
D	Tip spring	1	Phosphor bronze t=0.25	GOLD FLASH ON CONTACT AREA, 80U" MATTE TIN ON SOLD TAIL, NI 50U" MIN OVER ALL
C	Earth	1	Phosphor bronze t=0.20	
B	Ring	1	Phosphor bronze t=0.20	
A	Housing	1	PA10T 30% GF, UL94V-0	BLACK
NO	DESCRIPTION	QTY	MATERIAL	PLATING & COLOR

UNLESS OTHERWISE SPECIFIED TOLERANCES

DECIMALS: ANGLES:
X :±0.5 X :±2°
X.X :±0.3 X.X :±1°
X.XX :±0.2

信音科技(香港)有限公司

TITLE	3.5Ø PHONE JACK, R/A, DIP TYPE		
DWN	PRN 2021.09.08	PART NO.	2SJ3161-002111F
CHKD		SCALE	4:1 UNIT: mm
APVD	HWZ142021.09.08	SIZE: A3	SHEET: 1 OF 1 REV:A

CUSTOMER COPY