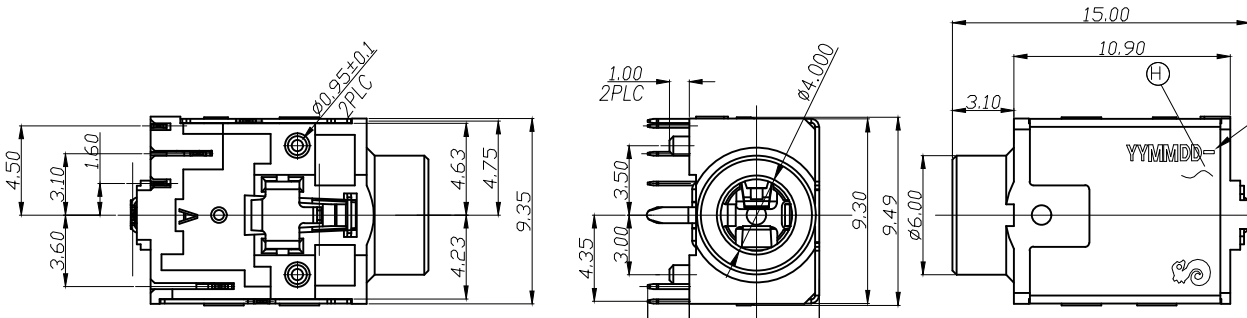
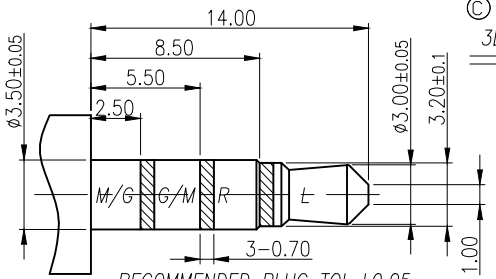
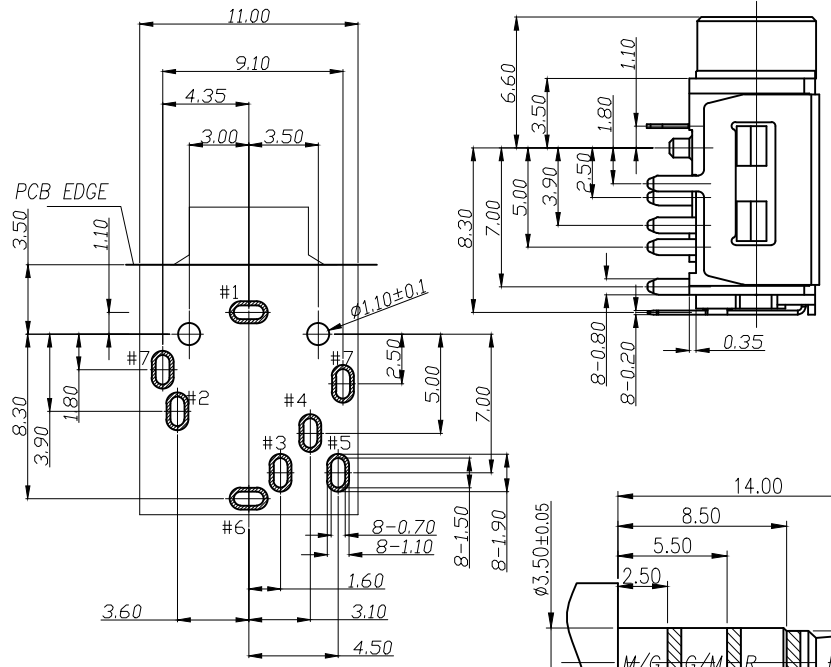
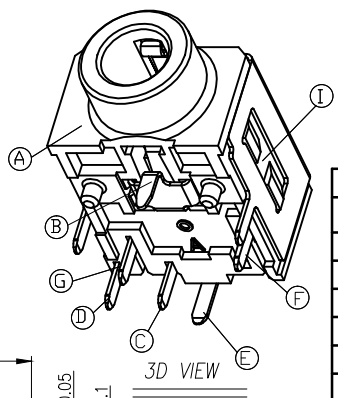
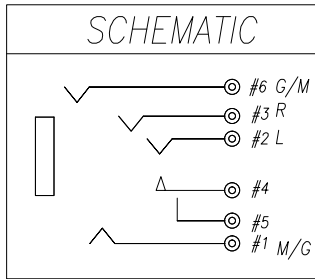


REV.	ECN NO OR DESCRIPTION	REVISED	DATE
A	PDR NO: T170908-3A	Steven	2018.05.11



- DATE CODE.
- SPECIFICATIONS:
- ELECTRICAL CHARACTERISTICS:
 - RATING: 12V 1A
 - CONTACT RESISTANCE: 60mΩ MAX.(INITIAL)
 - DIELECTRIC WITHSTANDING VOLTAGE: 500V AC FOR ONE MINUTE.
 - INSULATION RESISTANCE: 100MΩ MIN. MEASURED BY 500 VDC.
 - MECHANICAL CHARACTERISTICS:
 - INSERTION FORCE: 0.3-3.0Kg
 - WITHDRAWAL FORCE: 0.3-3.0Kg
 - LIFE TEST: 5,000 CYCLES MIN.
AFTER LIFE TEST, CONTACT RESISTANCE: 100mΩ MAX.
 - PACKAGING : TAPE & REEL.
 - AFTER HUMIDITY TEST, INSULATION RESISTANCE: 50MΩ MIN.
 - TO CONFORM TO SINGATRON HAZARDOUS SUBSTANCE FREE SPEC.
 - HALOGEN FREE PRODUCT IDENTIFICATION MARK ON PRODUCT:
 - HALOGEN FREE PRODUCT IDENTIFICATION LOGO ON PACKAGING:
 - FOR LEAD-FREE PROCESS.
 - PRINTED DATE CODE "YYMMDD-" ON TOP OF CONNECTOR.



NO	DESCRIPTION	QTY	MATERIAL	PLATING & COLOR
I	SHELL	1	SUS 304 0.2T	Ni 60u" MIN.
H	SEPARATOR	1	HIGH TEMP.THERMOPLASTIC UL 94V-0	BLACK
G	TRANSFER TERMINAL	1	PHOSPHOR BRONZE 0.2t	GOLD FLASH ON CONTACT AREA GOLD FLASH ON SOLDER TAIL ALL OVER 50u" Ni.
F	TIP SPRING	1	SUS 304 0.25t	
E	EARTH	1	PHOSPHOR BRONZE 0.2t	GOLD FLASH ON CONTACT AREA 120u" Matte Sn ON SOLDER ALL OVER 50u" Ni.
D	MAKE TERMINAL	1	PHOSPHOR BRONZE 0.2t	
C	RING-B	1	PHOSPHOR BRONZE 0.2t	
B	RING-A	1	PHOSPHOR BRONZE 0.2t	
A	BODY	1	HIGH TEMP.THERMOPLASTIC UL 94V-0	BLACK

UNLESS OTHERWISE SPECIFIED TOLERANCES		Singatron Enterprise Co., Ltd. 信音企業股份有限公司	
DECIMALS:	ANGLES:	TITLE	
X :±0.5	X :±2°	Ø3.50 AUDIO JACK	
X.X :±0.3	X.X :±1°	DWN Steven	PART NO. 2SJ3161-003111F
X.XX :±0.2		CHKD Bruce	SCALE:4:1 UNIT: mm
		APVD Liao	SIZE: A3 SHEET:1 OF 1 REV: A
CUSTOMER COPY			