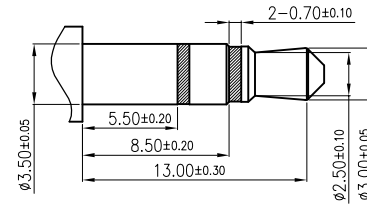
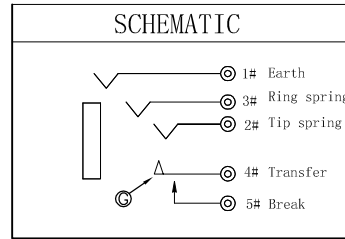
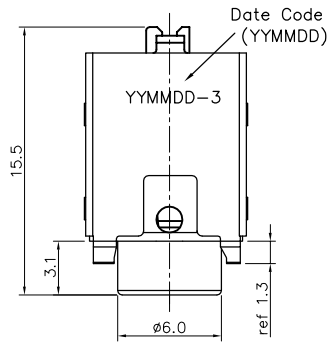


REV.	ECN NO OR DESCRIPTION	REVISED	DATE
A	PDR RELEASE	IVY-C	2015.11.05



$\phi 3.5$ 3POLE PLUG
RECOMMENDED PLUG

SPECIFICATIONS:

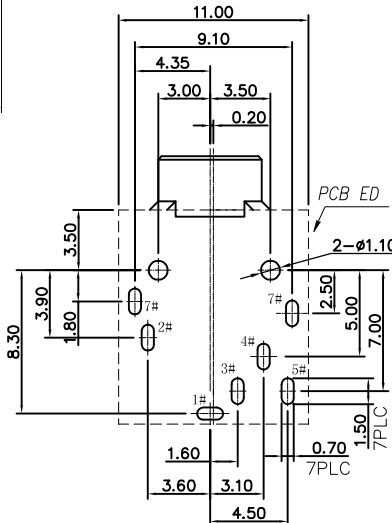
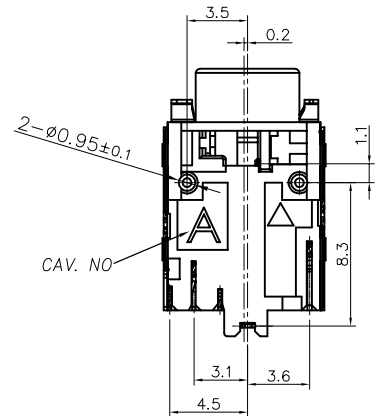
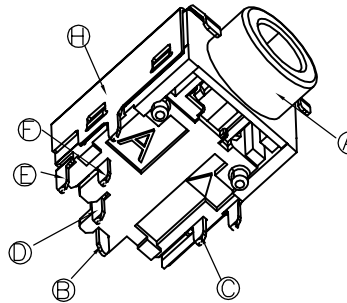
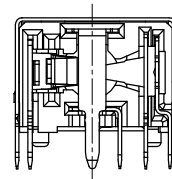
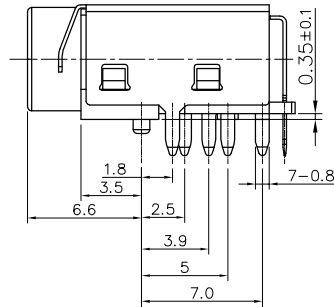
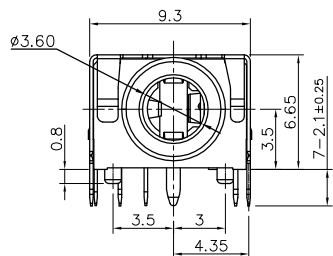
- ELECTRICAL CHARACTERISTICS:**
 - 1-1. CURRENT RATING: 1 AMP.
 - 1-2. VOLTAGE RATING: DC 12V
 - 1-3. CONTACT RESISTANCE: 50m Ω MAX.
 - 1-4. INSULATION RESISTANCE: 100M Ω MIN. @ 500V DC.
 - 1-5. DIELECTRIC WITHSTANDING VOLTAGE: 500V AC FOR 1 MINUTE.
- MECHANICAL CHARACTERISTICS:**
 - 2-1. INSERTION FORCE: 3~30N
 - 2-2. WITHDRAWAL FORCE: 3~30N
- LIFE TEST:** 5,000 CYCLES.
- TO CONFORM TO THE SINGATRON HAZARDOUS SUBSTANCE FREE SPEC.**
- HALOGEN FREE PRODUCT IDENTIFICATION LABEL ON PACKAGING:**
- PACKAGE:** SEE "2SJ3161 SERIES" PACKAGE.
- FOR WAVE SOLDERING LEAD-FREE PROCESS.**
- OTHER GENERAL SPEC. TO REFER "2SJ3161 SERIES SPEC"**

PART NO.

2SJ3161-100111F

SUFFIX: HALOGEN FREE

- Poles
- 1: 3-POLE
- HOUSING COLOR
- 1: BLACK
- CONTACT PLATING
- 1: GOLD FLASH ON CONTACT AREA, 80u" MATTE TIN ON SOLD TAIL, Ni 50u" Min OVER ALL.



RECOMMENDED PCB LAYOUT (TOP VIEW)
TOLERANCE: ± 0.05 mm

NO	DESCRIPTION	QTY	MATERIAL	PLATING & COLOR
H	Shielding	1	SUS301 0.2T	NICKEL
G	Separator	1	HIGH TEMP. THERMOPLASTIC	BLACK
F	Transfer	1	Phosphor bronze t=0.20	GOLD FLASH ON CONTACT AREA AND SOLD TAIL, Ni 50u" MIN OVER ALL
E	Make terminal	1	Phosphor bronze t=0.20	GOLD FLASH ON CONTACT AREA, 80u" MATTE TIN ON SOLD TAIL, Ni 50u" MIN OVER ALL
D	RING B	1	Phosphor bronze t=0.20	
C	TIP SPRING	1	Phosphor bronze t=0.25	
B	EARTH A	1	Phosphor bronze t=0.20	
A	Housing	1	PPA 30% GF, UL94V-0	BLACK

UNLESS OTHERWISE SPECIFIED TOLERANCES

Singatron Enterprise Co., Ltd.
信音企業股份有限公司

DECIMALS:	ANGLES:	TITLE		
X : ± 0.5	X : $\pm 2^\circ$	3.5 ϕ PHONE JACK, R/A, DIP TYPE		
X.X : ± 0.3	X.X : $\pm 1^\circ$	DWN IVY-C 2015.11.05	PART NO. 2SJ3161-100111F	
X.XX : ± 0.2		CHKD ANGELA2015.11.05	SCALE 4:1	UNIT: mm
		APVD ANGELA2015.11.05	SIZE: A3	SHEET: 1 OF 1

CUSTOMER COPY