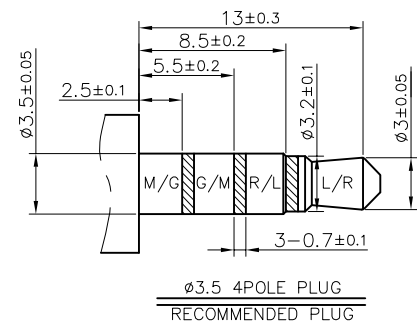
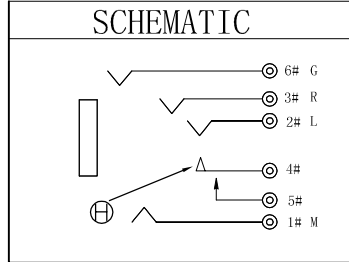
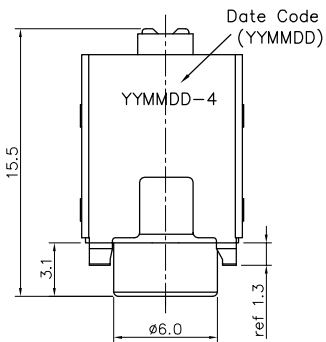


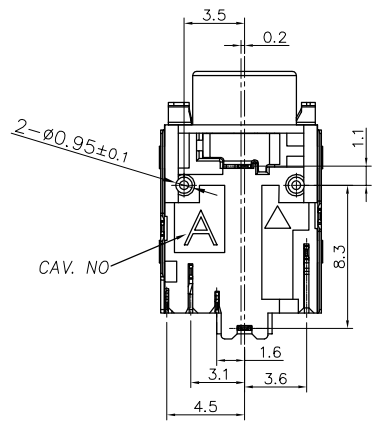
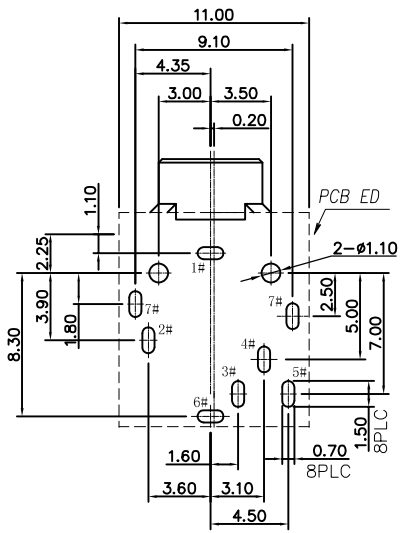
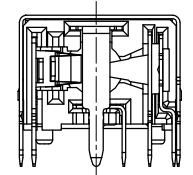
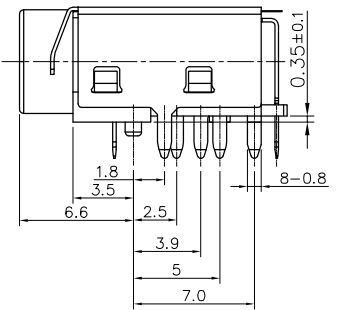
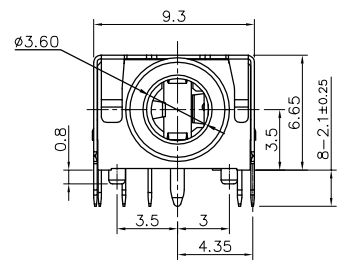
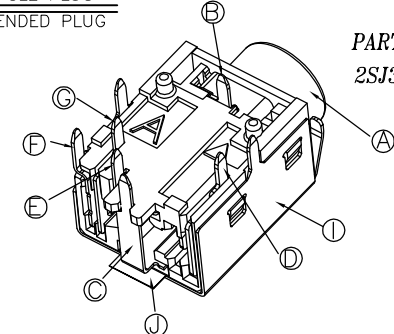
REV.	ECN NO OR DESCRIPTION	REVISED	DATE
A	PDR RELEASE	IVY-C	2015.11.05



- SPECIFICATIONS:
- ELECTRICAL CHARACTERISTICS:
 - CURRENT RATING: 1 AMP.
 - VOLTAGE RATING: DC 12V
 - CONTACT RESISTANCE: 50mΩ MAX.
 - INSULATION RESISTANCE: 100MΩ MIN. @ 500V DC.
 - DIELECTRIC WITHSTANDING VOLTAGE: 500V AC FOR 1 MINUTE.
 - MECHANICAL CHARACTERISTICS:
 - INSERTION FORCE: 3~30N
 - WITHDRAWAL FORCE: 3~30N
 - LIFE TEST: 5,000 CYCLES.
 - TO CONFORM TO THE SINGATRON HAZARDOUS SUBSTANCE FREE SPEC.
 - HALOGEN FREE PRODUCT IDENTIFICATION LABEL ON PACKAGING:
 - PACKAGE: SEE "2SJ3161 SERIES" PACKAGE.
 - FOR WAVE SOLDERING LEAD-FREE PROCESS.
 - OTHER GENERAL SPEC. TO REFER "2SJ3161 SERIES SPEC"

PART NO.
2SJ3161-100112F

- SUFFIX: HALOGEN FREE
- Poles
 - 2: 4-POLE
 - HOUSING COLOR
 - 1: BLACK
 - CONTACT PLATING
 - 1: GOLD FLASH ON CONTACT AREA, 80u" MATTE TIN ON SOLD TAIL, Ni 50u" Min OVER ALL.



J	MYLAR	1		YELLOW
I	Shielding	1	SUS301 0.2T	NICKEL
H	Separator	1	HIGH TEMP. THERMOPLASTIC	BLACK
G	Transfer	1	Phosphor bronze t=0.20	GOLD FLASH ON CONTACT AREA AND SOLD TAIL, Ni 50u" MIN OVER ALL
F	Make terminal	1	Phosphor bronze t=0.20	GOLD FLASH ON CONTACT AREA, 80u" MATTE TIN ON SOLD TAIL, Ni 50u" MIN OVER ALL
E	Ring B	1	Phosphor bronze t=0.20	
D	Tip spring	1	Phosphor bronze t=0.25	
C	Earth-A	1	Phosphor bronze t=0.20	
B	Ring A	1	Phosphor bronze t=0.20	
A	Housing	1	PPA 30% GF, UL94V-0	BLACK

NO	DESCRIPTION	QTY	MATERIAL	PLATING & COLOR
UNLESS OTHERWISE SPECIFIED TOLERANCES			Singatron Enterprise Co., Ltd. 信音企業股份有限公司	
DECIMALS:		TITLE		
ANGLES:		3.5φ PHONE JACK, R/A, DIP TYPE		
X	±0.5	X	±2°	DWN
XX	±0.3	XX	±1°	CHKD
XX	±0.2	APVD	ANGELA2015.11.05	SCALE 4:1
		UNIT:	mm	REV: A
		SIZE:	A3	SHEET: 1 OF 1
CUSTOMER COPY				