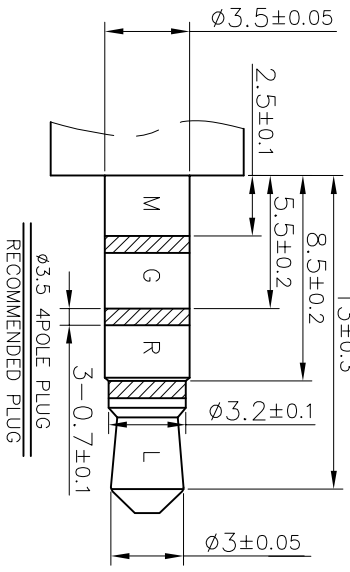
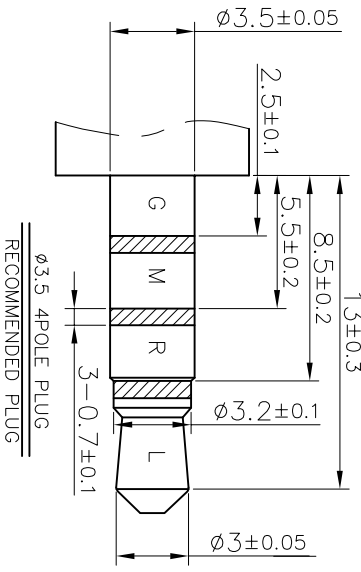
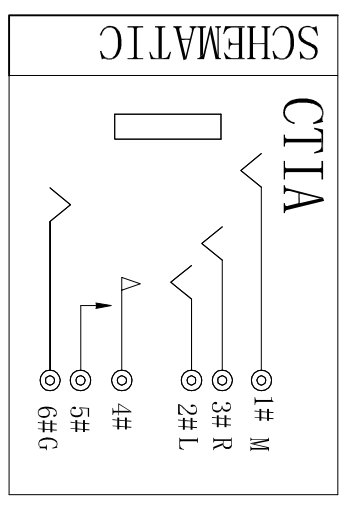
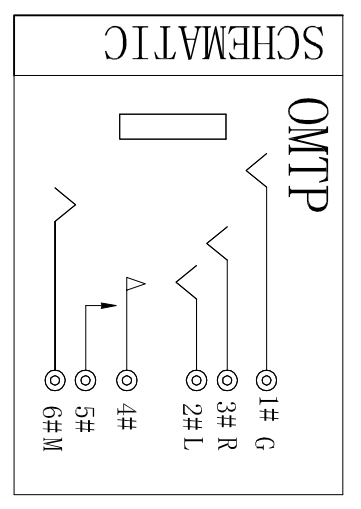
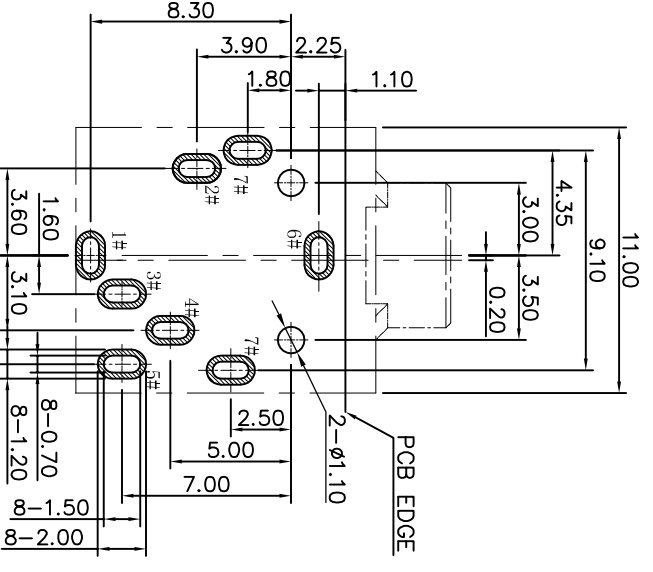
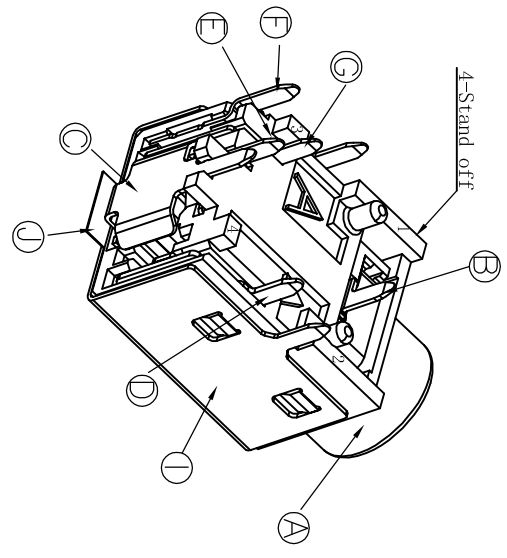
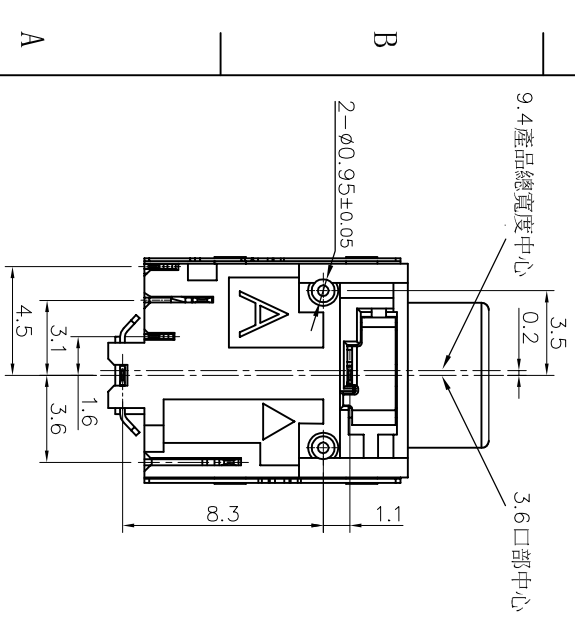
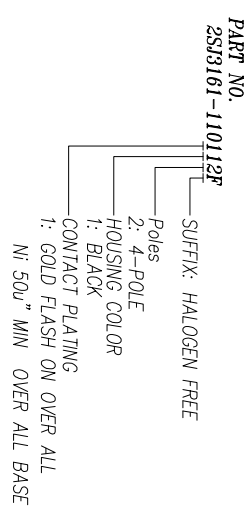
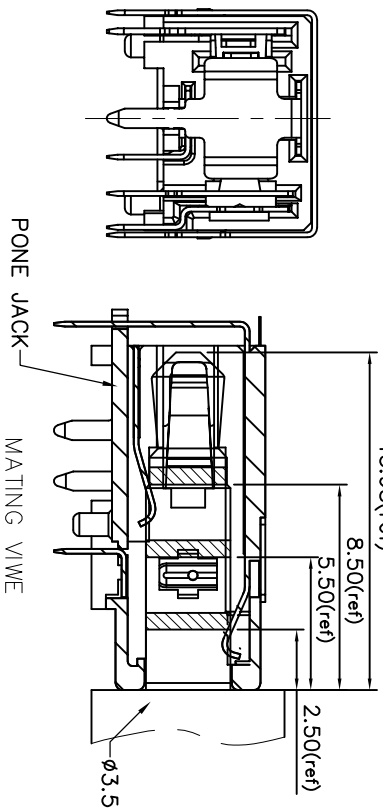
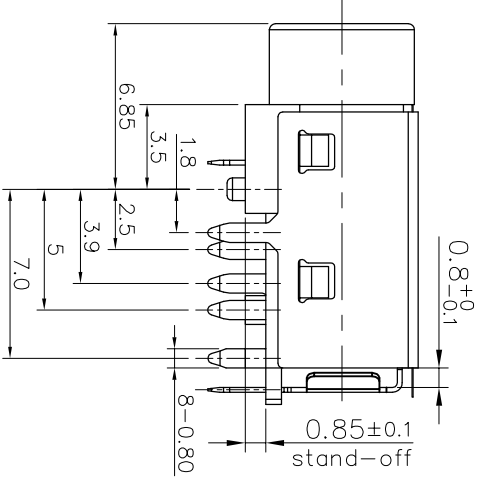
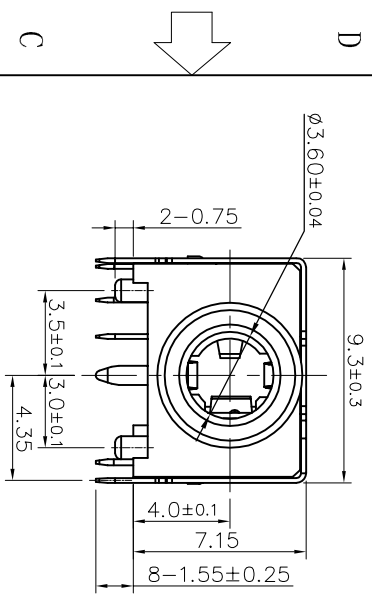


REV.	ECN NO OR DESCRIPTION	REVISED	DATE
A	PDR RELEASE	Even	2016.12.09



- SPECIFICATIONS:**
- ELECTRICAL CHARACTERISTICS:**
 - CURRENT RATING: 1 AMP.
 - VOLTAGE RATING: DC 12V
 - CONTACT RESISTANCE: 50mΩ MAX.
 - INSULATION RESISTANCE: 100MΩ MIN. @ 500V DC.
 - DIELECTRIC WITHSTANDING VOLTAGE: 500V AC FOR 1 MINUTE.
 - MECHANICAL CHARACTERISTICS:**
 - INSERTION FORCE: 0.8~3.0Kgf, Withdrawal force: 0.6~1.8Kgf.
 - After 2000 life: Insertion force: 2.5Kgf Max, Withdrawal force: 0.5Kgf Min.
 - After 5000 life: Insertion and Withdrawal force: 0.3~3.0Kgf.
 - LIFE TEST: 5,000 CYCLES.
 - TO CONFORM TO THE SINGAITRON HAZARDOUS SUBSTANCE FREE SPEC.
 - HALOGEN FREE PRODUCT IDENTIFICATION LABEL ON PACKAGING.
 - PACKAGE: SEE "2SJ3161-110112F" PACKAGE.
 - FOR REFLOW SOLDERING LEAD-FREE PROCESS.
 - OTHER GENERAL SPEC. TO REFER "2SJ3161-110112F SPEC"



RECOMMENDED PCB LAYOUT (TOP VIEW)
TOLERANCE: ±0.05mm

NO	DESCRIPTION	QTY	MATERIAL	PLATING & COLOR
J	MYLAR	1		YELLOW
I	Shielding	1	SUS301 0.2T	NICKEL 50μ"
H	Separator	1	PA9T UL 94V-0	BLACK
G	Transfer	1	CS210R-H t=0.20	
F	Make terminal	1	CS210R-H t=0.20	GOLD FLASH ON OVER ALL
E	Ring B	1	CS210R-EH t=0.20	OVER ALL
D	Tip spring	1	CS191R-EH t=0.25	Ni 50μ" MIN OVER
C	Earth-A	1	CS210R-EH t=0.20	ALL BASE
B	Ring A	1	CS210R-EH t=0.20	
A	Housing	1	PA10T UL 94V-0	BLACK
NO	DESCRIPTION	QTY	MATERIAL	PLATING & COLOR

UNLESS OTHERWISE SPECIFIED TOLERANCES

DECIMALS: ANGLES:

X : ±0.5 X : ±2°

X.X : ±0.3 X.X : ±1°

X.XX : ±0.2

Singatron Enterprise Co., Ltd.
信音企業股份有限公司

3.5Ø PHONE JACK, R/A, DIP TYPE

Part No. 2SJ3161-110112F

SCALE 4:1 UNIT: mm

SIZE: A3 SHEET: 1 OF 1 REV: A