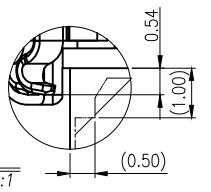


REV.	ECN NO OR DESCRIPTION	REVISED	DATE
A	PDR NO: T171013-4A	Peng	2018.02.05
B	ECN NO:S180561-C	Xinzhi	2018.08.20

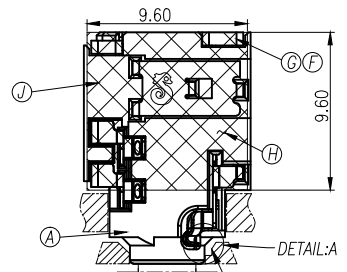
SPECIFICATIONS:

- ELECTRICAL CHARACTERISTICS:
 - RATING: 12V 1A
 - CONTACT RESISTANCE: 50mΩ MAX.(INITIAL)
 - DIELECTRIC WITHSTANDING VOLTAGE: 500V AC FOR ONE MINUTE.
 - INSULATION RESISTANCE: 100MΩ MIN. MEASURED BY 500 VDC.
- MECHANICAL CHARACTERISTICS:
 - INSERTION FORCE: 0.8~3.0Kgf INITIAL ;
2.5 Kgf Max. After THE 2000th
 - WITHDRAWAL FORCE: 0.6~1.8Kgf INITIAL;
0.5 Kgf Min. After THE 2000th
- AFTER LIFE TEST, CONTACT RESISTANCE: 100mΩ MAX.
- PACKAGING : TAPE & REEL.
- AFTER HUMIDITY TEST, INSULATION RESISTANCE: 50MΩ MIN.
- TO CONFORM TO SINGATRON HAZARDOUS SUBSTANCE FREE SPEC.
- TO CONFORM TO THE SINGATRON HSF SPECIFICATION"
- HALOGEN FREE PRODUCT IDENTIFICATION MARK ON PRODUCT:
- HALOGEN FREE PRODUCT IDENTIFICATION LOGO ON PACKAGING:
- PRINTED DATE CODE "YYMMDD" ON TOP OF CONNECTOR.

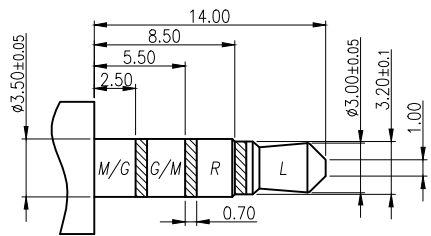
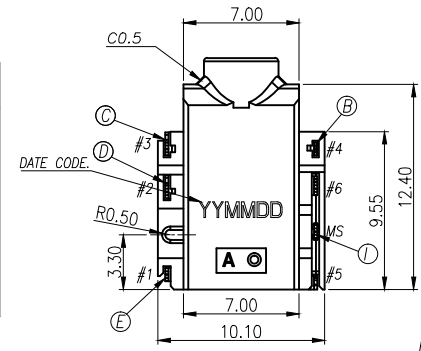
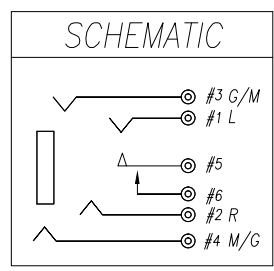
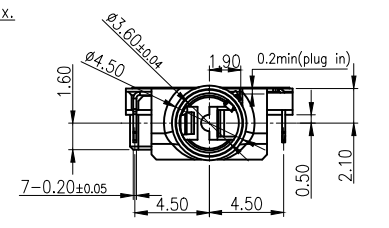
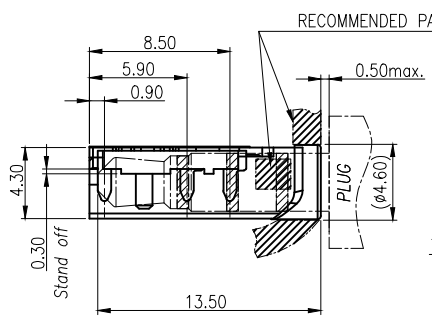
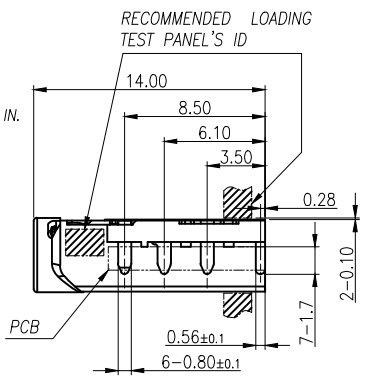


DETAIL:A
SCALE:3:1

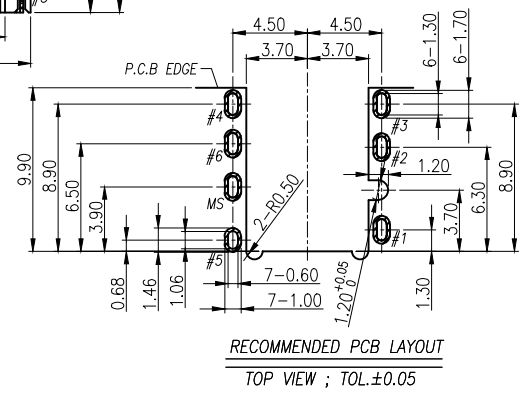
PRODUCT APPLICATION:
THE SPRING WORKING
POSITION WHEN PLUG-IN



MATCH MECHANISM ID
NEEDS TO AVOID THE
INTERFERENCE WITH
TERMINAL AFTER PLUG IN.



RECOMMENDED PLUG
ø3.5 4-POLE PLUG(TOL.±0.05)



RECOMMENDED PCB LAYOUT
TOP VIEW ; TOL.±0.05

J	MYLAR	1	T=0.06	BROWN
I	SHELL	1	SUS304-1/2H 0.2t	Ni 60u"Min.
H	SEPARATOR	1	LCP E130I +30% GF UL 94V-0	BLACK
G	TRANSFER TERMINAL	1	C5210-EH 0.2t	GOLD FLASH ON CONTACT AREA; GOLD FLASH ON SOLDER AREA; ALL OVER 50u" Ni.
F	MAKE TERMINAL	1	C5210-EH 0.2t	GOLD FLASH ON CONTACT AREA; GOLD FLASH ON SOLDER AREA; ALL OVER 50u" Ni.
E	TIP SPRING	1	SUS304-1/2H 0.2T	GOLD FLASH ON CONTACT AREA; GOLD FLASH ON SOLDER AREA; ALL OVER 50u" Ni.
D	RING A	1	C5210-EH 0.2t	GOLD FLASH ON CONTACT AREA;
C	RING B	1	C5210-EH 0.2t	MATTE Sn90u" ON SOLDER AREA;
B	EARTH	1	C5210-EH 0.2t	ALL OVER 50u" Ni.
A	BODY	1	PA4T+30%GF,UL94V-0	PANTONE COLOR GRAY 4C
NO	DESCRIPTION	QTY	MATERIAL	PLATING & COLOR

UNLESS OTHERWISE SPECIFIED TOLERANCES		Singatron Enterprise Co., Ltd. 信音企業股份有限公司	
DECIMALS:	ANGLES:	TITLE	3.5ø PHONE JACK
X ±0.5	X ±2'	DWN	Xinzhi
X.X ±0.3	X.X ±1'	CHKD	Bruce
X.XX ±0.2		APVD	Liao
		PART NO.	2SJ3166-006111F
		SCALE	4:1
		UNIT	mm
		SIZE	A3
		SHEET	1 OF 1
		REV	B
CUSTOMER COPY			