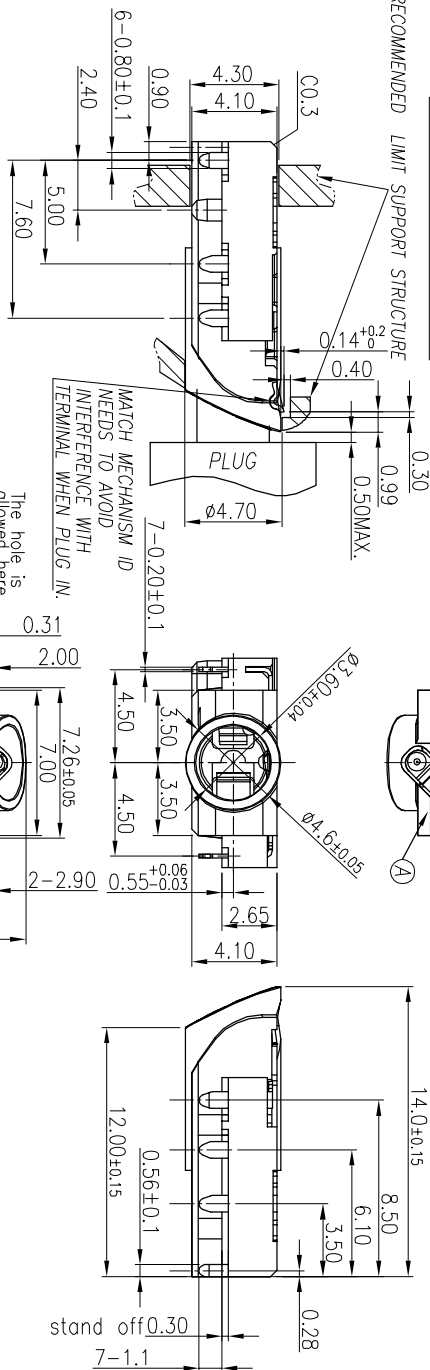


REV.	ECN NO.	OR DESCRIPTION	REVISED	DATE
A	PDR NO: T170412-4A	Qing	2018/10/08	

SPECIFICATIONS:

- ELECTRICAL CHARACTERISTICS:
 - RATING: 12V 1A
 - CONTACT RESISTANCE: 50mΩ MAX.(INITIAL)
 - DIELECTRIC WITHSTANDING VOLTAGE: 500V AC FOR ONE MINUTE.
 - INSULATION RESISTANCE: 100MΩ MIN. MEASURED BY 500 VDC.
- MECHANICAL CHARACTERISTICS:
 - INSERTION FORCE: 0.3-3.0kgf
 - WITHDRAWAL FORCE: 0.3-3.0kgf
- LIFE TEST: 5,000 CYCLES MIN. AFTER LIFE TEST, CONTACT RESISTANCE: 120mΩ MAX.
- PACKAGING: TAPE & REEL.
- AFTER HUMIDITY TEST, INSULATION RESISTANCE: 50MΩ MIN.
- TO CONFORM TO SINGARON HAZARDOUS SUBSTANCE FREE SPEC.
- HALOGEN FREE PRODUCT IDENTIFICATION MARK ON JACK: ☉
- HALOGEN FREE PRODUCT IDENTIFICATION LABEL ON PACKAGING: ☉
- PLEASE PUT THE PRODUCT IN A CONDITION WHERE IS FULL OF NITROGEN WHEN PASS THE IR REFLOW
- THE MOUTH BURRS DO NOT TO EXCEED 0.05mm.

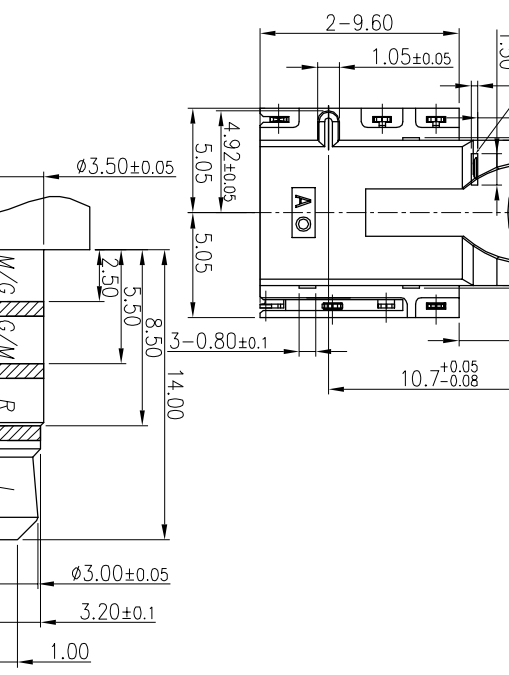
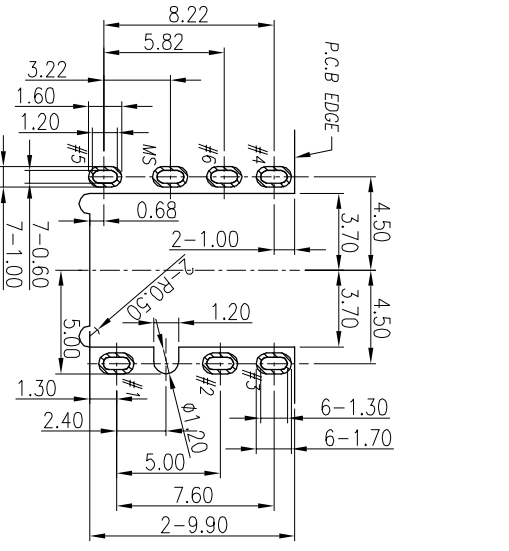


RECOMMENDED LIMIT SUPPORT STRUCTURE

DATE CODE: #1, #2, #3, #4, #5, #6

MATCH MECHANISM ID NEEDS TO AVOID INTERFERENCE WITH TERMINAL WHEN PLUG IN.

The hole is allowed here



NO	DESCRIPTION	QTY	MATERIAL	PLATING & COLOR
A	BODY	1	HIGH TEMP.THERMOPLASTIC UL 94V-0	Mg/Al Grey(C171006)
B	EARTH	1	COPPER ALLOY, 0.2T	Ag/Ni 1-30.70% CONTACT AREA SOLD FLASH ON SOLDER AREA ALL OVER 300 μm
C	RING B	1	COPPER ALLOY, 0.2T	SOLD FLASH ON CONTACT AREA SOLD FLASH ON SOLDER AREA ALL OVER 50 μm
D	RING A	1	COPPER ALLOY, 0.2T	SOLD FLASH ON CONTACT AREA SOLD FLASH ON SOLDER AREA ALL OVER 50 μm
E	TIP SPRING	1	SUS, 0.2T	
F	MAKE TERMINAL	1	COPPER ALLOY, 0.2T	SOLD FLASH ON CONTACT AREA SOLD FLASH ON SOLDER AREA ALL OVER 80-100 μm
G	TRANSFER TERMINAL	1	COPPER ALLOY, 0.2T	SOLD FLASH ON CONTACT AREA SOLD FLASH ON SOLDER AREA ALL OVER 80-100 μm
H	SEPARATOR	1	HIGH TEMP.THERMOPLASTIC UL 94V-0	BLACK
J	SHELL	1	SUS304 1/2H, 0.2T	MODEL 800* PLATING

UNLESS OTHERWISE SPECIFIED TOLERANCES

DECIMALS: ANGLES:

X X.XX ±0.2 X.X ±0.5 X.X ±0.3 X.X ±1° X.XX ±0.2

RECOMMENDED PLUG

RECOMMENDED PCB LAYOUT

TOP VIEW: TOL.±0.05

RECOMMENDED 4-POLE STANDARD PLUG

TITLE	3.5Φ Audio Jack
DWN	Qing
CHKD	Bruce
APVD	Luo
PART NO. 2S13166-008151F	
SCALE 4:1	
UNIT: mm	
SIZE: A3	
SHEET: 1 OF 1	
REV: A	

CUSTOMER COPY