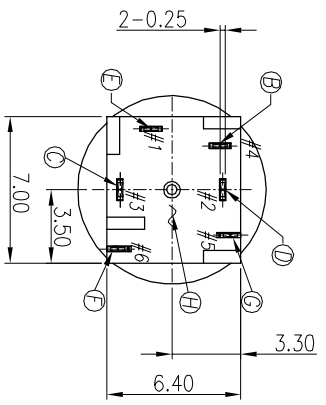
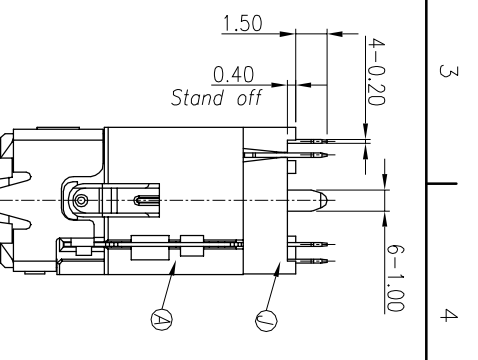
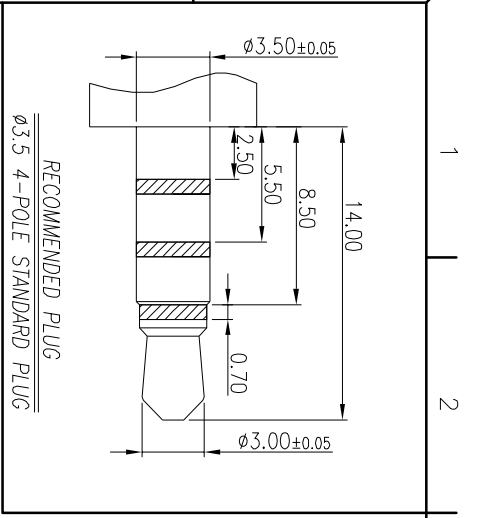
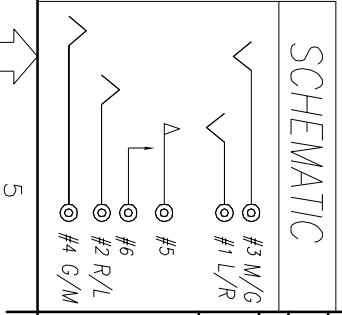
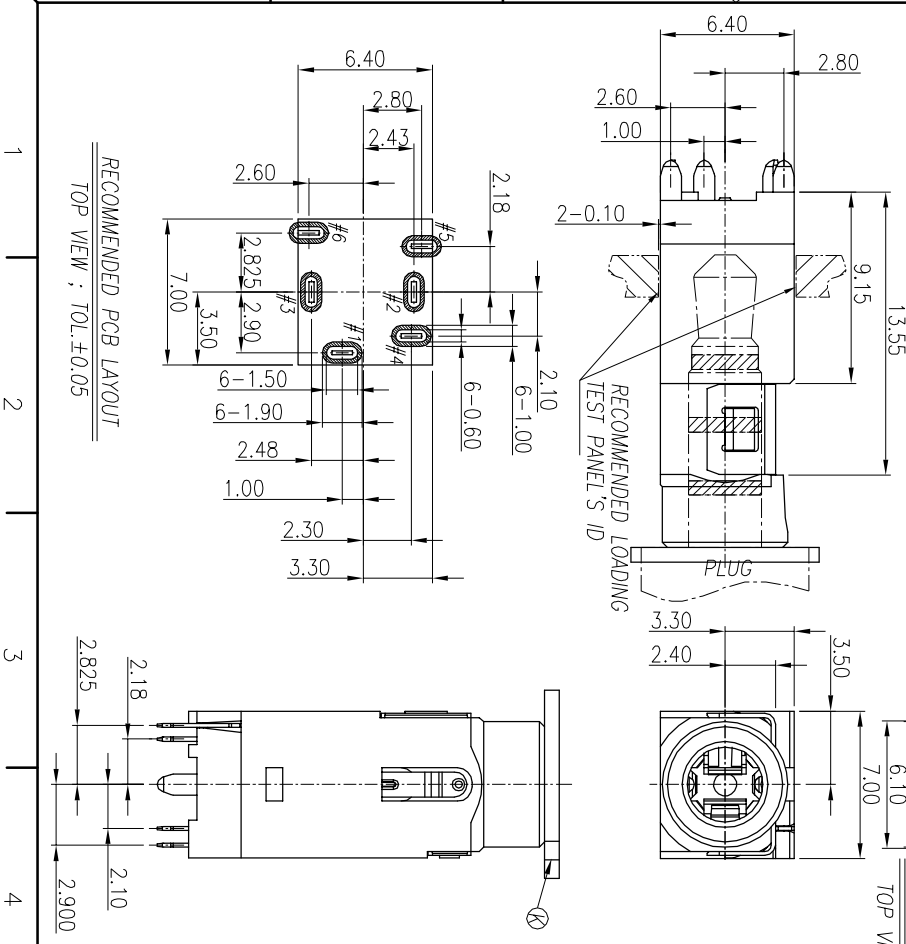


REV/ECN NO OR DESCRIPTION	REVISED	DATE
A PDR NO:IT50831-2A	ROBIN	2016.04.05

RECOMMENDED PCB LAYOUT  
TOP VIEW ; TOL.±0.05



- RECOMMENDED LOADING
- RECOMMENDED PANEL'S ID
- TOP VIEW ; TOL.±0.05
11. HALOGEN FREE PRODUCT IDENTIFICATION LABEL ON PACKAGING:
9. TO CONFORM TO SINGATRON HAZARDOUS SUBSTANCE FREE SPEC.
10. HALOGEN FREE PRODUCT IDENTIFICATION MARK ON JACK: ☉
8. PACKING : TAPE & REEL.
7. MARKING: MARK "☉" ON TOP OF CONNECTOR.
6. AFTER HUMIDITY TEST, INSULATION RESISTANCE: 50MΩ MIN.
5. AFTER TEST, CONTACT RESISTANCE: 100mΩ MAX.
4. WITHDRAWAL FORCE: 0.3 - 3.0Kg.
3. INSERTION FORCE: 0.3 - 3.0Kg.
2. LIFE TEST: 5,000 CYCLES.
- 1-4. INSULATION RESISTANCE: 100MΩ MIN. MEASURED BY 500V DC
- 1-3. DIELECTRIC WITHSTANDING VOLTAGE: 500V AC FOR ONE MINUTE.
- 1-2. CONTACT RESISTANCE: 50mΩ MAX. (INITIAL)
- 1-1. RATING: 12V 1A
- SPECIFICATIONS:
- RECOMMENDED PLUG
- RECOMMENDED PANEL'S ID



NO	DESCRIPTION	QTY	MATERIAL	PLATING & COLOR
A	BODY	1	HIGH TEMP.THERMOPLASTIC UL 94V-0	BLACK
B	EARTH	1	PHOSPHOR BRONZE 0.2T	GOLD FLASH ON CONTACT AREA GOLD FLASH ON SOLDER TAIL; ALL OVER IN 50 μm.
C	RING-B	1	PHOSPHOR BRONZE 0.25T	
D	RING-A	1	PHOSPHOR BRONZE 0.25T	
E	TIP SPRING	1	PHOSPHOR BRONZE 0.2T	
F	MAKE TERMINAL	1	PHOSPHOR BRONZE 0.2T	
G	TRANSFER TERMINAL	1	PHOSPHOR BRONZE 0.2T	
H	SEPARATOR	1	UL 94V-0	BLACK
J	COVER	1	HIGH TEMP.THERMOPLASTIC UL 94V-0	BLACK
K	CAP	1	HIGH TEMP.THERMOPLASTIC UL 94V-0	BLACK

SINGATRON ENTERPRISE CO., LTD.  
信晉企業股份有限公司

3.5φ PHONE JACK

PART NO. 2SJ3170-00011F

SCALE 1:1

UNIT: mm

SHEET: 1 OF 1

REV: A

CUSTOMER COPY