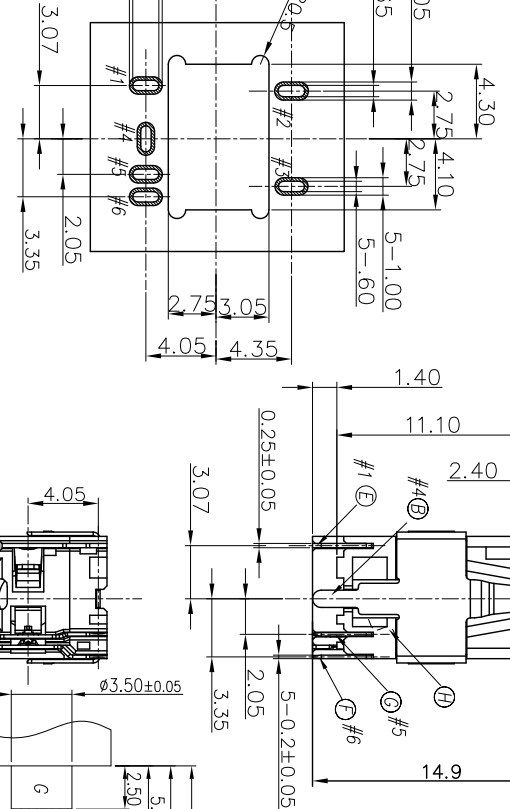
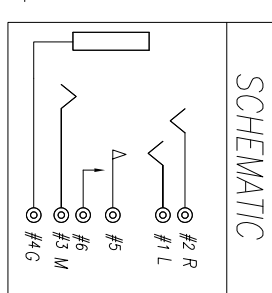
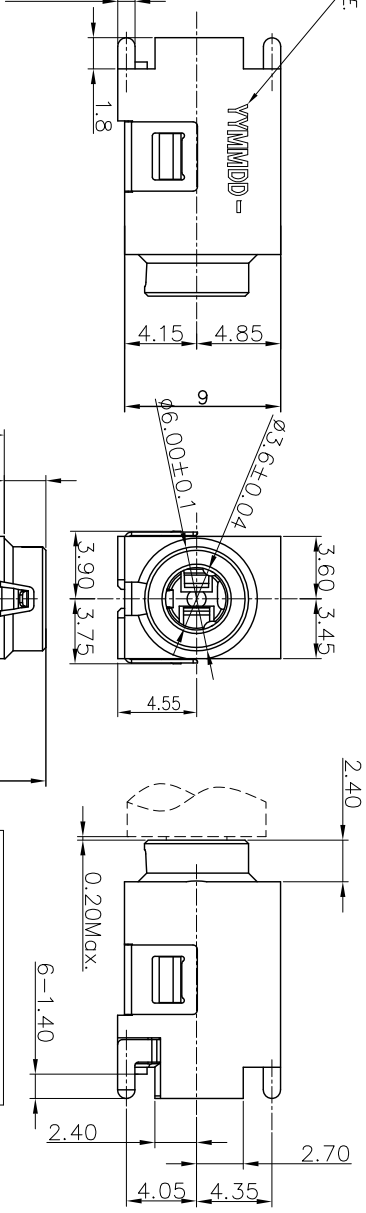


REV.	ECN NO. OR DESCRIPTION	REVISED	DATE
A	PDR NO: T150923-2A	Ming	2016.08.24
B	ECN NO: S170323-R	JIE-FU	2017.04.17

- SPECIFICATIONS:**
- 1. ELECTRICAL CHARACTERISTICS:**
- 1-1. RATING: 12V 1A
 - 1-2. CONTACT RESISTANCE: 50mΩ MAX (INITIAL)
 - 1-3. DIELECTRIC WITHSTANDING VOLTAGE: 500V AC FOR ONE MINUTE
 - 1-4. INSULATION RESISTANCE: 100MΩ MIN. MEASURED BY 500 VDC
- 2. MECHANICAL CHARACTERISTICS:**
- 2-1. INSERTION FORCE : 0.5~3.0 KGF
 - 2-2. WITHDRAWAL FORCE : 0.5~3.0 KGF
- 3. LIFE TEST: 5,000 CYCLES MIN.
 - 4. AFTER LIFE TEST, CONTACT RESISTANCE: 100mΩ MAX.
 - 5. PACKAGING : TAPE & REEL.
 - 6. MARKING: MARK "S" ON CONNECTOR.
 - 7. TO CONFORM TO SINGATRON HAZARDOUS SUBSTANCE FREE SPEC.
 - 8. HALOGEN FREE PRODUCT IDENTIFICATION MARK ON PRODUCT:
 - 9. HALOGEN FREE PRODUCT IDENTIFICATION LOGO ON PACKAGING:
 - 10. IR REFLOW: 270° 5seconds



J	Material	QTY	DESCRIPTION	PLATING & COLOR
J	Mylar	1	KAPTON 0.10T	Yellow
H	SEPARATOR	1	HIGH TEMP THERMOPLASTIC UL 94V-0	BLACK
G	TRANSFER-TERMINAL	1	PHOSPHOR BRONZE 0.2t	
F	MAKE-TERMINAL	1	PHOSPHOR BRONZE 0.2t	
E	TIP-SPRING	1	SUS 304-1/2H 0.25t	
D	RING-B	1	PHOSPHOR BRONZE 0.2t	GOOD FLASH ON CONTACT AREA
C	RING-A	1	PHOSPHOR BRONZE 0.2t	GOOD FLASH ON SOLDER AREA ALL OVER 50W "N"
B	EARTH-SPRING	1	PHOSPHOR BRONZE 0.2t	
A	BODY	1	HIGH TEMP THERMOPLASTIC UL 94V-0	BLACK

RECOMMENDED PCB LAYOUT
TOP VIEW ; TOL.±0.05

RECOMMENDED PLUG(TOL.±0.05)

3.5φ PHONE JACK

SINGATRON		Singatron Enterprise Co., Ltd.	
UNLESS OTHERWISE SPECIFIED TOLERANCES		信音企業股份有限公司	
DECIMALS:	ANGLES:	TITLE	
X : ±0.5	X : ±2°	DWN	JIE-FU PART NO. 2SJ3170-002111F
X.X : ±0.3	X.X : ±1°	CHKD	CERRY SCALE 4:1 UNIT: mm
X.XX : ±0.2		APVD	LUSSEN SIZE: A3 SHEET: 1 OF 1 REV: B

CUSTOMER COPY