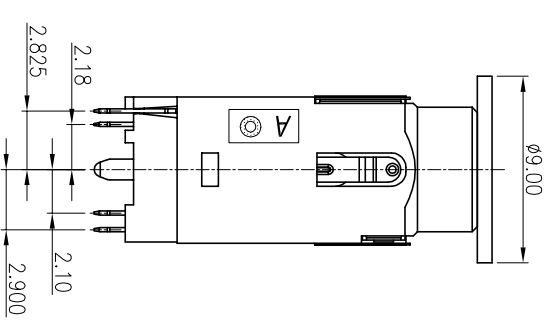
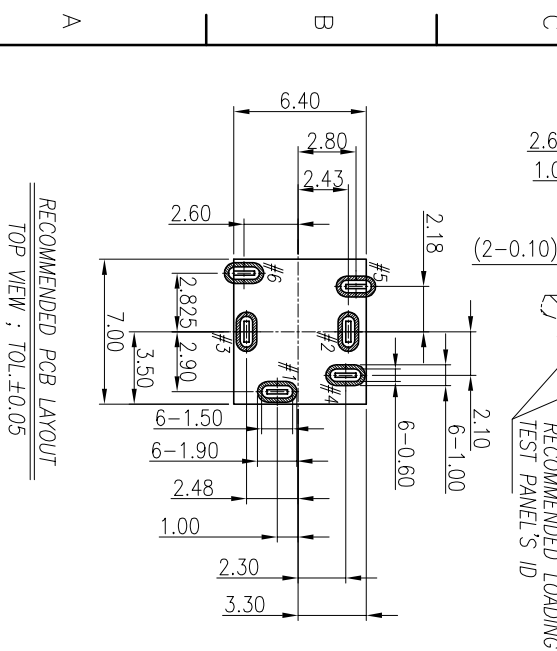
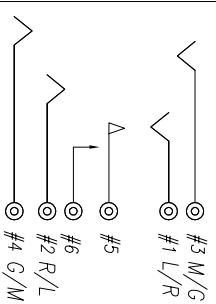


- SPECIFICATIONS:**
- ELECTRICAL CHARACTERISTICS:**
- 1-1. RATING: 12V 1A
 - 1-2. CONTACT RESISTANCE: 50mΩ MAX.(INITIAL)
 - 1-3. DIELECTRIC WITHSTANDING VOLTAGE: 500V AC FOR ONE MINUTE.
 - 1-4. INSULATION RESISTANCE: 100MΩ MIN. MEASURED BY 500V DC
 2. LIFE TEST: 5,000 CYCLES.
 3. INSERTION FORCE: 0.3 - 3.0kg.
 4. WITHDRAWAL FORCE: 0.3 - 3.0kg.
 5. AFTER TEST, CONTACT RESISTANCE: 100mΩ MAX.
 6. AFTER HUMIDITY TEST, INSULATION RESISTANCE: 50MΩ MIN.
 7. PACKING : TAPE & REEL.
 8. TO CONFORM TO SINGATRON HAZARDOUS SUBSTANCE FREE SPEC.
 9. HALOGEN FREE PRODUCT IDENTIFICATION MARK ON JACK.
 10. HALOGEN FREE PRODUCT IDENTIFICATION LABEL ON PACKAGING.



SCHEMATIC



L	Mvar 2	1	KAPTON 0.08T	YELLOW
K	Mvar 1	2	PA10T+30%GF,UL 94V-0	BLACK
J	CAP	1	PA4T+30%GF,UL 94V-0	PANTONE:#7540C
I	COVER	1	LCP,UL 94V-0	BLACK
H	SEPARATOR	1	PHOSPHOR BRONZE 0.2T	GOLD FLASH ON CONTACT AREA
G	TRANSFER TERMINAL	1	PHOSPHOR BRONZE 0.2T	GOLD FLASH ON SOLDER TAIL
F	MAKE TERMINAL	1	STAINLESS STEEL 0.2T	ALL OVER N: 50 u" Min.
E	TIP SPRING	1	PHOSPHOR BRONZE 0.25T	
D	RING-A	1	PHOSPHOR BRONZE 0.25T	
C	RING-B	1	PHOSPHOR BRONZE 0.25T	
B	EARTH BODY	1	PA4T+30%GF,UL 94V-0	PANTONE:#7540C
A	NO DESCRIPTION	1	MATERIAL	PLATING & COLOR

UNLESS OTHERWISE SPECIFIED TOLERANCES

Singatron Enterprise Co., Ltd.
信登企業股份有限公司

DECIMALS: ANGLES:

X :±0.5 X :±2°
X.X :±0.3 X.X :±1°
X.XX :±0.2
X.XXX :±0.1

TITLE: 3.5φ PHONE JACK

DWN Julio PART NO.2S3J170-004111F
CHKD Bruce SCALE 1:1 UNIT: mm
APVD Lussen SIZE: A3 SHEET:1 OF 1 REV: A

CUSTOMER COPY

REV: A	EGN NO OR DESCRIPTION	REVISED	DATE
A	PDR NO: TT151215-1A	Julia	2016.5.25