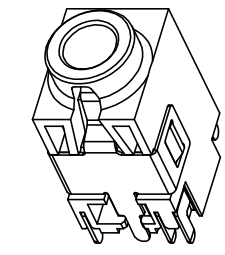
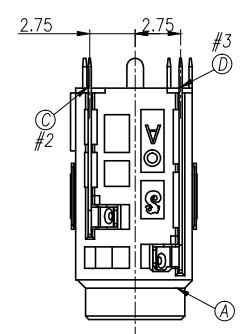
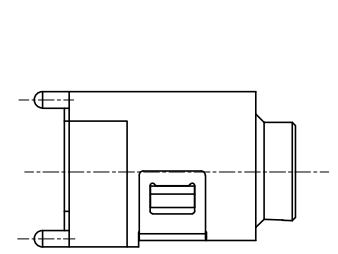
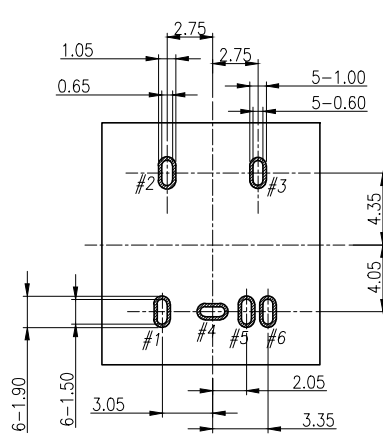
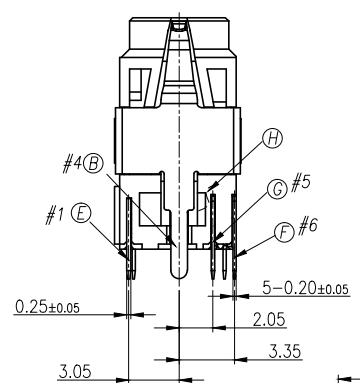
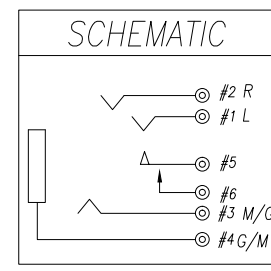
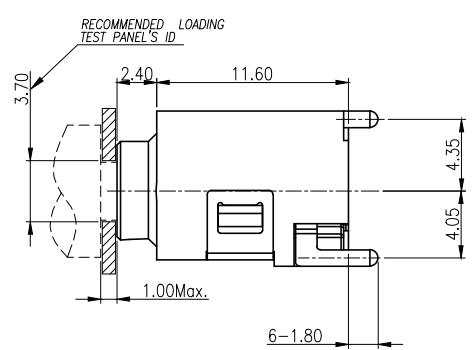
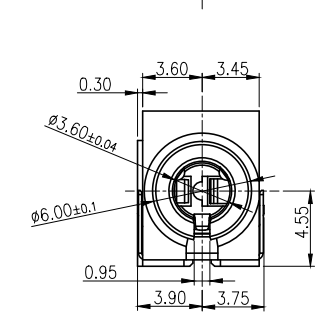
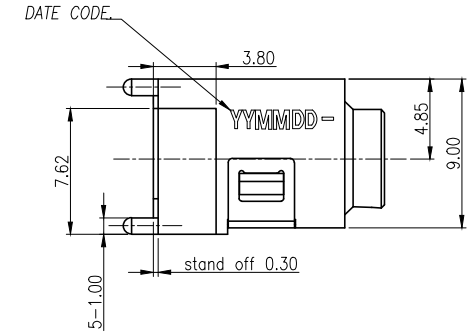


REV.	ECN NO OR DESCRIPTION	REVISED	DATE
A	PDR NO: T161219-10A	Ming	2017.09.14
B	ECN NO:S190927-C	Xinzhi	2020.03.13

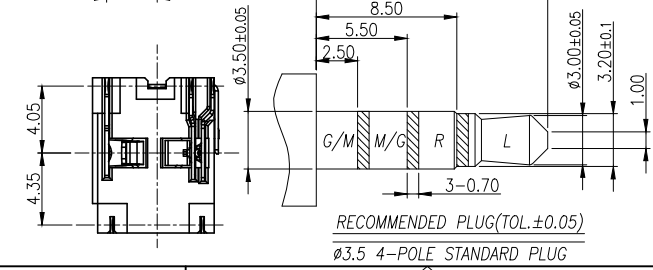


3D VIEW:

- SPECIFICATIONS:
- ELECTRICAL CHARACTERISTICS:
 - RATING: 12V 1A
 - CONTACT RESISTANCE: 50mΩ MAX.(INITIAL)
 - DIELECTRIC WITHSTANDING VOLTAGE: 500V AC FOR ONE MINUTE
 - INSULATION RESISTANCE: 100MΩ MIN. MEASURED BY 500 VDC
 - MECHANICAL CHARACTERISTICS:
 - INSERTION FORCE : 0.5~3.0 KGF
 - WITHDRAWAL FORCE : 0.5~3.0 KGF
 - LIFE TEST: 5,000 CYCLES MIN.
 - AFTER LIFE TEST, CONTACT RESISTANCE: 100mΩ MAX.
 - PACKAGING : TAPE & REEL.
 - MARKING: MARK "S" ON CONNECTOR.
 - TO CONFORM TO SINGATRON HAZARDOUS SUBSTANCE FREE SPEC.
 - HALOGEN FREE PRODUCT IDENTIFICATION MARK ON PRODUCT:
 - HALOGEN FREE PRODUCT IDENTIFICATION LOGO ON PACKAGING:
 - IR REFLOW: 270° 5seconds



RECOMMENDED PCB LAYOUT
TOP VIEW ; TOL.±0.05



RECOMMENDED PLUG(TOL.±0.05)
Ø3.5 4-POLE STANDARD PLUG

NO	DESCRIPTION	QTY	MATERIAL	PLATING & COLOR
H	SEPARATOR	1	HIGH TEMP.THERMOPLASTIC UL 94V-0	BLACK
G	TRANSFER-TERMINAL	1	PHOSPHOR BRONZE 0.2t	GOLD FLASH ON CONTACT AREA; GOLD FLASH ON SOLDER AREA; ALL OVER 50u" Ni.
F	MAKE-TERMINAL	1	PHOSPHOR BRONZE 0.2t	
E	TIP-SPRING	1	SUS 304-1/2H 0.25t	
D	RING-B	1	PHOSPHOR BRONZE 0.2t	BLACK
C	RING-A	1	PHOSPHOR BRONZE 0.2t	
B	EARTH-SPRING	1	PHOSPHOR BRONZE 0.2t	
A	BODY	1	HIGH TEMP.THERMOPLASTIC UL 94V-0	BLACK
UNLESS OTHERWISE SPECIFIED TOLERANCES		Singatron Enterprise Co., Ltd. 信音企業股份有限公司		
DECIMALS: ANGLES:		TITLE: 3.5Ø PHONE JACK		
X	:±0.5 X :±2°	DWN Xinzhi PART NO. 2SJ3170-008111F		
X.X	:±0.3 X.X :±1°	CHKD Bruce SCALE 4:1 UNIT: mm		
X.XX	:±0.2	APVD Liao SIZE: A3 SHEET:1 OF 1 REV:B		
CUSTOMER COPY				