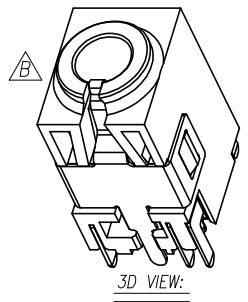
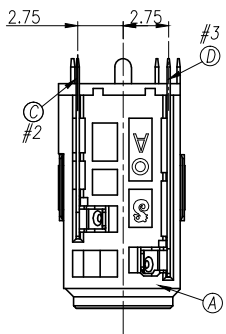
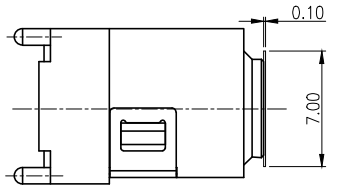


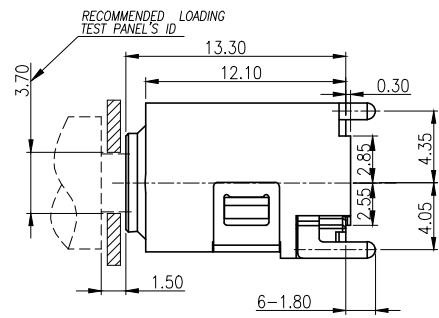
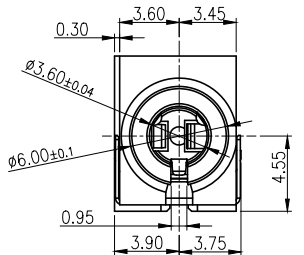
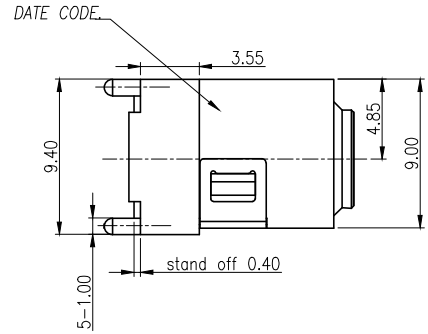
REV.	ECN NO OR DESCRIPTION	REVISED	DATE
A	PDR NO. T171110-4A&4B	Qing	2018.08.13
B	ECN NO. S190628-C	Xinzhi	2019.08.29



3D VIEW:

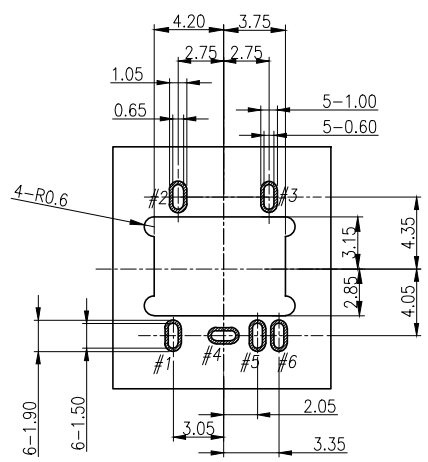
SPECIFICATIONS:

- ELECTRICAL CHARACTERISTICS:
 - RATING: 12V 1A
 - CONTACT RESISTANCE: 50mΩ MAX.(INITIAL)
 - DIELECTRIC WITHSTANDING VOLTAGE: 500V AC FOR ONE MINUTE
 - INSULATION RESISTANCE: 100MΩ MIN. MEASURED BY 500 VDC
- MECHANICAL CHARACTERISTICS:
 - INSERTION FORCE: 0.8~3.0Kgf INITIAL ; 2.5 Kgf Max. After THE 2000th
 - WITHDRAWAL FORCE: 0.6~1.8Kgf INITIAL; 0.5 Kgf Min. After THE 2000th
- LIFE TEST: 2,000 CYCLES MIN.
- AFTER LIFE TEST, CONTACT RESISTANCE: 100mΩ MAX.
- PACKAGING : TAPE & REEL.
- MARKING: MARK "S" ON CONNECTOR.
- TO CONFORM TO SINGATRON HAZARDOUS SUBSTANCE FREE SPEC.
- HALOGEN FREE PRODUCT IDENTIFICATION MARK ON PRODUCT:
- HALOGEN FREE PRODUCT IDENTIFICATION LOGO ON PACKAGING:
- 10.IR REFLOW: 270° 5seconds

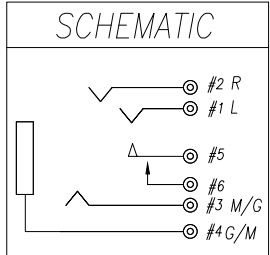
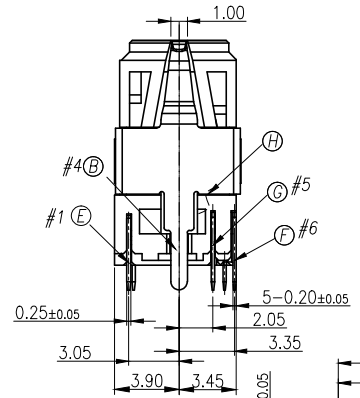


2SJ3170-010X11F

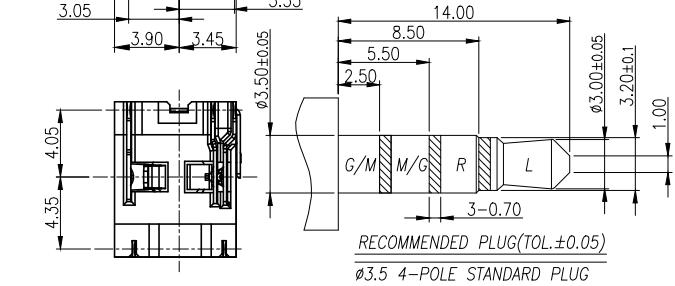
1:G/F
2:Au 30u"



RECOMMENDED PCB LAYOUT
TOP VIEW ; TOL.±0.05



SCHMATIC



RECOMMENDED PLUG(TOL.±0.05)
φ3.5 4-POLE STANDARD PLUG

NO	DESCRIPTION	QTY	MATERIAL	PLATING & COLOR
H	SEPARATOR	1	HIGH TEMP.THERMOPLASTIC UL 94V-0	BLACK
G	TRANSFER-TERMINAL	1	PHOSPHOR BRONZE 0.2t	GOLD FLASH ON CONTACT AREA; GOLD FLASH ON SOLDER AREA; ALL OVER 50u" Ni.
F	MAKE-TERMINAL	1	PHOSPHOR BRONZE 0.2t	GOLD FLASH ON CONTACT AREA; GOLD FLASH ON SOLDER AREA; ALL OVER 50u" Ni.
E	TIP-SPRING	1	SUS 304-1/2H 0.25t	
D	RING-B	1	PHOSPHOR BRONZE 0.2t	GOLD FLASH ON CONTACT AREA; GOLD FLASH ON SOLDER AREA; ALL OVER 50u" Ni.
C	RING-A	1	PHOSPHOR BRONZE 0.2t	GOLD FLASH ON CONTACT AREA; GOLD FLASH ON SOLDER AREA; ALL OVER 50u" Ni.
B	EARTH-SPRING	1	PHOSPHOR BRONZE 0.2t	
A	BODY	1	HIGH TEMP.THERMOPLASTIC UL 94V-0	BLACK

UNLESS OTHERWISE SPECIFIED TOLERANCES		SINGATRON ENTERPRISE CO., LTD. 信音企業股份有限公司	
DECIMALS:	ANGLES:	TITLE	
X :±0.5	X :±2°	3.5φ AUDIO JACK	
X.X :±0.3	X.X :±1°	DWN	Xinzhi
X.XX :±0.2		CHKD	Bruce
		APVD	Liao
		PART NO. 2SJ3170-010X11F	
		SCALE 4:1 UNIT: mm	
		SIZE: A3 SHEET:1 OF 1	
		REV:B	
CUSTOMER COPY			