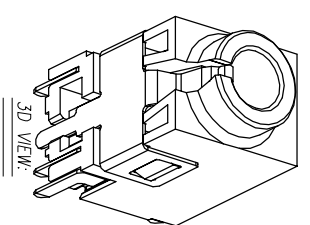
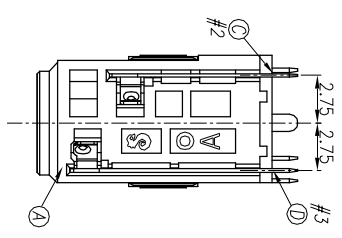
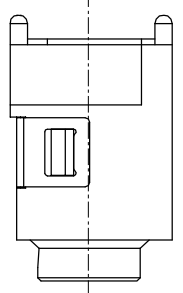
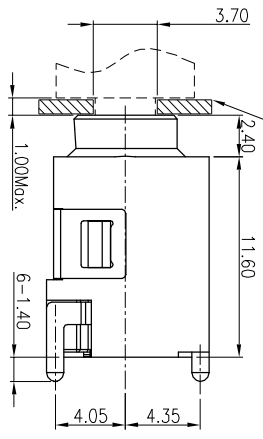
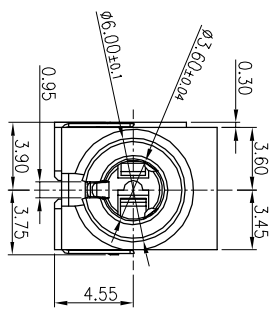
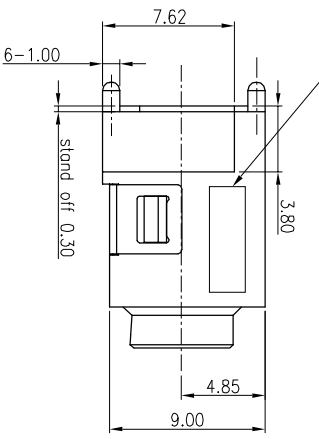


REV.	ECN NO. OR DESCRIPTION	REVISED	DATE
A	PDR NO.: T200429-1A	Quantity	2020.07.25



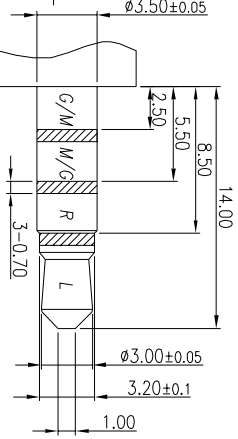
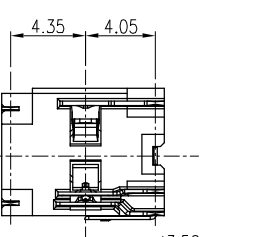
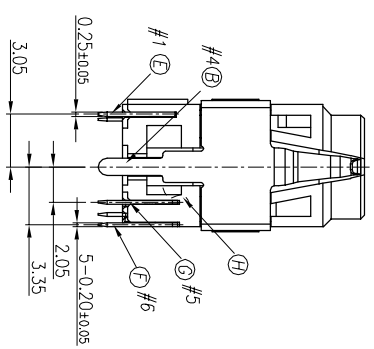
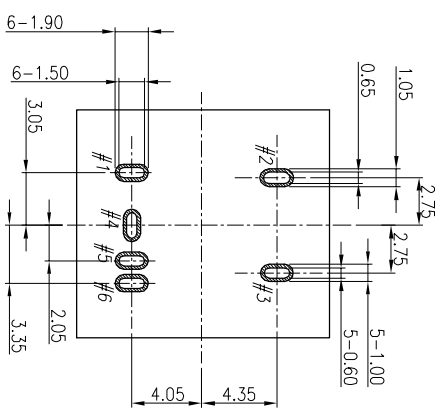
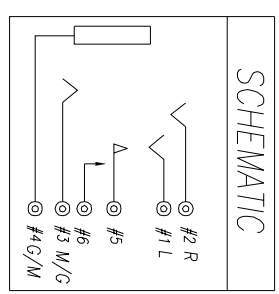
DATE CODE AREA(MMD)



MATCHED MECHANISM'S ID NEED TO AVOID INTERFERENCE WITH TERMINAL AFTER PLUG IN

SPECIFICATIONS:

- ELECTRICAL CHARACTERISTICS:
 - RATING: 12V 1A
 - CONTACT RESISTANCE: 50mΩ MAX.(INITIAL)
 - DIELECTRIC WITHSTANDING VOLTAGE: 500V AC FOR ONE MINUTE.
 - INSULATION RESISTANCE: 100MΩ MIN. MEASURED BY 500 VDC.
- MECHANICAL CHARACTERISTICS:
 - INSERTION FORCE: INITIAL 0.5-3.0kgf;
 - WITHDRAWAL FORCE: INITIAL 0.5-3.0kgf;
 - LIFE TEST: 5,000 CYCLES MIN.
 - AFTER LIFE TEST, CONTACT RESISTANCE: 100mΩ MAX.
 - PACKAGING : TAPE & REEL.
 - AFTER HUMIDITY TEST, INSULATION RESISTANCE: 50MΩ MIN.
 - TO CONFORM TO SINGATRON HAZARDOUS SUBSTANCE FREE SPEC.
 - HALOGEN FREE PRODUCT IDENTIFICATION MARK ON PRODUCT:
 - HALOGEN FREE PRODUCT IDENTIFICATION LOGO ON PACKAGING:
 - FOR REFLOW SOLDERING LEAD-FREE PROCESS.
 - PRINTED DATE CODE "MMD" ON TOP OF CONNECTOR.



RECOMMENDED PCB LAYOUT
TOP VIEW : TOL.±0.05

NO	DESCRIPTION	QTY	MATERIAL	PLATING & COLOR
A	BODY	1	HIGH TEMP.THERMOPLASTIC UL 94V-0	BLACK
B	EARTH	1	PHOSPHOR BRONZE 0.2t	ALL OVER 500° W.
C	RING-A	1	PHOSPHOR BRONZE 0.2t	ROD FLASH ON CONTACT AREA
D	RING-B	1	PHOSPHOR BRONZE 0.2t	ROD FLASH ON SOLDER AREA
E	TIP SPRING	1	STAINLESS STEEL 0.25t	
F	MAKE TERMINAL	1	PHOSPHOR BRONZE 0.2t	
G	TRANSFER TERMINAL	1	PHOSPHOR BRONZE 0.2t	
H	SEPARATOR	1	HIGH TEMP.THERMOPLASTIC UL 94V-0	BLACK

UNLESS OTHERWISE SPECIFIED TOLERANCES

DECIMALS: ANGLES:

X :±0.5 X :±2°
X.X :±0.3 X.X :±1°
X.XX :±0.2

Singatron Enterprise Co., Ltd.
信登企業股份有限公司

TITLE: 3.5φ AUDIO JACK

DWN: QUANTY: PART NO. 25J3170-012111F

CHKD: Bruce SCALE 4:1 UNIT: mm

APVD: Liao SIZE: A3 SHEET: 1 OF 1 REV: A

CUSTOMER COPY