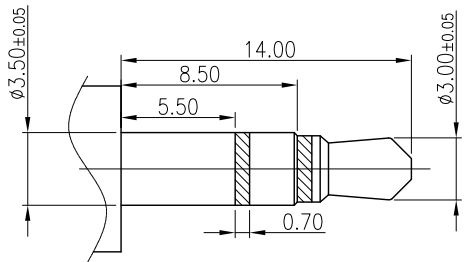


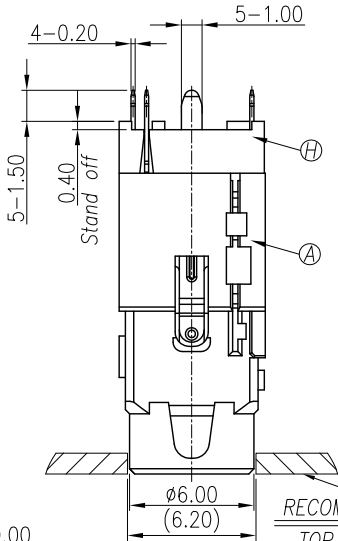
REV.	ECN NO OR DESCRIPTION	REVISED	DATE
A	PDR NO: T210712-2A	Jiujian	2022.06.07

SPECIFICATIONS:

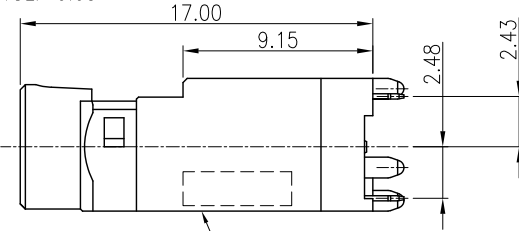
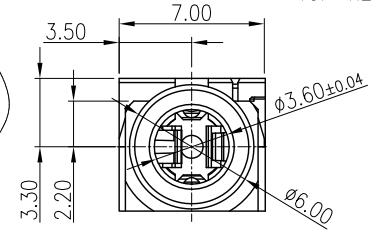
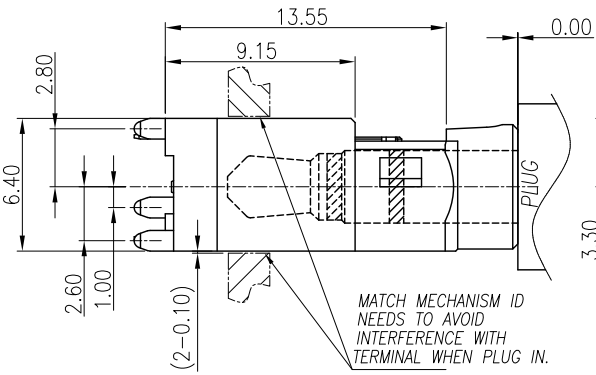
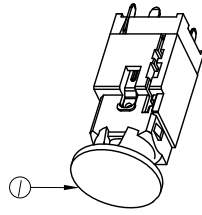
- ELECTRICAL CHARACTERISTICS:
  - RATING: 12V 1A
  - CONTACT RESISTANCE: 50mΩ MAX.(INITIAL)
  - DIELECTRIC WITHSTANDING VOLTAGE: 500V AC FOR ONE MINUTE.
  - INSULATION RESISTANCE: 100MΩ MIN. MEASURED BY 500 VDC.
- MECHANICAL CHARACTERISTICS:
  - INSERTION FORCE: INITIAL 0.3-3.0kgf;
  - WITHDRAWAL FORCE: INITIAL 0.3-3.0kgf;
- LIFE TEST: 5,000 CYCLES MIN.  
AFTER LIFE TEST, CONTACT RESISTANCE: 100mΩ MAX.
- PACKAGING : TAPE & REEL.
- AFTER HUMIDITY TEST, INSULATION RESISTANCE: 50MΩ MIN.
- TO CONFORM TO SINGATRON HAZARDOUS SUBSTANCE FREE SPEC.
- HALOGEN FREE PRODUCT IDENTIFICATION MARK ON PRODUCT:
- HALOGEN FREE PRODUCT IDENTIFICATION LOGO ON PACKAGING:
- FOR REFLOW SOLDERING LEAD-FREE PROCESS.
- PRINTED DATE CODE "YMD" ON TOP OF CONNECTOR.



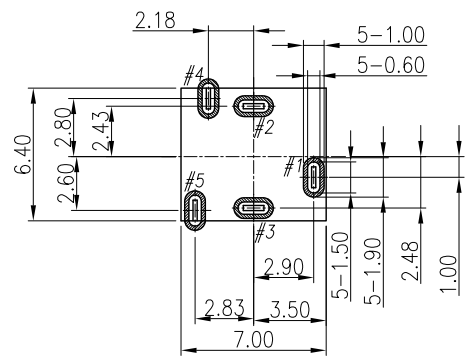
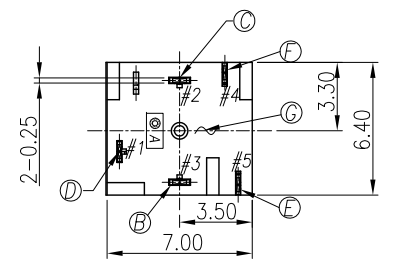
ø3.5 3-POLE PLUG(TOL:±0.05)



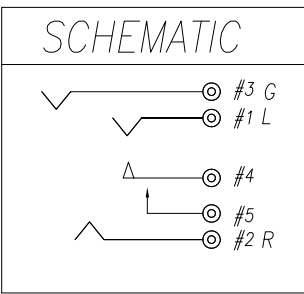
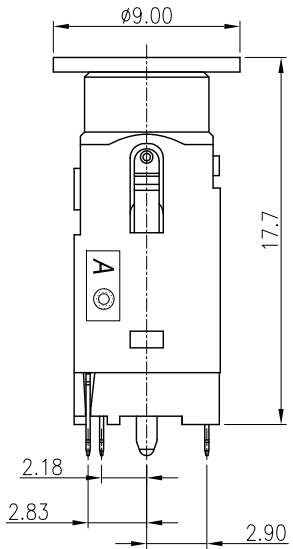
RECOMMENDED PANEL'S ID  
TOP VIEW, TOL.±0.05



DATE CODE AREA (YMD)



RECOMMENDED PCB LAYOUT  
TOP VIEW ; TOL.±0.05



I	CAP	1	HIGH TEMP.THERMOPLASTIC UL 94V-0	BLACK
H	COVER	1	HIGH TEMP.THERMOPLASTIC UL 94V-0	BLACK
G	SEPARATOR	1	HIGH TEMP.THERMOPLASTIC UL 94V-0	BLACK
F	TRANSFER TERMINAL	1	PHOSPHOR BRONZE 0.2T	1~3µm GOLD PLATING ON CONTACT AREA; 1~3µm GOLD PLATING ON SOLDER TALL AREA; AND 50µm NICKEL MIN. UNDER PLATING.
E	MAKE TERMINAL	1	PHOSPHOR BRONZE 0.2T	
D	TIP SPRING	1	STAINLESS STEEL 0.2T	
C	RING-A	1	PHOSPHOR BRONZE 0.25T	
B	RING-B	1	PHOSPHOR BRONZE 0.25T	
A	BODY	1	HIGH TEMP.THERMOPLASTIC UL 94V-0	BLACK

NO	DESCRIPTION	QTY	MATERIAL	PLATING & COLOR
----	-------------	-----	----------	-----------------

UNLESS OTHERWISE SPECIFIED TOLERANCES

Singatron Enterprise Co., Ltd.  
信音企業股份有限公司

DECIMALS:	ANGLES:	TITLE	<b>ø3.5 AUDIO JACK</b>		
X : ±0.5	X : ±2°	DWN	Jiujian	<b>PART NO.2SJ3170-013111F</b>	
X.X : ±0.3	X.X : ±1°	CHKD	Bruce	SCALE 1:1	UNIT: mm
X.XX : ±0.2		APVD	Liao	SIZE: A3	SHEET:1 OF 1
X.XXX : ±0.1					<b>REV: A</b>

CUSTOMER COPY