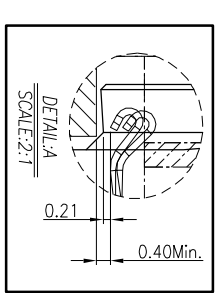
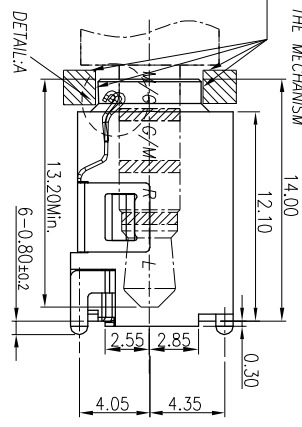
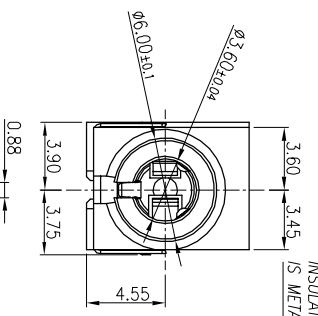
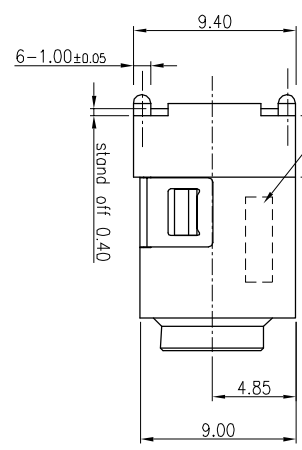
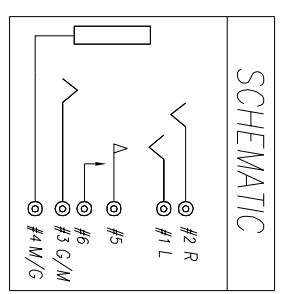
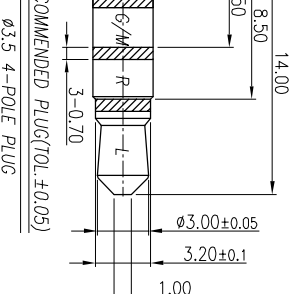
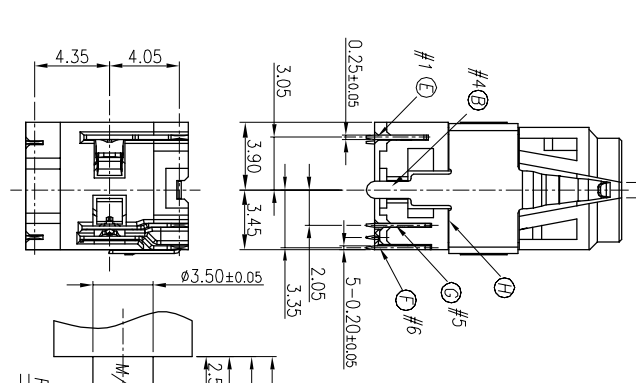
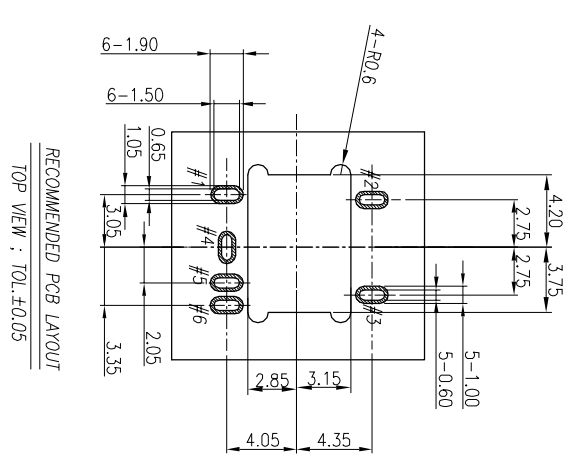


3D VIEW:

THE SURFACE OF MECHANISM ADJACENT TO PLUG SHALL BE INSULATED IF THE MECHANISM IS METAL.



- SPECIFICATIONS:**
- 1. ELECTRICAL CHARACTERISTICS:**
- 1-1. RATING: 12V 1A
 - 1-2. CONTACT RESISTANCE: 50mΩ MAX (INITIAL)
 - 1-3. DIELECTRIC WITHSTANDING VOLTAGE: 500V AC FOR ONE MINUTE
 - 1-4. INSULATION RESISTANCE: 100MΩ MIN. MEASURED BY 500 VDC
- 2. MECHANICAL CHARACTERISTICS:**
- 2-1. BEFORE LIFE TEST: INSERTION FORCE: 0.8-3.0 kgf.
EXTRACTION FORCE: 0.6-1.8 kgf.
 - 2-2. AFTER LIFE TEST: INSERTION FORCE: 2.5 kgf Max.
EXTRACTION FORCE: 0.5 kgf Min.
- 3. LIFE TEST: 2,000 CYCLES MIN.
 - 4. AFTER LIFE TEST, CONTACT RESISTANCE: 100mΩ MAX.
 - 5. PACKAGING : TAPE & REEL.
 - 6. MARKING: MARK "S" ON CONNECTOR.
 - 7. TO CONFORM TO SINGATRON HAZARDOUS SUBSTANCE FREE SPEC.
 - 8. HALOGEN FREE PRODUCT IDENTIFICATION MARK ON PRODUCT:
 - 9. HALOGEN FREE PRODUCT IDENTIFICATION LOGO ON PACKAGING:
 - 10. PRINTED DATE CODE "MMYY" ON TOP OF JACK.



NO	DESCRIPTION	QTY	MATERIAL	PLATING & COLOR
A	BODY	1	PA10T+30%GF R630NH UL 94V-0	BLACK
B	EARTH-SPRING	1	C5210-EH 0.2T	ALL OVER 500° Ni
C	RING-A	1	C5210-EH 0.2T	GOLD FLUSH ON CONTACT AREA GOLD FLUSH ON SOLDER AREA
D	RING-B	1	C5210-EH 0.2T	GOLD FLUSH ON CONTACT AREA
E	TIP-SPRING	1	SUS 304-1/2H 0.25T	
F	MAKE-TERMINAL	1	C5210-EH 0.2T	GOLD FLUSH ON CONTACT AREA GOLD FLUSH ON SOLDER AREA ALL OVER 500° Ni
G	TRANSFER-TERMINAL	1	C5210-EH 0.2T	
H	SEPARATOR	1	LCP E130I UL 94V-0	BLACK
J	Mylar	1	KAPTON 7*7*0.10T	YELLOW

UNLESS OTHERWISE SPECIFIED TOLERANCES

DECIMALS: ANGLES:

X : ±0.5 X : ±2°
X.X : ±0.3 X.X : ±1°
X.XX : ±0.2 X.XX : ±0.2

RECOMMENDED PCB LAYOUT
TOP VIEW : TOL:±0.05

RECOMMENDED PLUG(TOL:±0.05)
3.5 4-POLE PLUG

3.5Φ AUDIO JACK VERTICAL TYPE

SHIHONG PART NO. 2S13170-017111F

BRUCE SCALE 4:1 UNIT: mm

LIQO SIZE: A3 SHEET: 1 OF 1 REV: A

CUSTOMER COPY

REV.	ECN NO OR DESCRIPTION	REVISED	DATE
A	PDR NO. T230325-1A	Shihong	2023.12.18