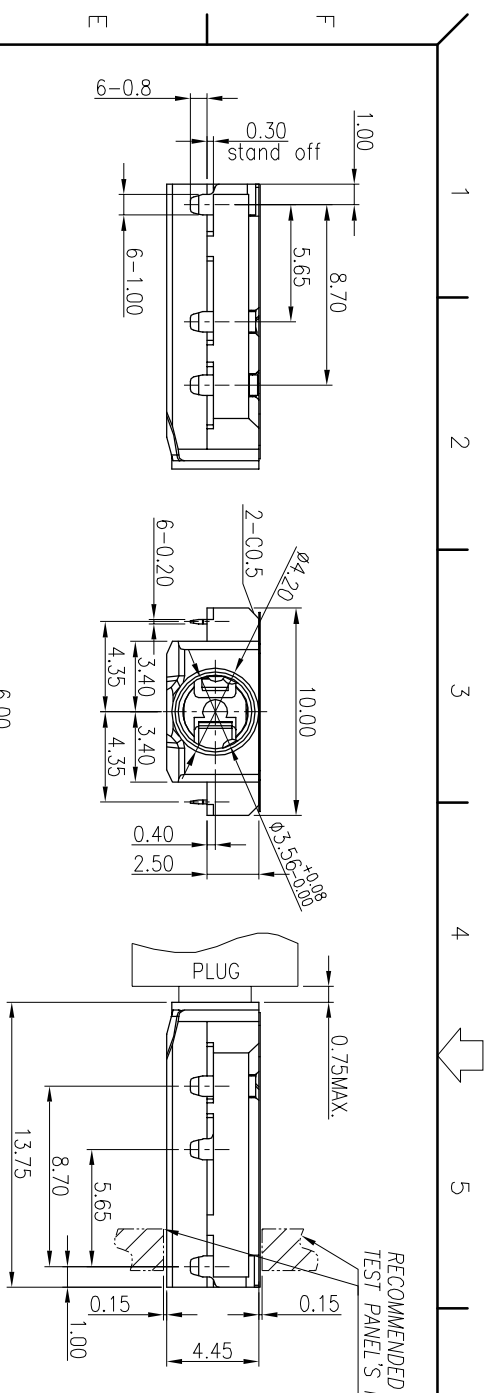
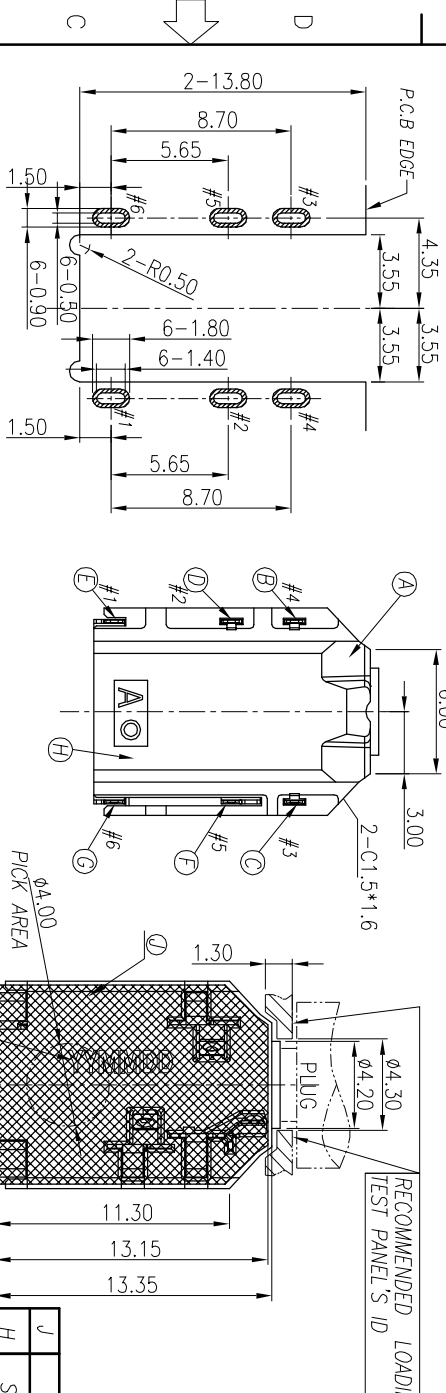


REV.	ECN NO.	OR DESCRIPTION	REVISED	DATE
A	PDR NO: T170731-3A	Qing	2017.11.29	

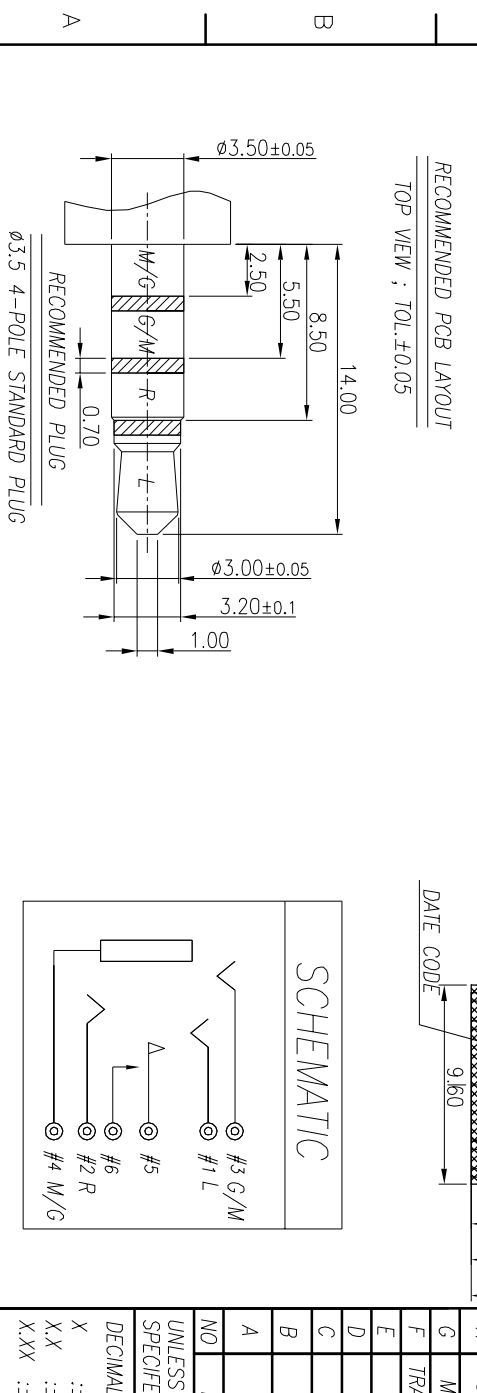


- RECOMMENDED LOADING TEST PANEL'S ID
- SPECIFICATIONS:
- ELECTRICAL CHARACTERISTICS:
 - RATING: 12V 1A
 - CONTACT RESISTANCE: 50mΩ MAX.(INITIAL)
 - DIELECTRIC WITHSTANDING VOLTAGE: 500V AC FOR ONE MINUTE.
 - INSULATION RESISTANCE: 100MΩ MIN. MEASURED BY 500 VDC.
 - MECHANICAL CHARACTERISTICS:
 - INSERTION FORCE: 0.3-3.0kgf
 - WITHDRAWAL FORCE: 0.3-3.0kgf
 - LIFE TEST: 5,000 CYCLES MIN.
 - AFTER LIFE TEST, CONTACT RESISTANCE: 120mΩ MAX.
 - PACKAGING : TAPE & REEL.
 - AFTER HUMIDITY TEST, INSULATION RESISTANCE: 50MΩ MIN.
 - TO CONFORM TO SINGATRON HAZARDOUS SUBSTANCE FREE SPEC.
 - HALOGEN FREE PRODUCT IDENTIFICATION MARK ON JACK:
 - HALOGEN FREE PRODUCT IDENTIFICATION LABEL ON PACKAGING:



RECOMMENDED LOADING TEST PANEL'S ID

J	MYLAR	1	KAPTON 0.081	YELLOW
H	SEPARATOR	1	HIGH TEMP.THERMOPLASTIC UL 94V-0	BLACK
G	MAKE TERMINAL	1	COPPER ALLOY, 0.2t	
F	TRANSFER TERMINAL	1	COPPER ALLOY, 0.2t	
E	TIP SPRING	1	COPPER ALLOY, 0.2t	GOLD FLASH ON CONTACT AREA.
D	RING A	1	COPPER ALLOY, 0.2t	GOLD FLASH ON SOLDER AREA.
C	RING B	1	COPPER ALLOY, 0.2t	ALL OVER 50μ" IN.
B	EARTH	1	COPPER ALLOY, 0.2t	
A	BODY	1	HIGH TEMP.THERMOPLASTIC UL 94V-0	BLACK
NO	DESCRIPTION	QTY	MATERIAL	PLATING & COLOR



RECOMMENDED PCB LAYOUT

TOP VIEW ; TOL.±0.05

RECOMMENDED PLUG

RECOMMENDED LOADING TEST PANEL'S ID

SPECIFICATIONS:

DECIMALS:	ANGLES:
X :±0.5	X :±2°
X.X :±0.3	X.X :±1°
X.XX :±0.2	

TITLE	3.5Φ PHONE JACK
DWN	Qing
CHKD	Bruce
APVD	Lussen
PART NO.	2S13175-001111F
SCALE	4:1
UNIT:	mm
SHEET:	1 OF 1
REV:	A

CUSTOMER COPY

Singatron Enterprise Co., Ltd.
信登企業股份有限公司