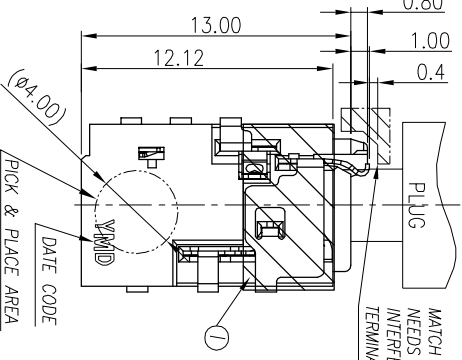
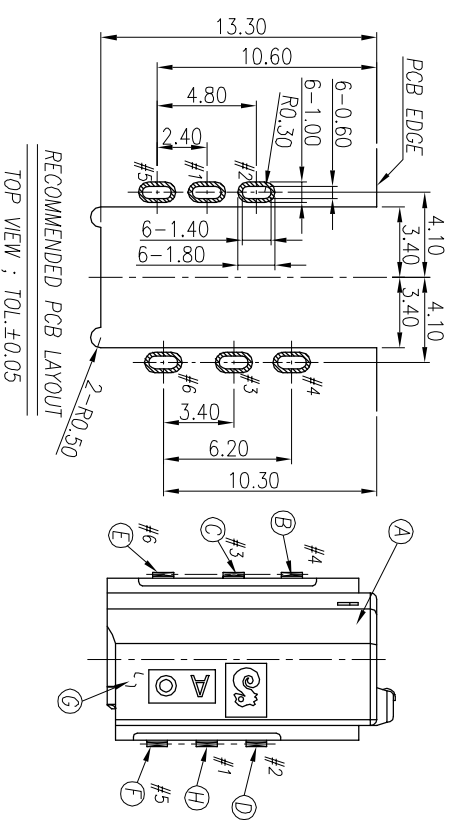
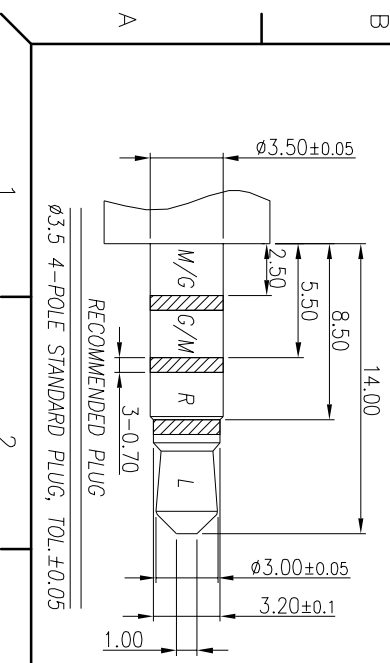
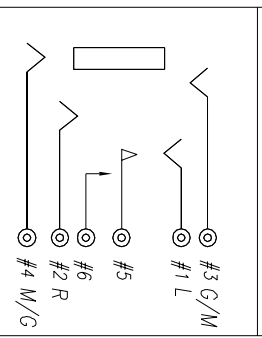


- SPECIFICATIONS:
- ELECTRICAL CHARACTERISTICS:
 - RATING: 12V 1A
 - CONTACT RESISTANCE: 50mΩ MAX.(INITIAL)
 - DIELECTRIC WITHSTANDING VOLTAGE: 500V AC FOR ONE MINUTE.
 - INSULATION RESISTANCE: 100MΩ MIN. MEASURED BY 500 VDC
 - MECHANICAL CHARACTERISTICS:
 - INSERTION FORCE : 5~20N
4~20N (AFTER LIFE TEST)
 - WITHDRAWAL FORCE : 5~20N
4~20N (AFTER LIFE TEST)



SCHEMATIC



I	MYLAR	1	T=0.06	BROWN
H	TIP SPRING	1	STAINLESS STEEL, 0.20T	GOLD FLASH ON CONTACT AREA; GOLD FLASH ON SOLDER AREA; ALL OVER 500° W.
G	SEPARATOR	1	THERMOPLASTIC, UL 94V-0	BLACK
F	TRANSFER TERMINAL	1	PHOSPHOR BRONZE 0.2T	
E	MAKE TERMINAL	1	PHOSPHOR BRONZE 0.2T	
D	RING A	1	PHOSPHOR BRONZE 0.2T	GOLD FLASH ON CONTACT AREA; GOLD FLASH ON SOLDER AREA; ALL OVER 500° W.
C	RING B	1	PHOSPHOR BRONZE 0.2T	
B	EARTH	1	PHOSPHOR BRONZE 0.2T	
A	BODY	1	THERMOPLASTIC, UL 94V-0	BLACK
NO	DESCRIPTION	QTY	MATERIAL	PLATING & COLOR
UNLESS OTHERWISE SPECIFIED TOLERANCES				
Singatron Enterprise Co., Ltd. 				
TITLE: 3.5Ø AUDIO JACK DWG: jinshuai PART NO. 2S3176-005111F CHKD: Bruce SCALE 4:1 UNIT: mm APVD: LIAO SIZE: A3 SHEET: 1 OF 1 REV: B CUSTOMER COPY				