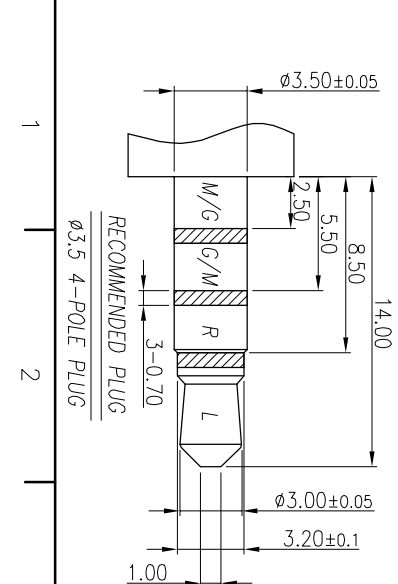


PICK AND PLACE AREA
DATE CODE AREA(VMD)

MATCH MECHANISM ID
NEEDS TO AVOID
INTERFERENCE WITH
TERMINAL WHEN PLUG IN.

REV	ECN NO OR DESCRIPTION	REVISED	DATE
A	PDR NO: T210714-1A	RAIN	2022.02.08

- SPECIFICATIONS:
- ELECTRICAL CHARACTERISTICS:
 - 1-1. RATING: 12V 1A
 - 1-2. CONTACT RESISTANCE: 50mΩ MAX.(INITIAL)
 - 1-3. DIELECTRIC WITHSTANDING VOLTAGE: 500V AC FOR ONE MINUTE.
 - 1-4. INSULATION RESISTANCE: 100MΩ MIN. MEASURED BY 500 VDC.
 - MECHANICAL CHARACTERISTICS:
 - 2-1. INSERTION FORCE: 0.8~3.0kgf INITIAL ; 2.5 Kgf Max.
 - 2-2. WITHDRAWAL FORCE: 0.6~1.8kgf INITIAL; 0.5 Kgf Min.
 - LIFE TEST: 2,000 CYCLES MIN.
 - AFTER LIFE TEST, CONTACT RESISTANCE: 100mΩ MAX.
 - PACKAGING: TAPE & REEL.
 - AFTER HUMIDITY TEST, INSULATION RESISTANCE: 50MΩ MIN.
 - TO CONFORM TO SINGATRON HAZARDOUS SUBSTANCE FREE SPEC.
 - HALOGEN FREE PRODUCT IDENTIFICATION MARK ON PRODUCT:
 - HALOGEN FREE PRODUCT IDENTIFICATION LOGO ON PACKAGING:
 - FOR REFLOW SOLDERING LEAD-FREE PROCESS.
 - PRINTED DATE CODE "VMD=" ON TOP OF JACK.



RECOMMENDED PCB LAYOUT
TOP VIEW: TOL.±0.05

RECOMMENDED LIMIT
SUPPORT STRUCTURE

SCHEMATIC

NO	DESCRIPTION	QTY	MATERIAL	PLATING & COLOR
A	BODY	1	HIGH TEMP.THERMOPLASTIC UL 94V-0	BLACK
B	EARTH	1	PHOSPHOR BRONZE 0.2T	
C	RING B	1	PHOSPHOR BRONZE 0.2T	
D	RING A	1	PHOSPHOR BRONZE 0.2T	
E	MAKE TERMINAL	1	PHOSPHOR BRONZE 0.2T	
F	TRANSFER TERMINAL	1	PHOSPHOR BRONZE 0.2T	
G	SEPARATOR	1	UL 94V-0	BLACK
H	TIP SPRING	1	STAINLESS STEEL, 0.2T	

UNLESS OTHERWISE SPECIFIED TOLERANCES

DECIMALS: ANGLES:

X :±0.5 X :±2°

X.X :±0.3 X.X :±1°

X.XX :±0.2

TITLE	3.5Φ AUDIO JACK R/A TYPE
DWN	RAIN
CHKD	BRUCE
APVD	LIAO
PART NO. 2S3176-009111F	
SCALE 4:1 UNIT: mm	
SIZE: A3 SHEET: 1 OF 1 REV: A	

Singatron Enterprise Co., Ltd.
信登企業股份有限公司

CUSTOMER COPY