

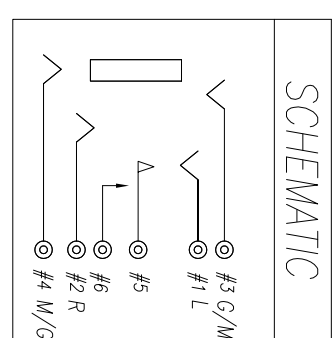
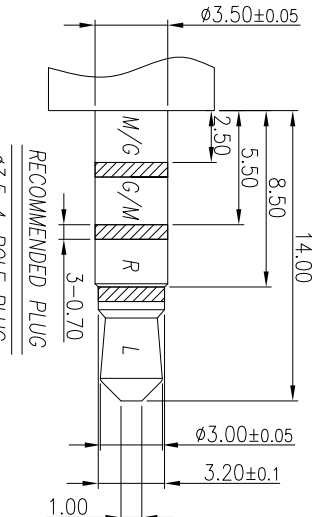
RECOMMENDED PCB LAYOUT  
TOP VIEW, TOL. ±0.05

PICK AND PLACE AREA  
DATE CODE AREA (VMD)

THE SURFACE MECHANISM PLUG SHALL BE INSULATED IF THE MECHANISM IS METAL.

MATCH MECHANISM ID NEEDS TO AVOID INTERFERENCE WITH TERMINAL WHEN PLUG IN.

RECOMMENDED LIMIT SUPPORT STRUCTURE



SPECIFICATIONS:

- ELECTRICAL CHARACTERISTICS:
  - RATING: 12V 1A
  - CONTACT RESISTANCE: 50mΩ MAX. (INITIAL)
  - DIELECTRIC WITHSTANDING VOLTAGE: 500V AC FOR ONE MINUTE.
  - INSULATION RESISTANCE: 100MΩ MIN. MEASURED BY 500 VDC.
- MECHANICAL CHARACTERISTICS:
  - INSERTION FORCE: 0.8~3.0Kgf INITIAL ; 2.5 Kgf Max.
  - WITHDRAWAL FORCE: 0.6~1.8Kgf INITIAL; 0.5 Kgf Min.
- LIFE TEST: 2,000 CYCLES MIN.
- AFTER LIFE TEST, CONTACT RESISTANCE: 100mΩ MAX.
- PACKAGING: TAPE & REEL.
- AFTER HUMIDITY TEST, INSULATION RESISTANCE: 50MΩ MIN.
- TO CONFORM TO SINGATRON HAZARDOUS SUBSTANCE FREE SPEC.
- HALOGEN FREE PRODUCT IDENTIFICATION MARK ON PRODUCT:
- HALOGEN FREE PRODUCT IDENTIFICATION LOGO ON PACKAGING:
- FOR REFLOW SOLDERING LEAD-FREE PROCESS.
- PRINTED DATE CODE "VMD" ON TOP OF JACK.

REV.	ECN NO. OR DESCRIPTION	REVISED	DATE
A	PDR NO.: T220616-3A	Qing	2023.03.16

NO	DESCRIPTION	QTY	MATERIAL	PLATING & COLOR
A	BODY	1	HIGH TEMP.THERMOPLASTIC UL 94V-0	BLACK
B	EARTH	1	PHOSPHOR BRONZE 0.2T	
C	RING B	1	PHOSPHOR BRONZE 0.2T	
D	RING A	1	PHOSPHOR BRONZE 0.2T	
E	MAKE TERMINAL	1	PHOSPHOR BRONZE 0.2T	
F	TRANSFER TERMINAL	1	PHOSPHOR BRONZE 0.2T	
G	SEPARATOR	1	UL 94V-0	BLACK
H	TIP SPRING	1	STAINLESS STEEL, 0.2T	

UNLESS OTHERWISE SPECIFIED TOLERANCES

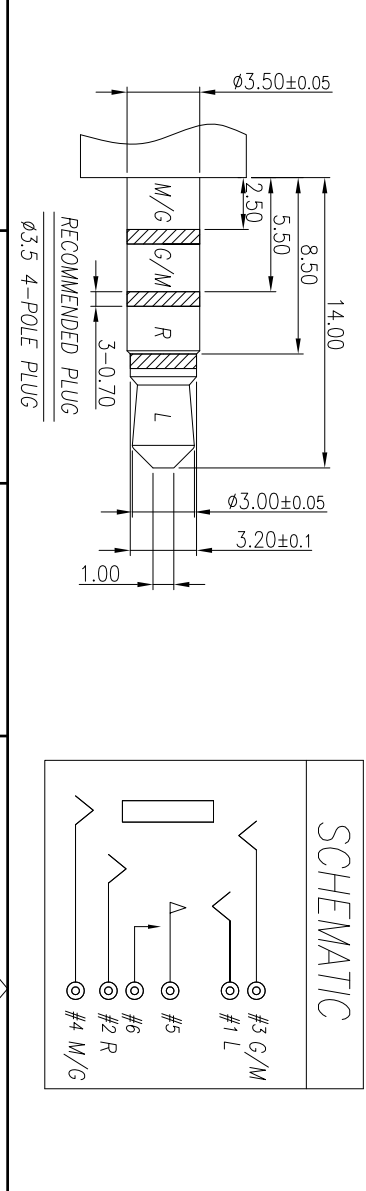
DECIMALS: ANGLES:

X : ±0.5 X : ±2°

X.X : ±0.3 X.X : ±1°

X.XX : ±0.2

1-3µm GOLD PLATING ON CONTACT AREA, 1-3µm GOLD PLATING ON SOLDER TAIL AREA, AND 5µm MIN. NICKEL UNDER PLATING.



TITLE	3.5Ø AUDIO JACK R/A TYPE
DWN	Qing
CHKD	Bruce
APVD	Liao

PART NO. 2S3176-01011F

SCALE 4:1 UNIT: mm

SIZE: A3 SHEET: 1 OF 1 REV: A

CUSTOMER COPY