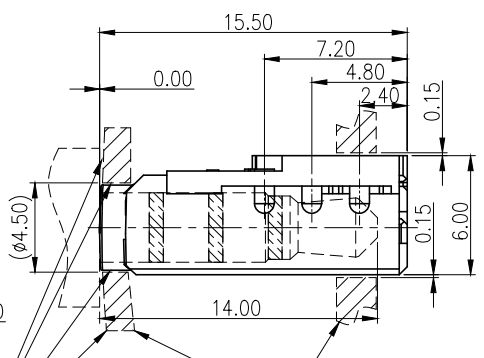
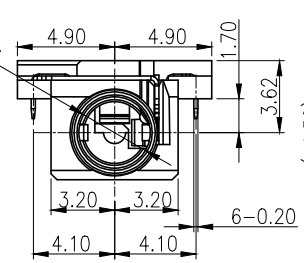
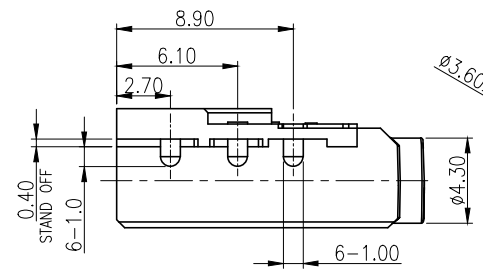


REV.	ECN NO OR DESCRIPTION	REVISED	DATE
A	PDR NO: T230523-2A	Jiujian	2023.12.12

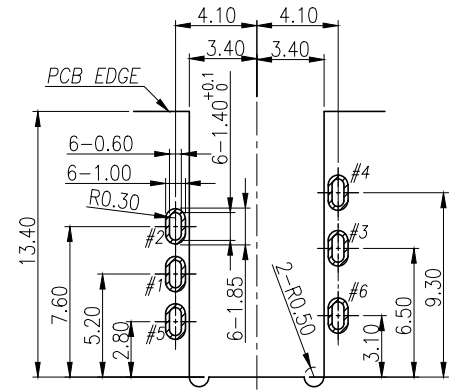


THE SURFACE MECHANISM PLUG SHALL BE INSULATED IF THE MECHANISM IS METAL.

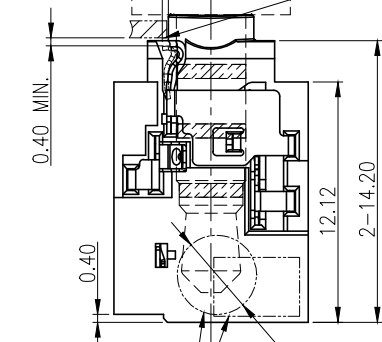
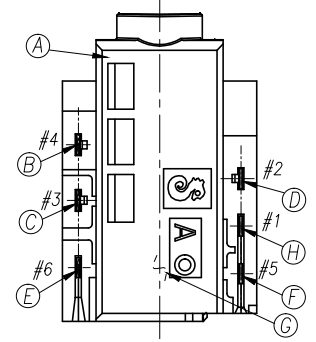
RECOMMENDED LIMIT SUPPORT STRUCTURE

+0.15
0.32 0

MATCH MECHANISM ID NEEDS TO AVOID INTERFERENCE WITH TERMINAL WHEN PLUG IN.



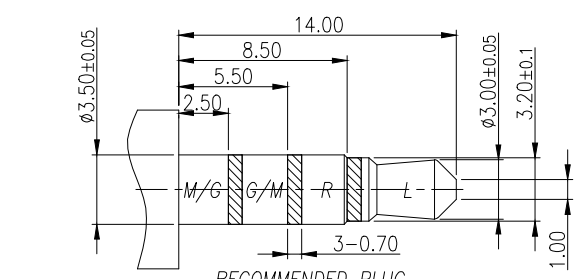
RECOMMENDED PCB LAYOUT
TOP VIEW; TOL.±0.05



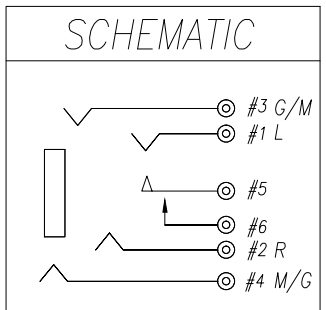
PICK AND PLACE AREA
DATE CODE AREA(YMD)

SPECIFICATIONS:

- ELECTRICAL CHARACTERISTICS:
 - RATING: 12V 1A
 - CONTACT RESISTANCE: 50mΩ MAX.(INITIAL)
 - DIELECTRIC WITHSTANDING VOLTAGE: 500V AC FOR ONE MINUTE.
 - INSULATION RESISTANCE: 100MΩ MIN. MEASURED BY 500 VDC.
- MECHANICAL CHARACTERISTICS:
 - INSERTION FORCE: 0.8~3.0Kgf INITIAL ; 2.5Kgf Max. AFTER LIFE TEST.
 - WITHDRAWAL FORCE: 0.6~1.8Kgf INITIAL; 0.5Kgf Min. AFTER LIFE TEST.
- LIFE TEST: 2,000 CYCLES MIN.
- AFTER LIFE TEST, CONTACT RESISTANCE: 100mΩ MAX.
- PACKAGING: TAPE & REEL.
- AFTER HUMIDITY TEST, INSULATION RESISTANCE: 50MΩ MIN.
- TO CONFORM TO SINGATRON HAZARDOUS SUBSTANCE FREE SPEC.
- HALOGEN FREE PRODUCT IDENTIFICATION MARK ON PRODUCT:
- HALOGEN FREE PRODUCT IDENTIFICATION LOGO ON PACKAGING:
- FOR REFLOW SOLDERING LEAD-FREE PROCESS.
- PRINTED DATE CODE "YMD-" ON TOP OF JACK.



RECOMMENDED PLUG
Ø3.5 4-POLE PLUG (TOL.±0.05)



H	TIP SPRING	1	STAINLESS STEEL, 0.2T	1-3µm GOLD PLATING ON CONTACT AREA, 1-3µm GOLD PLATING ON SOLDER TAIL AREA, AND 50µm MIN. NICKEL UNDER PLATING.
G	SEPARATOR	1	HIGH TEMP.THERMOPLASTIC UL 94V-0	BLACK
F	TRANSFER TERMINAL	1	PHOSPHOR BRONZE 0.2T	
E	MAKE TERMINAL	1	PHOSPHOR BRONZE 0.2T	1-3µm GOLD PLATING ON CONTACT AREA, 1-3µm GOLD PLATING ON SOLDER TAIL AREA, AND 50µm MIN. NICKEL UNDER PLATING.
D	RING A	1	PHOSPHOR BRONZE 0.2T	
C	RING B	1	PHOSPHOR BRONZE 0.2T	
B	EARTH	1	PHOSPHOR BRONZE 0.2T	
A	BODY	1	HIGH TEMP.THERMOPLASTIC UL 94V-0	BLACK
NO	DESCRIPTION	QTY	MATERIAL	PLATING & COLOR

UNLESS OTHERWISE SPECIFIED TOLERANCES		Singatron Enterprise Co., Ltd. 信音企業股份有限公司	
DECIMALS:		TITLE	
X :±0.5	X :±2'	Ø3.5 AUDIO JACK	
X.X :±0.3	X.X :±1'	DWN	Jiujian PART NO. 2SJ3176-013111F
X.XX :±0.2		CHKD	Bruce SCALE 4:1 UNIT: mm
		APVD	Liao SIZE: A3 SHEET:1 OF 1 REV: A
CUSTOMER COPY			