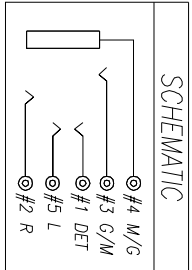
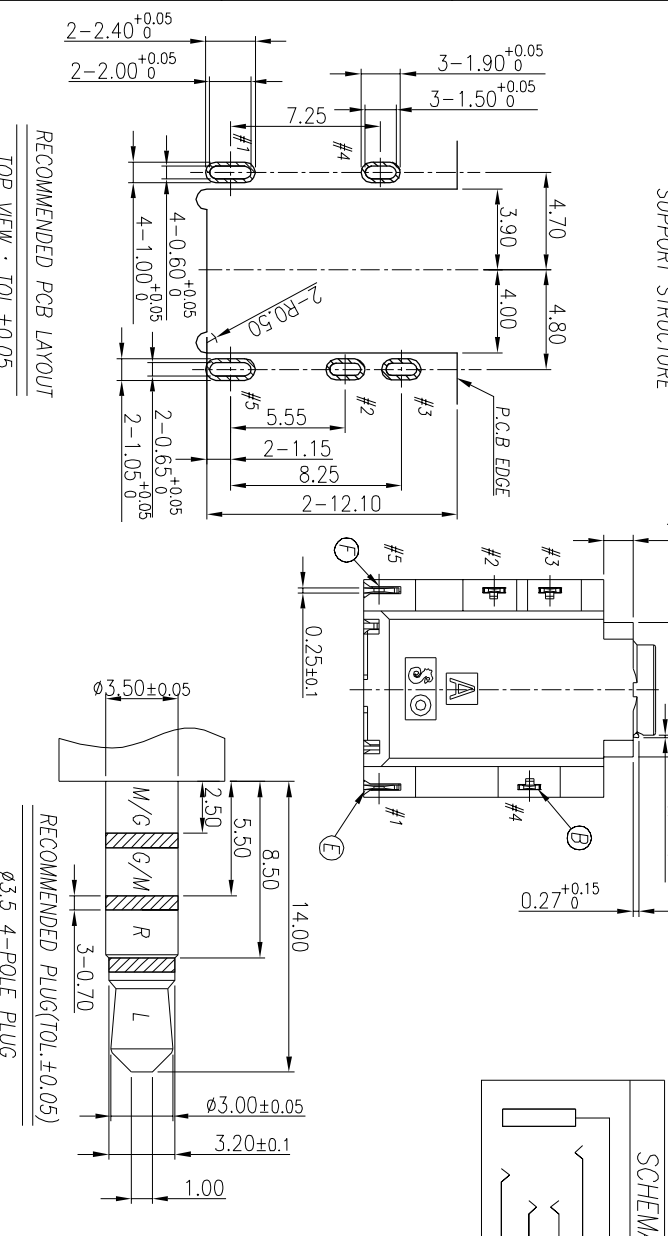
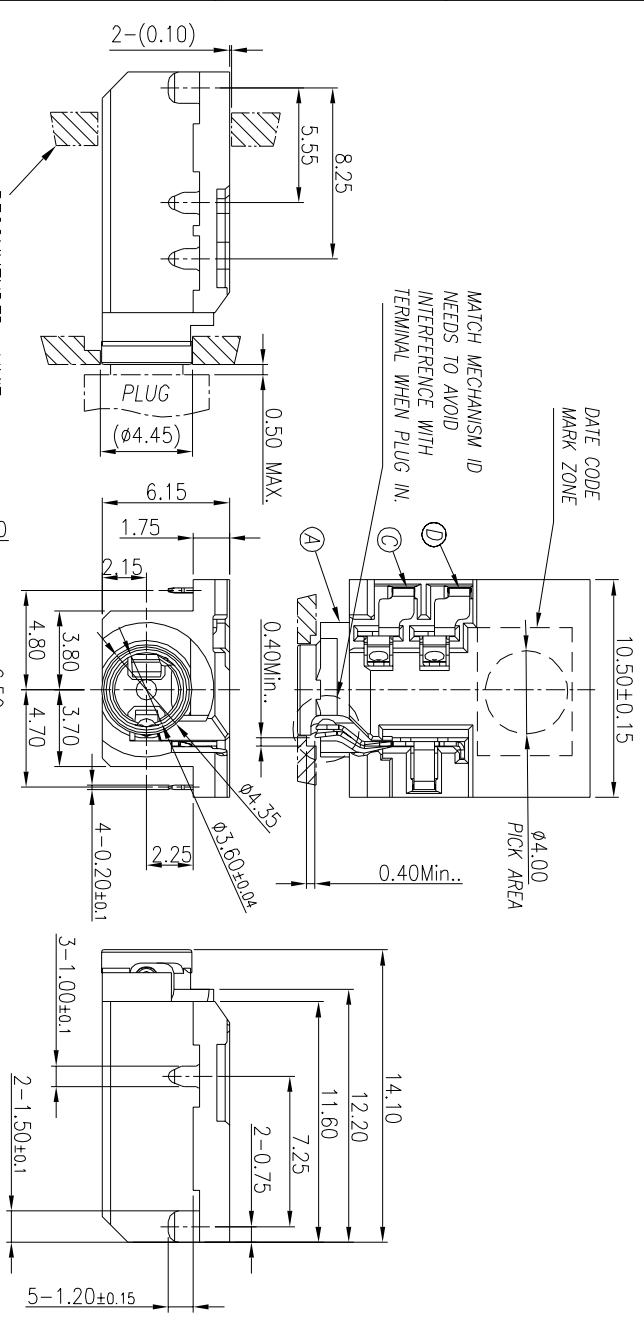


REV.	EGN NO OR DESCRIPTION	REVISED	DATE
A	PDR NO: S200414-1A	Peng	2020.09.17



- SPECIFICATIONS:
- ELECTRICAL CHARACTERISTICS:
    - 1-1. RATING: 12V 1A
    - 1-2. CONTACT RESISTANCE: 50mΩ MAX (INITIAL)
    - 1-3. DIELECTRIC WITHSTANDING VOLTAGE: 500V AC FOR ONE MINUTE.
    - 1-4. INSULATION RESISTANCE: 100MΩ MIN. MEASURED BY 500 VDC.
  - MECHANICAL CHARACTERISTICS:
    - 2-1. INSERTION FORCE: INITIAL 0.7-2.0kgf (AFTER THE FIFTH TIME); (TEST PLUG Ø2.98±0.02mm;)
    - 2-2. WITHDRAWAL FORCE: INITIAL 0.7-2.5kgf (AFTER THE FIFTH TIME); (TEST PLUG Ø2.98±0.02mm;)
  - LIFE TEST: 10000 CYCLES MIN.
  - AFTER LIFE TEST, CONTACT RESISTANCE: 100mΩ MAX.
  - PACKAGING: TAPE & REEL.
  - AFTER HUMIDITY TEST, INSULATION RESISTANCE: 50MΩ MIN.
  - TO CONFORM TO SINGATRON HAZARDOUS SUBSTANCE FREE SPEC.
  - HALOGEN FREE PRODUCT IDENTIFICATION MARK ON PRODUCT:
  - HALOGEN FREE PRODUCT IDENTIFICATION LOGO ON PACKAGING:
  - FOR LEAD-FREE PROCESS.
  - PRINTED DATE CODE "MM- " ON TOP OF CONNECTOR.
  - COMPLY WITH THE THRESHOLD OF SUBSTANCES WHICH ARE SPECIFIED IN ((00A-2049)).

NO	DESCRIPTION	QTY	MATERIAL	PLATING & COLOR
F	L (TIP)	1	STAINLESS STEEL 0.25t	
E	DET	1	PHOSPHOR BRONZE 0.2t	As 2u" ON CONTACT AREA
D	RING (RING-A)	1	PHOSPHOR BRONZE 0.2t	COLD FLUSH ON SOLDER AREA
C	GROUND (RING-B)	1	PHOSPHOR BRONZE 0.2t	ALL OVER 50u" MIN.
B	MIC (EARTH)	1	PHOSPHOR BRONZE 0.2t	
A	BODY	1	HIGH TEMP. THERMOPLASTIC	BLACK

UNLESS OTHERWISE SPECIFIED TOLERANCES

Singatron Enterprise Co., Ltd.  
信音企業股份有限公司

TITLE: 3.5Ø AUDIO JACK

DWN: Peng PART NO. 2S3183-000111F

CHKD: Bruce SCALE 4:1 UNIT: mm

APVD: Liao SIZE: A3 SHEET: 1 OF 1 REV: A

CUSTOMER COPY