

- NOTE:
- MATERIAL SPECIFICATION:
    - 1-1.PLASTIC BUSHING:PA66+15%G.F;COLOR:SEE TABLE, UL94 V-0.
    - 1-2.HOUSING:PA9T;COLOR:BLACK, UL94 V-0.
    - 1-3.COVER:LCP+30% G.F;COLOR:BLACK,UL94 V-0.
    - 1-4.SHIELD:STAINLESS STEEL;
    - 1-5.2-TIP TERMINAL&TIP TERMINAL: BRASS
    - 1-6.2-TS TERMINAL&TS TERMINAL: BRASS
    - 1-7.2-RS TERMINAL&RS TERMINAL: BRASS
    - 1-8.2-RING TERMINAL&RING TERMINAL: BRASS
    - 1-9.SLEEVE TERMINAL: BRASS
  - PLATING SPECIFICATION:
    - 2-1.CONTACTS:
      - Ni 50u" MIN. UNDER PLATED OVER ALL.
      - Au G/F PLATED ON THE FUNCTIONAL AREA OF CONTACT.
      - 80u" MIN TIN PLATED ON SOLDER AREA.
    - 2-2.SHIELD:
      - 30u" MIN TIN PLATED ON SOLDER AREA.
  - MECHANICAL PERFORMANCE,
    - 3-1.INSERTION FORCE: 3.0kgf MAX
    - 3-2.REMOVAL FORCE: 0.3kgf MIN
    - 3-3.DURABILITY: 1500 CYCLES.
  - ELECTRICAL PERFORMANCE,
    - 4-1.INSULATION RESISTANCE: 100MΩ MIN
    - 4-2.DIELECTRIC WITHSTAND VOLTAGE: AC 500V
  - HF COMPLIANT.
  - WAVE SOLDER:
    - THE CONNECTOR SHALL BE MOUNENTD ON THE PCB. THE TEMPERATURE OF THE SOLDER SHALL BE 260±5 °C AND IMMERSION DURATION 10 SECONDS.
  - OPERATING TEMPERATURE:-25°C TO 85°C

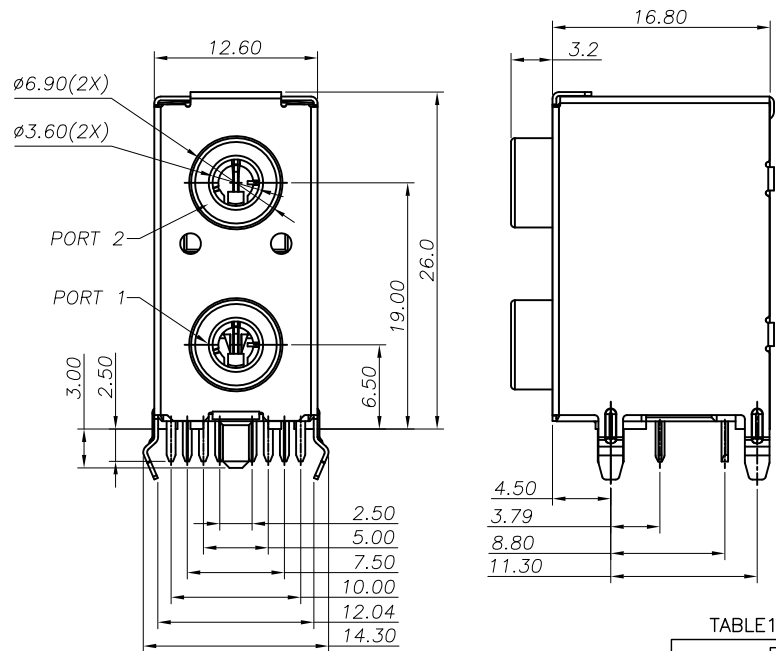


TABLE1

P/N	PORT 1	PORT 2	PLATING
2SJ343A-09DBT-TA0	PINK	GREEN	Au:1u"
2SJ343A-09DBT-TB0	BLUE	GREEN	Au:1u"
2SJ343A-09DBT-TC0	BLACK	BLACK	Au:1u"
2SJ343A-09DBT-TD0	GRAY	RED	Au:1u"

UNLESS OTHERWISE SPECIFIED			
DIMENSION ARE IN CENTIMETERS			
TOLERANCE ARE :			
FRACTION DECIMALS ANGLE			
.X	± 0.3	X'	± 5°
.XX	± 0.2	.X'	± 3°
.XXX	± 0.1		

Singatron Enterprise Co., Ltd.				
TITLE	AUDIO JACK 3.5mm			
DWN	BRAGG	PART NO. 2SJ343A-09DBT-TX0		
CHKD	2021/10/22	SCALE 1:1	UNIT: mm	①
APVD	YORK	SIZE: A3	SHEET:1 OF 1	REV: A
CUSTOMER COPY				