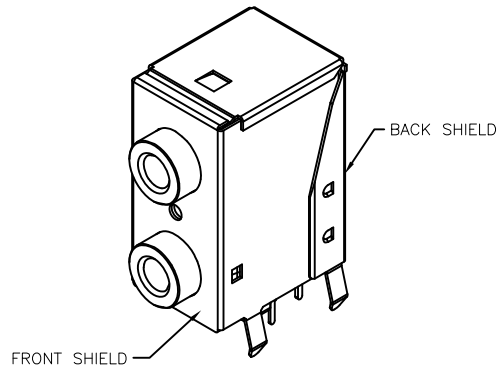
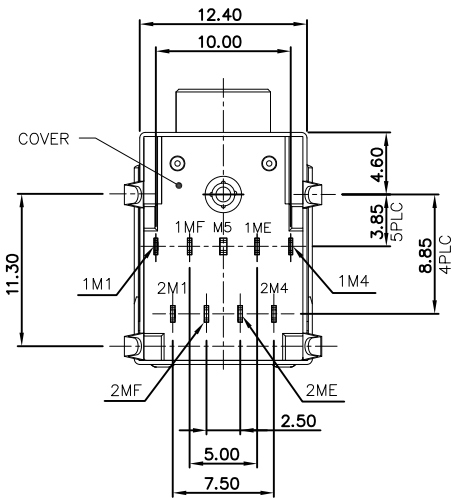


RECOMMENED PCB LAYOUT (THICKNESS=0.8~1.6mm)  
TOLERANCE FOR PCB LAYOUT: ±0.05 (TOP VIEW)

- NOTES:
- MATERIAL:
    - HOUSING/COVER/RING(A,B)/INSULATOR: PA9T W/ 27%GF, UL 94V-0; COLOR: BLACK
    - RING CONTACT(PIN#1M1/2M1): PBS, t=0.25±0.05mm
    - TIP CONTACT(PIN#1M4/2M4): PBS, t=0.25±0.05mm
    - CN CONTACT(PIN#1ME/2ME): BRASS, t=0.20±0.05mm
    - CS CONTACT(PIN#1MF/2MF): PBS, t=0.20±0.05mm
    - GND CONTACT(PIN#M5): BRASS, t=0.50±0.05mm
    - BRIDGE: BRASS, t=0.30±0.05mm
    - FRONT SHIELD: SPCC, t=0.30±0.05mm
    - BACK SHIELD: SPCC, t=0.30±0.05mm
  - FINISH:
    - BRIDGE/CONTACT(1M1/2M1/1M4/2M4/M5/1ME/2ME): 2.54um[100u"] MIN. BRIGHT-TIN PLATING ON OVERALL. 1.27um[50u"] MIN. NICKEL UNDERPLATED OVERALL .
    - 1MF/2MF CONTACT: GOLD FLASH AU PLATING ON CONTACT AREA. 1.27um[50u"] MIN. NICKEL UNDERPLATED OVERALL.
    - FRONT SHIELD: 1.27um[50u"] MIN. NICKEL PLATING ON OVERALL. 1.52um[60u"] MIN. COPPER UNDERPLATED OVERALL.
    - BLACK SHIELD: 2.54um[100u"] MIN. NICKEL PLATING ON OVERALL. 2.03um[80u"] MIN. COPPER UNDERPLATED OVERALL.
  - WAVE SOLDER CAPABLE TO 265°C. PER TE SPEC. 109-202 CONDITION B.
  - NO PIN MARK ON THE PRODUCT.
  - LOW HALOGEN SPECIFICATION: CHLORINE(Cl): 900ppm MAX. BROMINE(Br): 900ppm MAX.



2007/06/23

UNLESS OTHERWISE SOECIFIED  
DIMENSION ARE IN CENTIMETERS  
TOLERANCE ARE :  
FRACTION DECIMALS ANGLES

.X	± 0.3	"	± 5°
.XX	± 0.2	"	± 3°
.XXX	± 0.1		

Singatron Enterprise Co., Ltd.			
TITLE	AUDIO JACK 3.5mm		
DWN	BRAGG	PART NO.	2SJ343C-09DBT-THH
CHKD	BRAGG	SCALE 1:1	UNIT: mm
APVD	YORK	SIZE: A3	SHEET: 1 OF 1 REV:
CUSTOMER COPY			