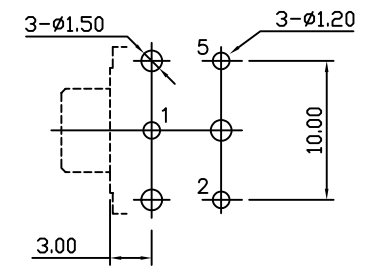
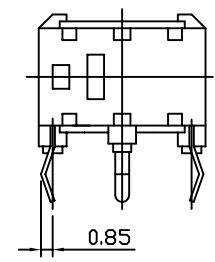
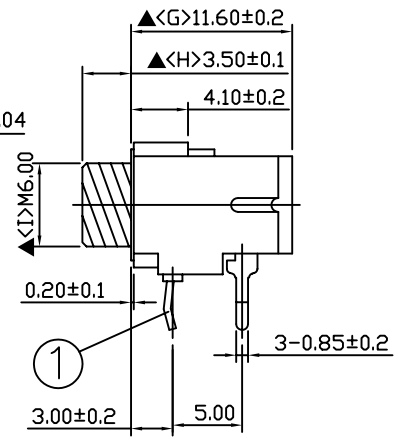
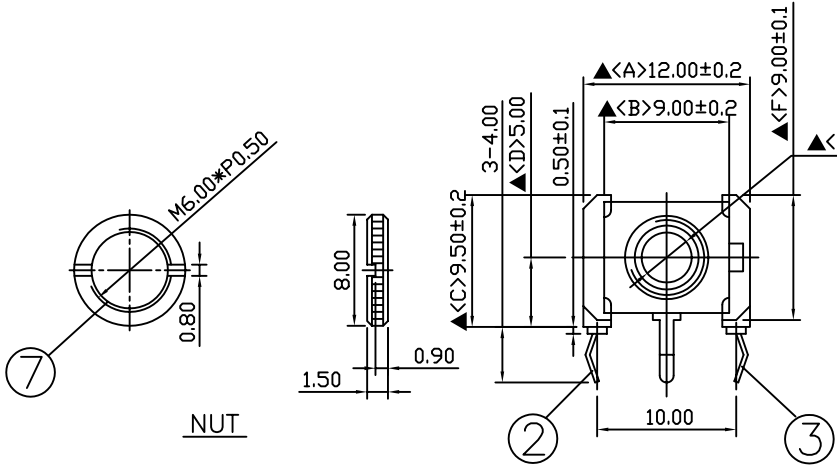
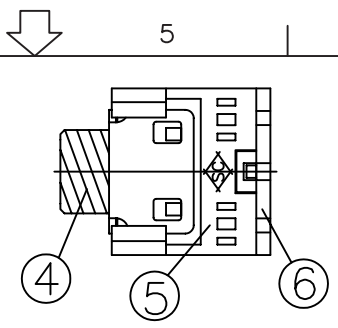
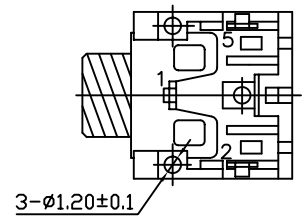


SCHEMATIC	
MODEL NO	X



Pin Hole Layout
(Jack Bottom View)



7.	Nut	1.5T Brass	1	Nickel Plated
6.	Cover	PBT	1	Black Color
5.	Housing	PBT	1	Black Color
4.	Sleeve(Barrel)	Brass	1	Nickel Plated
3.	Tip Spring	0.25T Phosphor Copper	1	Silver Plated
2.	Ring Spring	0.25T Phosphor Copper	1	Silver Plated
1.	Earth Terminal	0.5T Steel	1	Tin Plated
NO.	Description	Material	Q'TY	Finish

RoHS
Compliant

For Reference
僅供參考

SPECIFICATIONS:
 Contact Resistance : 30mΩ max
 Insulation Resistance : 100MΩ min. at DC 500V
 Dielectric Withstanding Voltage: AC 500V for one minute
 Remark: ▲: The Most Important Dimension

Singatron Enterprise Co., Ltd.			
TITLE	3.5φ PHONE JACK		
DWN	10.10.201	PART NO.	2SJ356-M1NXS1B00G
CHKD	SCALE 1:1	UNIT: mm	
APVD	SIZE: A3	SHEET: 1 OF 1	REV: 3.0
CUSTOMER COPY			