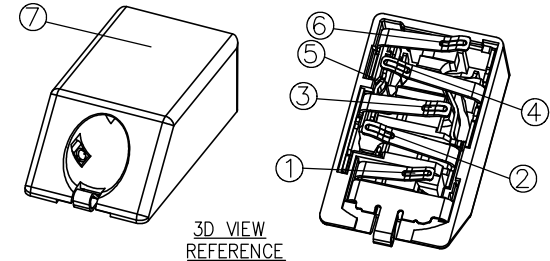
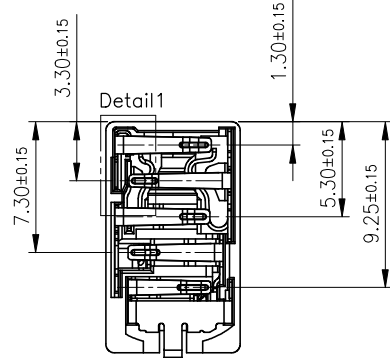
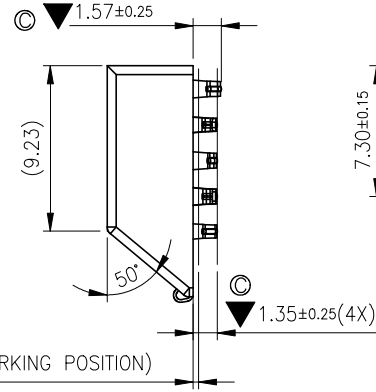
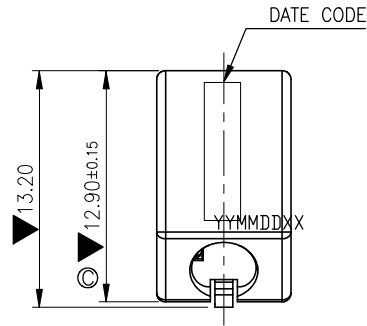
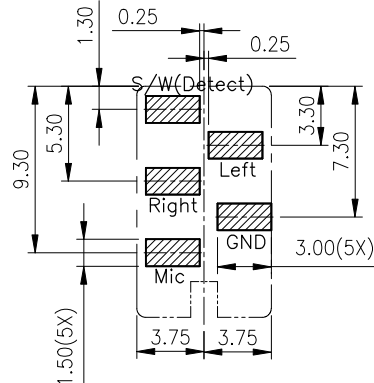
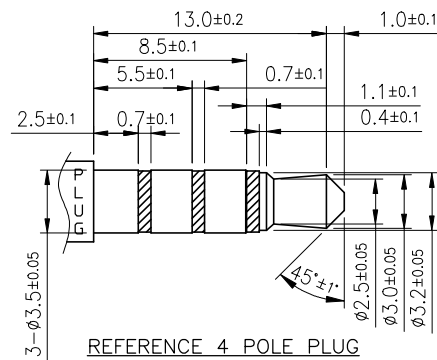
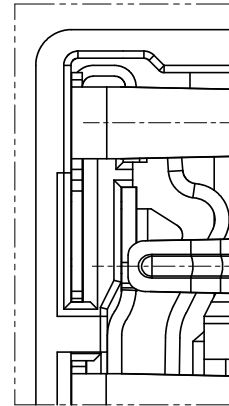
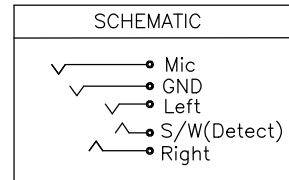
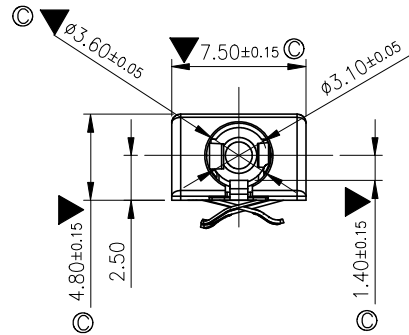


REV.	PART-NO.	DESCRIPTION	ISSUED
△	PDR-1410240004 DCN-1507034	First release	2015/07/27 SUNNY



Notes:

- ELECTRICAL CHARACTERISTICS:
 - CONTACT RESISTANCE: 50mohm MAX.(INITIAL), 100mohm MAX.(FINAL)
 - DIELECTRIC WITHSTANDING VOLTAGE: 500V AC FOR ONE MINUTE.
 - INSULATION RESISTANCE: 500Mohm MIN. MEASURED BY 500 VDC.
- MECHANICAL CHARACTERISTICS:
 - PLUG INSERTION FORCE: 4~30N ,
 - PLUG EXTRACTION FORCE: 4~30N ,
- DURABILITY TEST: 5,000 CYCLES.
- FOR CMT
- PLATING: GOLD FLASH PLATING ON OVERALL. 50~180u" NI UNDERPLATED OVERALL.
- PACKAGING: TRAY
- CPK DIMENSIONS: ◎
- DATE CODE: YYMMDDXX
 - XX:LINE
 - DD:DAY(01~31)
 - MM:MONTH (01~12)
 - YY:YEAR (14~)
- CRITICAL DIMENSIONS: ▼
- OPERATING TEMPERATURE:-25°C~+70°C.



RECOMMENDED PCB LAYOUT

NOTE : TOLERANCE FOR PCB LAYOUT IS ± 0.1

ITEM	DESCRIPTIONs	MATERIAL	FINISH	Q'TY	NOTE
⑦	HOUSING	PA9T-(GP2450NH)	-----	1	BLACK
⑥	CONTACT-S/W(SHUNT)	C5210R-EH	-----	1	t=0.15
⑤	CONTACT-S/W(Detect)	SUS 304-H	GOLD FLASH PLATING	1	t=0.2
④	CONTACT-Left	C19900-EH	ON OVERALL.	1	t=0.2
③	CONTACT-Right	C5210R-EH	50~180u" NI	1	t=0.2
②	CONTACT-GND	C19900-EH	UNDERPLATED OVERALL.	1	t=0.2
①	CONTACT-Mic	C19900-EH	-----	1	t=0.15

CUSTOMER

LEAD-FREE
HALOGE N-FREE

UNLESS OTHERWISE SPECIFIED
DIMENSION ARE IN MILLIMETERS
TOLERANCE ARE :
FRACTION DECIMALS ANGLES
.X ± 0.2 X' ± 5°
.XX ± 0.15 .X' ± 3°

Singatron Enterprise Co., Ltd.					
TITLE	φ3.5mm EAR JACK 4 POLE				
DWN	SUNNY 2015/07/27	PART NO.	2SJ3B8A-91D0-212	SCALE	1:1
CHKD	ANDY 2015/07/27	UNIT:	mm	SIZE:	A3
APVD	JINLIANG 2015/07/27	SHEET:	1 OF 1	REV:	A
CUSTOMER COPY					