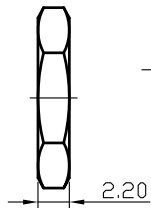
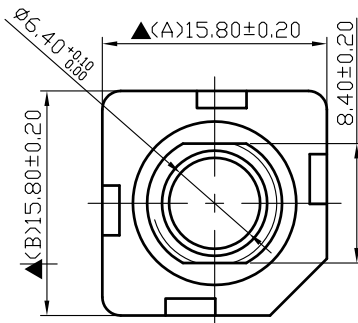


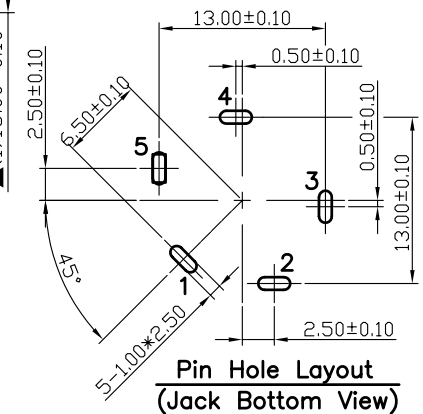
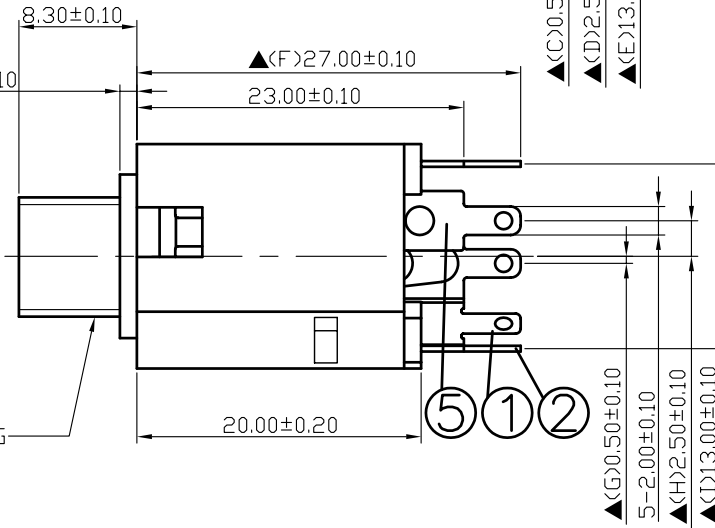
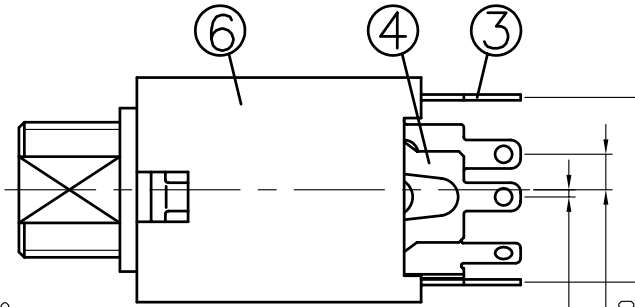
NUT



WASHER



$\phi 3/8'' \times 32W$ PLASTIC BUSHING



Pin Hole Layout
(Jack Bottom View)

TOLERANCE : $\pm 0.3\text{mm}$ UNLESS OTHERWISE SPECIFIED

8.	Washer	0.4T Brass	1	Nickel Plated
7.	Nut	2.2T Brass	1	Nickel Plated
6.	Housing	PBT	1	Black Color
5.	Ring Shunt	0.4T Brass	1	Silver Plated
4.	Ring Spring	0.4T Phosphor Bronze	1	Silver Plated
3.	Tip Spring	0.4T Phosphor Bronze	1	Silver Plated
2.	Tip Shunt	0.4T Brass	1	Silver Plated
1.	Earth Terminal	0.4T Brass	1	Silver Plated
NO.	Description	Material	Q 'TY	Finish

RoHS
Compliant

For Reference
僅供參考

SPECIFICATIONS:
 Contact Resistance : 30m Ω max
 Insulation Resistance : 100M Ω min. at DC 500V
 Dielectric Withstand Voltage : AC 500V for one minute
 Remark: \blacktriangle : The Most Important Dimension

Singatron Enterprise Co., Ltd.

TITLE	6.3 ϕ PHONE JACK		
DWN	10.12.2011	PART NO. 2SJ649-P20US4B00G	
CHKD	SCALE 1:1	UNIT: mm	
APVD	SIZE: A3	SHEET: 1 OF 1	REV: 3.0
CUSTOMER COPY			