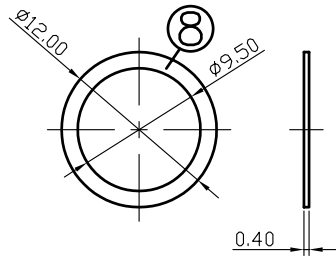
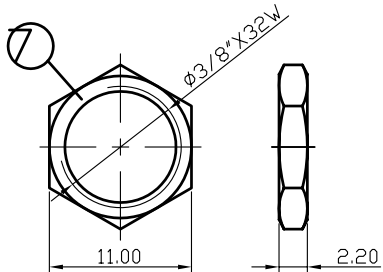
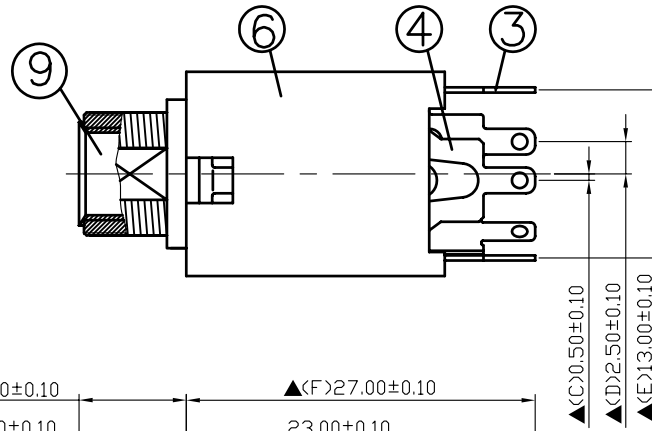


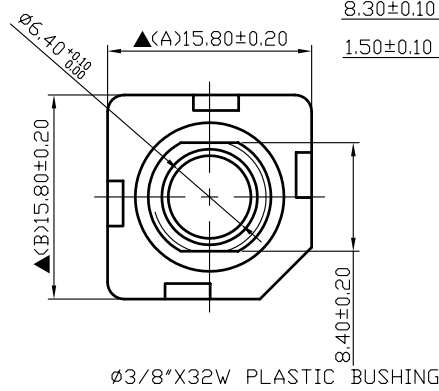
SCHEMATIC	
	MODEL NO U



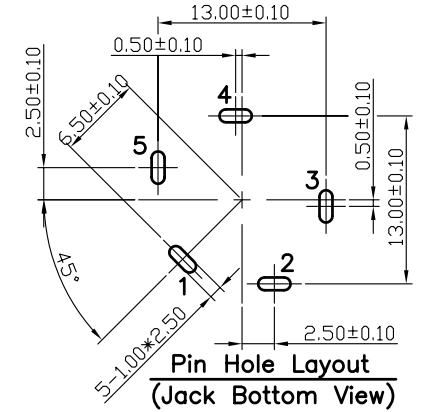
WASHER



NUT



$\phi 3/8 \times 32W$  PLASTIC BUSHING



Pin Hole Layout  
(Jack Bottom View)

TOLERANCE :  $\pm 0.3\text{mm}$  UNLESS OTHERWISE SPECIFIED

NO.	Description	Material	Q 'TY	Finish
9.	Bushing	Brass	1	Nickel Plated
8.	Washer	0.4T Brass	1	Nickel Plated
7.	Nut	2.2T Brass	1	Nickel Plated
6.	Housing	PBT	1	Black Color
5.	Ring Shunt	0.4T Brass	1	Silver Plated
4.	Ring Spring	0.4T Phosphor Bronze	1	Silver Plated
3.	Tip Spring	0.4T Phosphor Bronze	1	Silver Plated
2.	Tip Shunt	0.4T Brass	1	Silver Plated
1.	Earth Terminal	0.4T Brass	1	Silver Plated

RoHS  
Compliant

For Reference  
僅供參考

SPECIFICATIONS:

Contact Resistance :  $30\text{m}\Omega$  max  
 Insulation Resistance :  $100\text{M}\Omega$  min. at DC 500V  
 Dielectric Withstand Voltage : AC 500V for one minute  
 Remark: ▲: The Most Important Dimension

Singatron Enterprise Co., Ltd.

TITLE	6.3 $\phi$ PHONE JACK		
DWN	10.12.2011	PART NO.	2SJ649-R6NUS4B00G
CHKD	SCALE 1:1	UNIT:	mm
APVD	SIZE: A3	SHEET: 1 OF 1	REV: 2.0
CUSTOMER COPY			