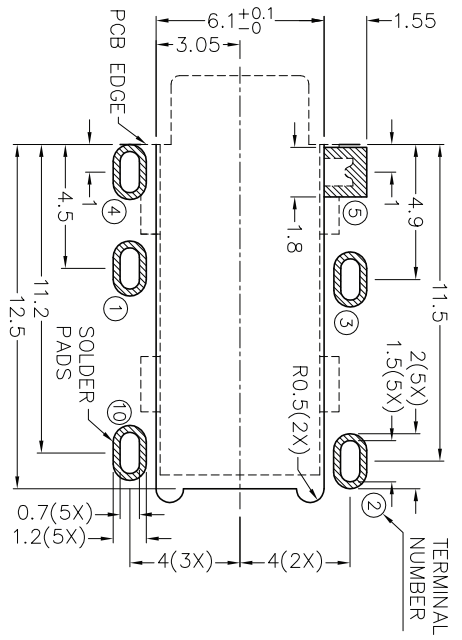
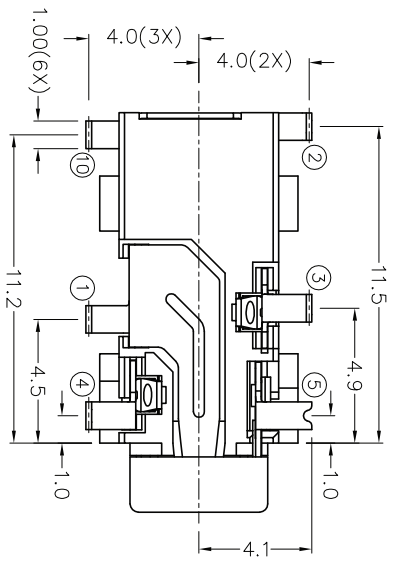
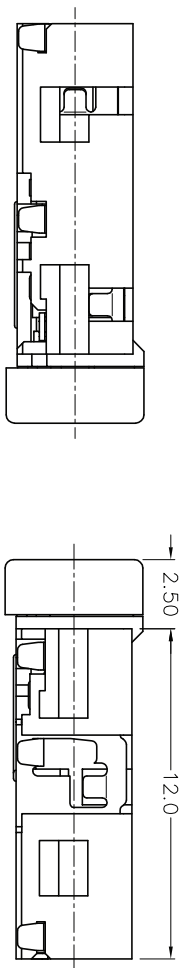
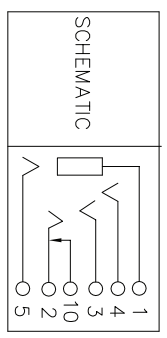
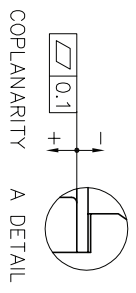
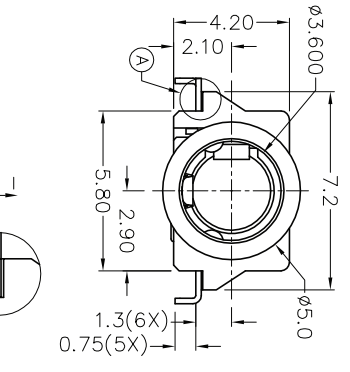


REV	ECN NO	OR	DESCRIPTION	REVISED	DATE
A	NEW			E/EN	2019.09.19



RECOMMENDED PCB LAYOUT  
TOLERANCE: ±0.05  
(TOP VIEW)



SPECIFICATIONS:

- ELECTRICAL CHARACTERISTICS:
  - CURRENT RATING: 1 AMP.
  - VOLTAGE RATING: 12V.
  - CONTACT RESISTANCE: 30mΩ MAX.(INITIAL)
  - INSULATION RESISTANCE: 100MΩ MIN. @ 500V DC.
  - DIELECTRIC WITHSTANDING VOLTAGE: 500V AC FOR 1 MINUTE.
- MECHANICAL CHARACTERISTICS:
  - INSERTION FORCE: 0.3~3.0 kgf.
  - WITHDRAWAL FORCE: 0.3~3.0 kgf.
  - LIFE TEST: 5,000 CYCLES.
  - TO CONFORM TO THE SINGATRON HAZARDOUS SUBSTANCE FREE SPEC.
  - FOR REFLOW SOLDERING LEAD-FREE PROCESS.

NO	DESCRIPTION	QTY	MATERIAL	PLATING & COLOR
A	HOUSING	1	PA10T	Black
B	BUSHING	1	BRASS	Nickel Plated
C	TERMINAL 10	1	COPPER ALLOY	Gold Flash
D	TERMINAL 5	1	STAINLESS STEEL	Gold Flash
E	TERMINAL 4	1	COPPER ALLOY	Gold Flash
F	TERMINAL 3	1	COPPER ALLOY	Gold Flash
G	TERMINAL 2	1	COPPER ALLOY	Gold Flash
H	TERMINAL 1	1	COPPER ALLOY	Gold Flash

UNLESS OTHERWISE SPECIFIED TOLERANCES

DECIMALS:	ANGLES:
X : ±0.5	X : ±2°
XX : ±0.3	XX : ±1°
X.XX : ±0.2	

TITLE	Singatron Enterprise Co., Ltd.			
DWN	EVEN	PART NO.	2SUT-091519511	
CHKD	2019.09.19	SCALE	1:1	UNIT: mm
APVD		SIZE	A3	SHEET: 1 OF 1
CUSTOMER COPY				