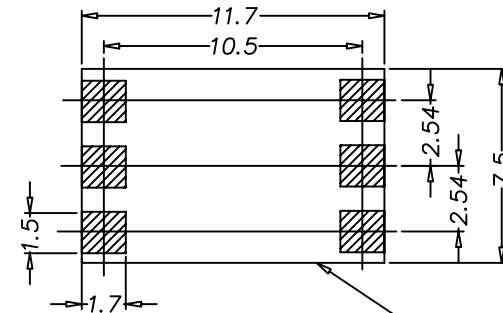
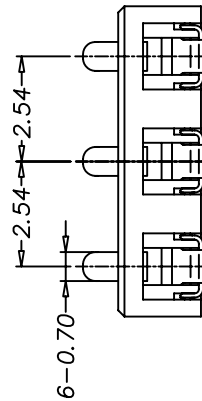
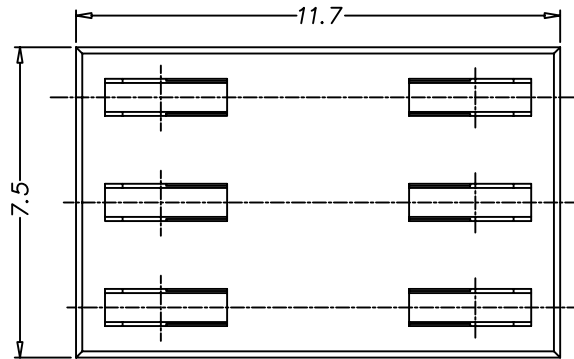
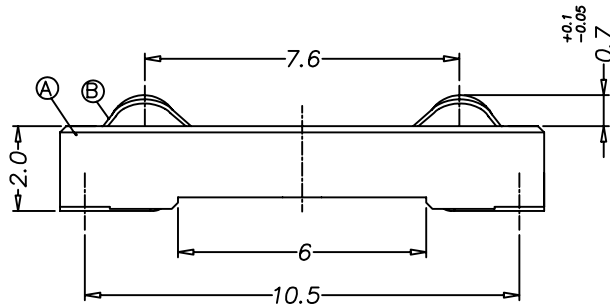


REV.	ECN NO OR DESCRIPTION	REVISED	DATE
A	PRODUCT RELEASE	AMY	2006/3/23



PRODUCT PROFILE

RECOMMENDED PCB LAYOUT TOL:±0.05mm
PRINTED SIDE SCALE 5:1



SPECIFICATIONS:

- 1.SEE SIM CARD CONNECTOR SPECIFICATIONS.
- 2.CONFORM TO SE-01-001 AND ROHS DIRECTIVE.
- 3.FOR LEAD FREE PROCESS.
- 4.PACKING: TAPE & REEL.
- 5.GREEN PRODUCT IDENTIFICATION LABEL IN PACKING: **G.P. PASS**

B	CONTACT	6	PBS 0.1T	Gold flash; contact area on Au 30°; all over nickel plating.
A	BODY	1	PA9T+30% GF UL 94V-0	BLACK COLOR
NO	DESCRIPTION	QTY	MATERIAL	PLATING & COLOR
UNLESS OTHERWISE SPECIFIED TOLERANCES		Singatron Enterprise Co., Ltd. 信音企業股份有限公司		
DECIMALS:	ANGLES:	TITLE	SIM CARD CONNECTOR (H:2.0)	
X :±0.5	X :±2°	DWN	AMY 2006.3.23	PART NO. 2SM-0020-002
X.X :±0.3	X.X :±1°	CHKD	KAN 2006.3.23	SCALE:8/1 UNIT: mm
X.XX :±0.2		APVD	ALAN 2006.3.23	SIZE: A3 SHEET: OF REV: A
CUSTOMER COPY				