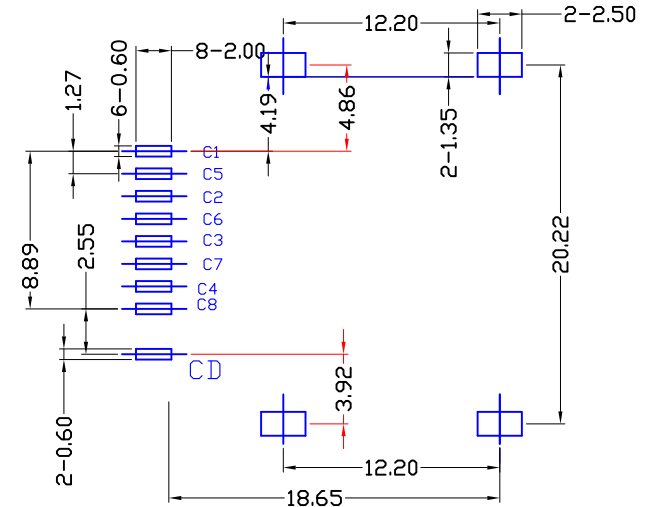
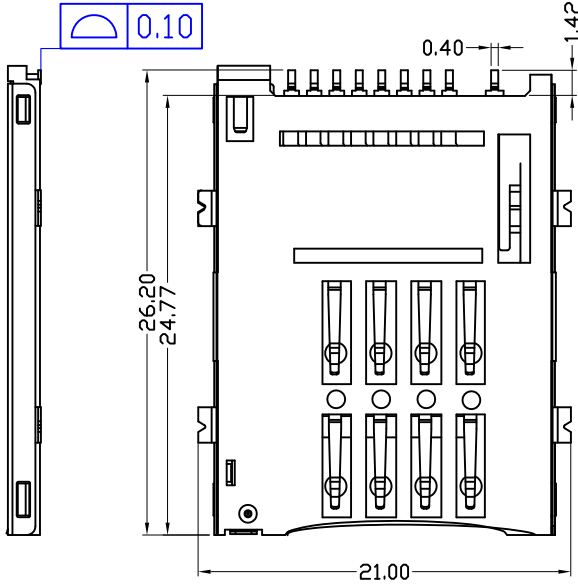
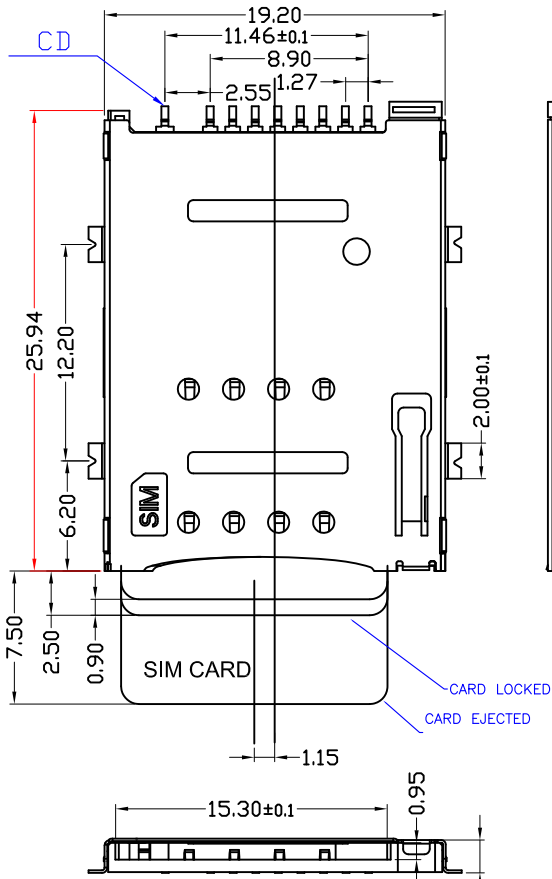


1 2 3 4 5 6 7 8

REVISIONS			
REV	DESCRIPTION	DATE	APPROVED
A	First Version	2015/01/15	Sam



RECOMMENDED PCB LAYOUT
TOL:±0.05

1.SPECIFICATIONS

INSULATION RESISTANCE: 500MΩ min.AT DC 500V DC
 WITHSTANDING VOLTAGE: 250V ACrms FOR 1 MINUTE
 CONTACT RESISTANCE: 100mΩ max. AT 10mA/20mV max
 CURRENT RATING: 0.5A
 VOLTAGE RATING: 5.0 vrms
 OPERATING TEMP.RANGE:-55° C+85° C
 MATING CYCLES: 5000 INSERTIONS

2.MATERIAL:

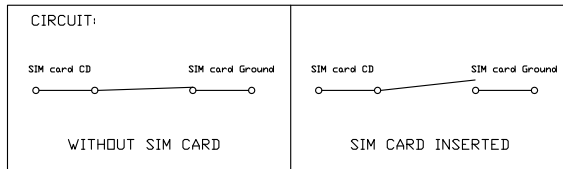
INSULATOR: Hi-TEMPERATURE PLASTIC,UL 94V-0, COLOR: BLACK
 TERMINAL: COPPER ALLOY,T=0.15mm
 SHELL: STAINLESS STEEL,T=0.15mm

3.FINISH:

TERMINAL:50u" min NICKEL UNDERPLATED ON ALLOVER,GOLD PLATING ON CONTACT ARER, 80u"min TIN ON SOLDER TAIL.
 SHELL:50u" NICKEL UNDERPLATED ON ALLOVER, GOLD FLASH ON SOLDER LATCH

4.PACKAGE: TAPE REEL PACKAGE, 700PCS/REEL,4200PCS/CARTON

SIM pin assignment	
PIN#	Name
C1	VCC
C2	RST
C3	CLK
C4	Reserved
C5	GND
C6	VPP
C7	I/O
C8	Reserved



Singatron Enterprise Co., Ltd.

TITLE	SIM Card Conn. 8+1 Push-Push Type		
DWN	Sam 2015/01/15	PART NO. 2SM-0111AAS06A	
CHKD	Joey 2015/01/15	SCALE 1:1	UNIT: mm
APVD	Tom 2015/01/15	SIZE: A3	SHEET:1 OF 1
		REV: A	

CUSTOMER COPY

X±	X°± 1°
.X±0.38	.X°± °
.XX±0.25	.XX°± °
.XXX±0.10	.XXX°± °

1 2 3 4 5 6 7 8