

Rev.	Description	Date	Drawn	Checked
A	INITIAL RELEASE	2016.11.01	SWC	

MATERIALS

HOUSING: THERMOPLASTIC, UL 94V-0; COLOR: BLACK
 TERMINAL: COPPER ALLOY, NICKEL UNDER PLATED OVER ALL GOLD PLATED CONTACT AREA
 TIN PLATED SOLDER AREA
 SHELL: STAINLESS STEEL NICKEL PLATED OVER ALL. GOLD PLATED ON SOLDER TAILS
 COIL : SWP
 CAM ROD: STAINLESS STEEL Ni/Au PLATED

SPECIFICATION

CURRENT RATING: 1 AMP MAX
 DIELECTRIC WITHSTANDING: 500V AC FOR ONE MINUTE
 CONTACT RESISTANCE: 100m OHMS MAX
 INSULATION RESISTANCE: 1000M OHMS MIN AT DC 250V
 OPERATION TEMPERATURE: -25°C~+85°C

PART NUMBER

2SM40GIH - 0 6 * T - 1 2 A L

SERIES ———— LEAD FREE
 NO. OF POS. ———— TAPE REEL PACKAGE
 CONTACT PLATED OPTION ———— PLATING ON SOLDER TAIL
 T: TIN
 1: GOLD FLASH
 2: 5u" GOLD
 3: 10u" GOLD
 4: 15u" GOLD

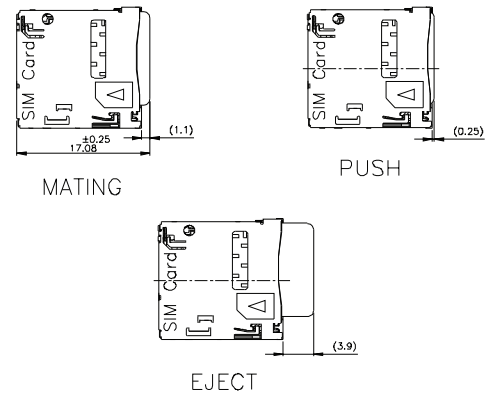
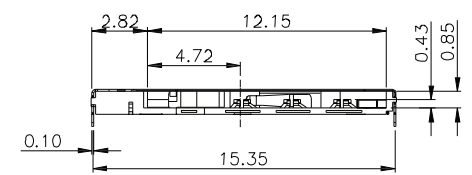
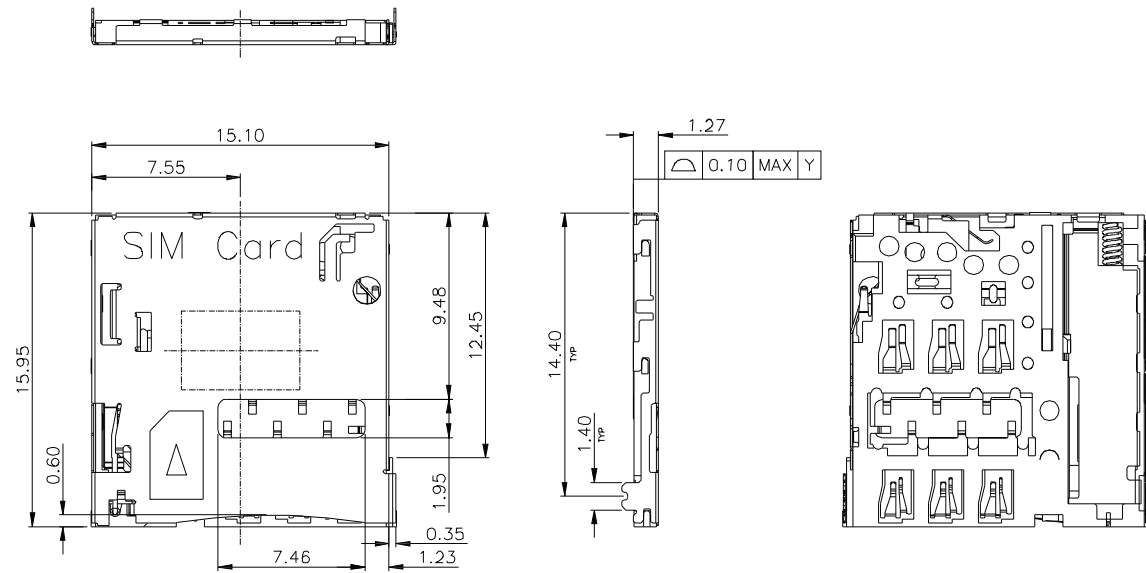
UNLESS OTHERWISE SPECIFIED TOLERANCES

DECIMALS: ANGLES:
 X : ±0.5 X : ±2°
 X.X : ±0.3 X.X : ±1°
 X.XX : ±0.25

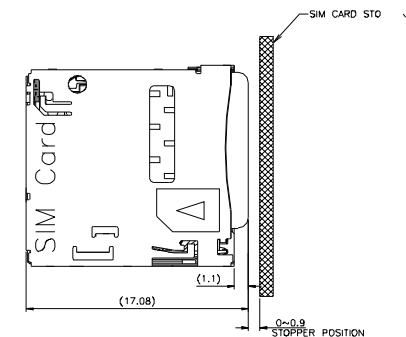
Singatron Enterprise Co., Ltd.

TITLE	MICRO SIM CARD, 6 PIN, DIP+SMT, METAL SHIELD, FEMALE, P-P TYPE, H=1.35 mm		
DWN	SWC 2016.11.11	PART NO. 2SM40GIH-06XT-12AL	
CHKD	SCALE 1:1	UNIT: mm	⊕
APVD	SIZE: A3	SHEET: 1 OF 3	REV: A

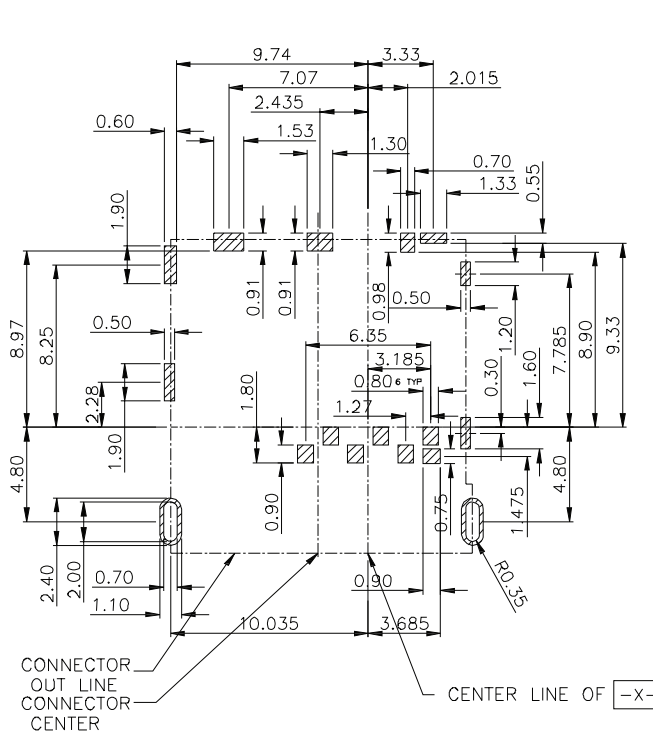
CUSTOMER COPY



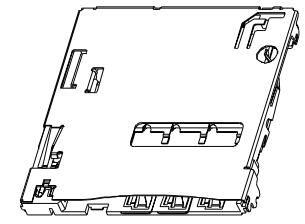
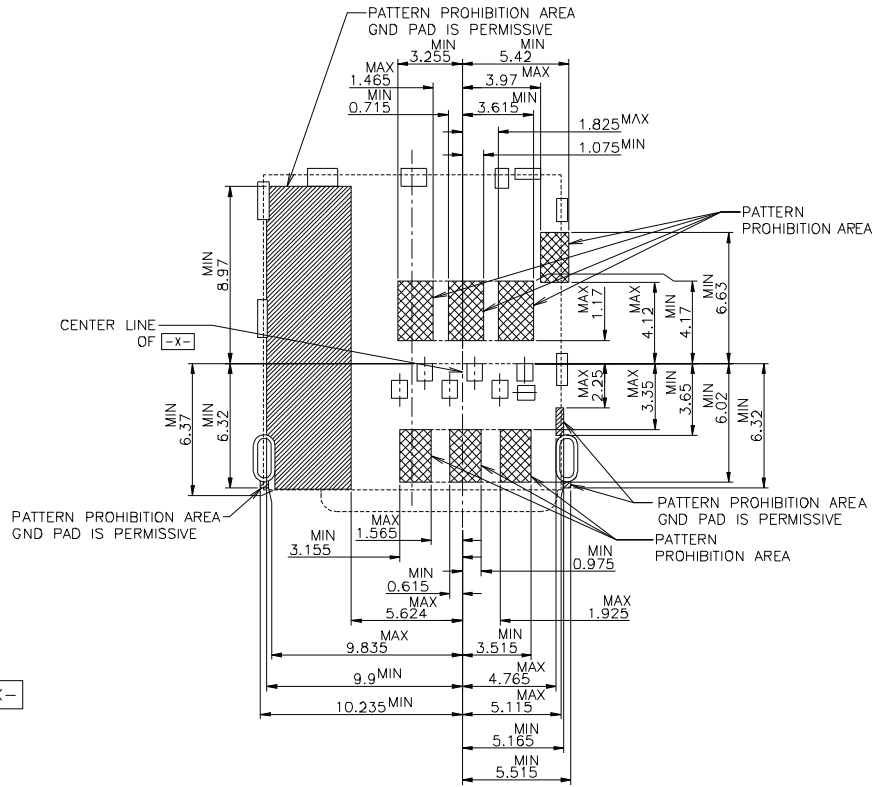
THERE IS NO MICRO SIM CARD LOCK IN THIS CONNECTOR. CARD STOPPER AS SHOWN BELOW MUST BE NECESSARY.



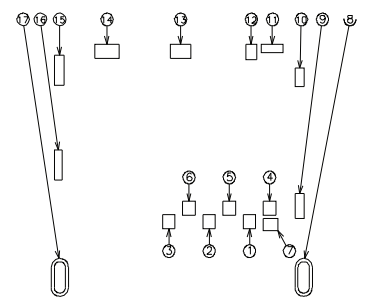
Rev.	Description	Date	Drawn	Checked
A	INITIAL RELEASE	2016.11.01	SWC	



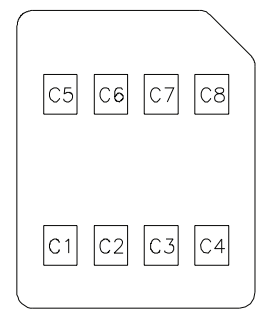
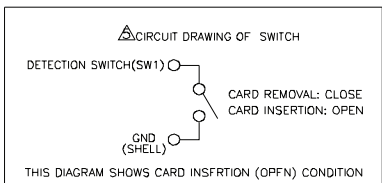
RECOMMENDED PCB LAYOUT
TOLERANCES ±0.05



3D VIEW



PCB LAYOUT (REFERENCE)
(VIEWED FROM CONNECTOR MOUNT SIDE)



SIM CARD PAD LAYOUT

Connector Pin Assignment

No.	Pin Name	Description
①	C1	Vcc of SIM
②	C2	RST of SIM
③	C3	CLK of SIM
④	C5	GND of SIM
⑤	C6	Vpp of SIM
⑥	C7	I/O of SIM
⑦	SW	Detection Switch
⑧~⑰	GND	Shell Ground

SIM Card Pin Assignment

Pin No.	Name
C1	Vcc
C2	RST
C3	CLK
C4	Reserved
C5	GND
C6	Vpp
C7	I/O
C8	Reserved

UNLESS OTHERWISE SPECIFIED TOLERANCES

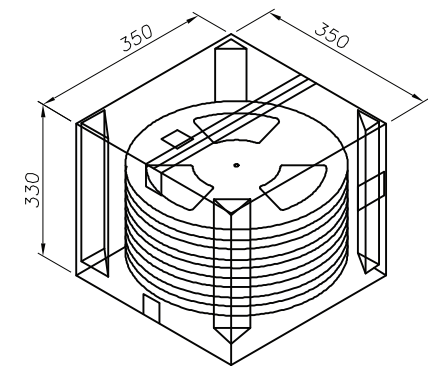
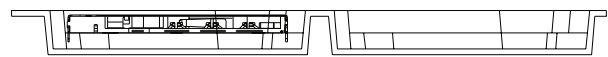
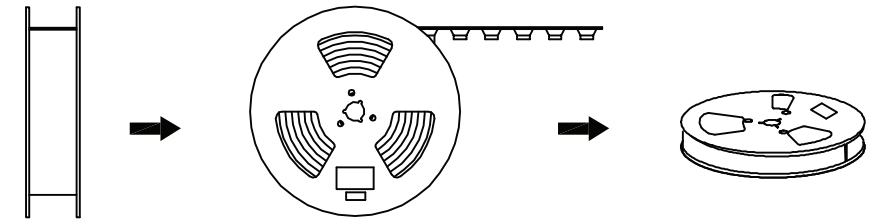
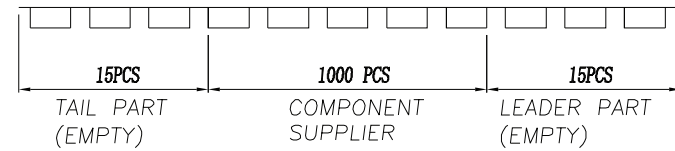
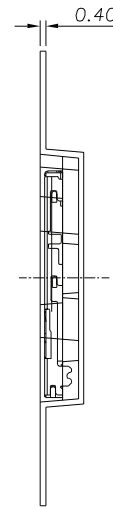
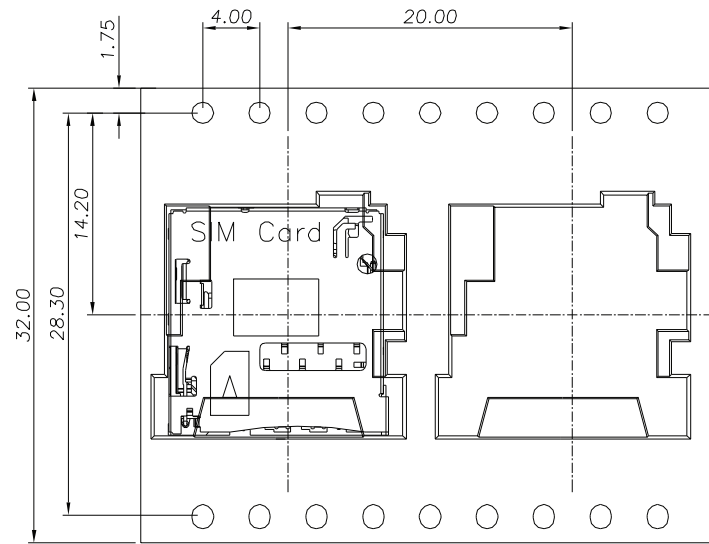
DECIMALS:	ANGLES:
X ±0.5	X ±2°
XX ±0.3	XX ±1°
XXX ±0.25	

Singatron Enterprise Co., Ltd.

TITLE	MICRO SIM CARD, 6 PIN, DIP+SMT, METAL SHIELD, FEMALE, P-P TYPE, H=1.35 mm		
DWN	SWC 2016.11.01	PART NO.	2SM40GIH-06XT-12AL
CHKD	SCALE 1:1	UNIT:	mm
APVD	SIZE: A3	SHEET:	2 OF 3

CUSTOMER COPY

Rev.	Description	Date	Drawn	Checked
A	INITIAL RELEASE	2016.11.01	SWC	



NOTE:

Q' ty: 1000PCS/REEL, 8REEL/CARTON, 8000PCS/CARTON

UNLESS OTHERWISE SPECIFIED TOLERANCES		Singatron Enterprise Co., Ltd.		
DECIMALS:	ANGLES:	TITLE	MICRO SIM CARD, 6 PIN, DIP+SMT, METAL SHIELD, FEMALE, P-P TYPE, H=1.35 mm	
X :±0.5	X :±2°	DWN	SWC 2016.11.01	PART NO. 2SM40GIH-06XT-12AL
X.X :±0.3	X.X :±1°	CHKD	SCALE 1:1	UNIT: mm
X.XX :±0.25		APVD	SIZE: A3	SHEET: 3 OF 3
CUSTOMER COPY				