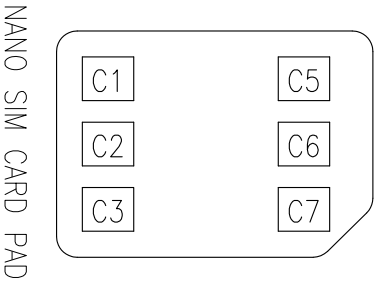
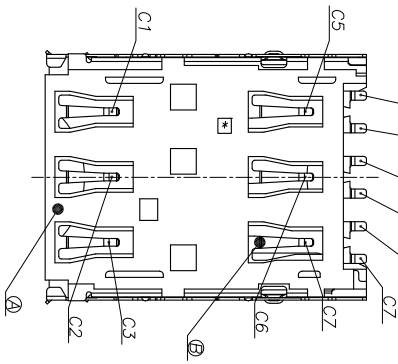
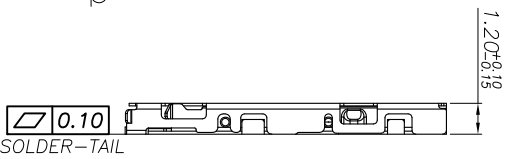
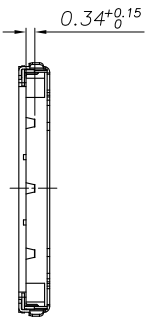
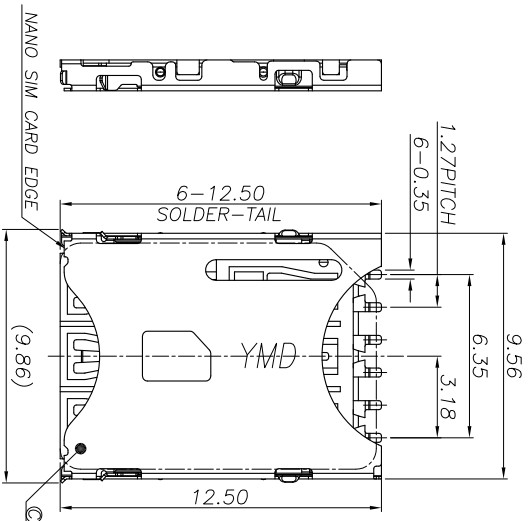
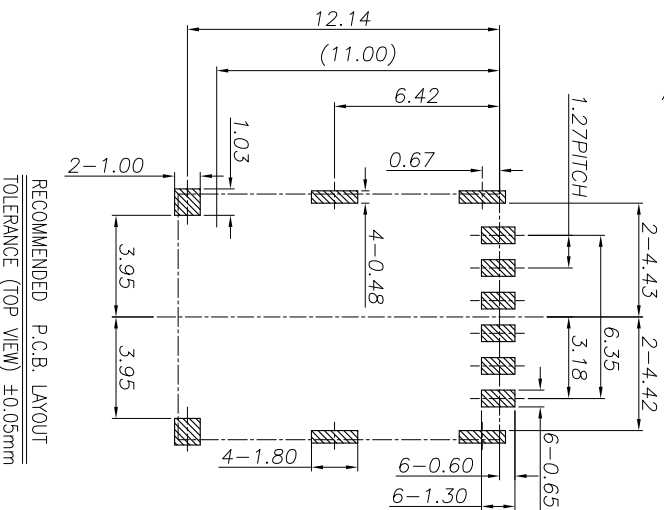


REV.	EGN NO.	OR DESCRIPTION	REVISED	DATE
A	PRODUCT RELEASE		Longjiang	2014.12.15

- SPECIFICATIONS:
- ELECTRICAL CHARACTERISTICS:
 - CURRENT RATING: 1A
 - DIELECTRIC WITHSTANDING VOLTAGE: 500V R.M.S MIN.
 - INSULATION RESISTANCE: 500MΩ MIN.
 - CONTACT RESISTANCE: 100mΩ MAX. (INITIAL)
 - LIFE TEST: 1500 CYCLES.
 - OTHER GENERAL SPEC. TO REFER "2SM2021-000111F SPEC".
 - TO CONFORM TO SINGATRON HAZARDOUS SUBSTANCE FREE SPEC.
 - HALOGEN FREE PRODUCT IDENTIFICATION MARK ON PRODUCT: ©
 - HALOGEN FREE PRODUCT IDENTIFICATION LABEL ON PACKAGING: ©
 - FOR REFLOW SOLDERING LEAD-FREE PROCESS.
 - PACKAGING: TAPE & REEL.



NANO SIM CARD PAD



RECOMMENDED P.C.B. LAYOUT
TOLERANCE (TOP VIEW) ±0.05mm

C	SHELL	1	STAINLESS STEEL 0.10T	NICKEL PLATING OVER ALL
B	CONTACT	1	COPPER ALLOY 0.10T	GOLD FLASH ON CONTACT AREA AND SOLDER AREA 50μ MIN NICKEL UNDER-PLATED
A	HOUSING	1	HIGH TEMP. THERMOPLASTIC UL 94V-0	BLACK
NO	DESCRIPTION	QTY	MATERIAL	PLATING & COLOR
UNLESS OTHERWISE SPECIFIED TOLERANCES				
Singatron Enterprise Co., Ltd. 信亨企業股份有限公司				
TITLE NANO SIM CARD READER PUSH&PULL TYPE(H=1.20mm)				
DWG Longjiang 14/12/14 PART NO. 2SM2021-000111F				
CHKD ZJZ 14/12/14 SCALE 5:1 UNIT: mm				
APVD WXX 14/12/14 SIZE: A3 SHEET: 1 OF 1 REV: A				

CUSTOMER COPY