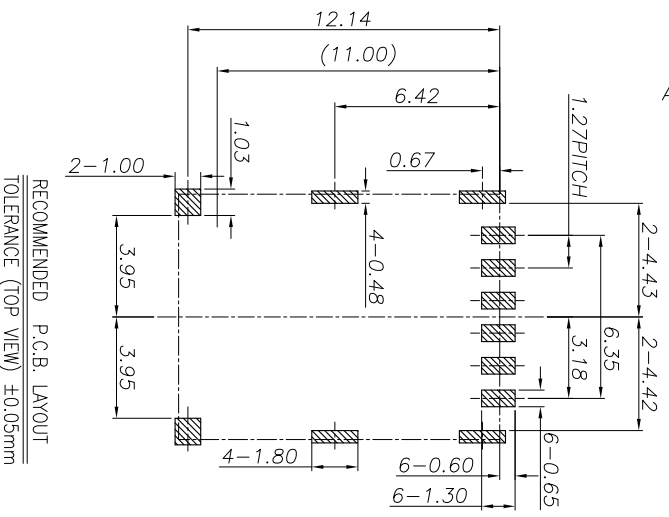
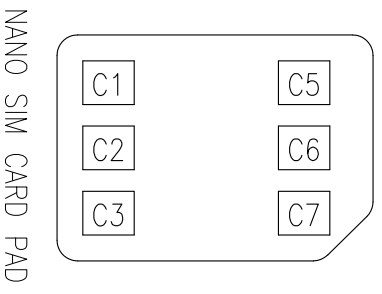
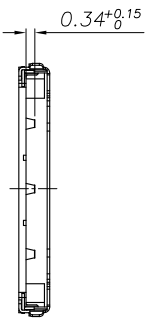
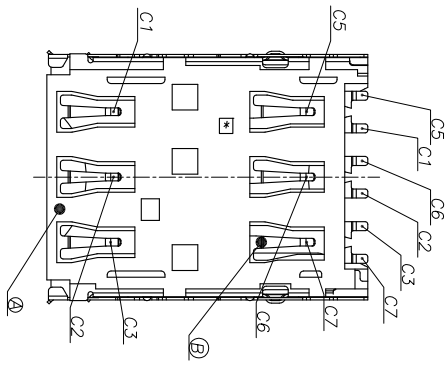
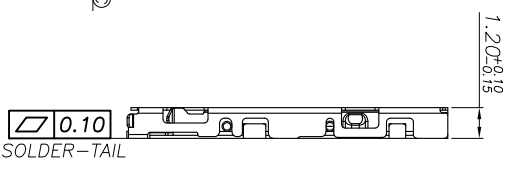
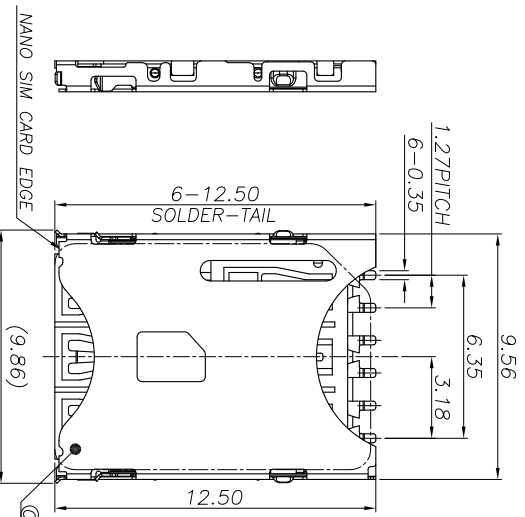


REV	EGN NO	OR DESCRIPTION	REVISED	DATE
A		PRODUCT RELEASE	Longjiang	2014.12.15

- SPECIFICATIONS:
- ELECTRICAL CHARACTERISTICS:
 - CURRENT RATING: 1A
 - DIELECTRIC WITHSTANDING VOLTAGE: 500V R.M.S MIN;
 - INSULATION RESISTANCE: 500MΩ MIN.
 - CONTACT RESISTANCE: 100mΩ MAX.(INITIAL)
 - LIFE TEST: 1500 CYCLES.
 - OTHER GENERAL SPEC. TO REFER "2SM2021-000111F SPEC".
 - TO CONFORM TO SINGATRON HAZARDOUS SUBSTANCE FREE SPEC.
 - HALOGEN FREE PRODUCT IDENTIFICATION MARK ON PRODUCT: ©
 - HALOGEN FREE PRODUCT IDENTIFICATION LABEL ON PACKAGING: ©
 - FOR REFLOW SOLDERING LEAD-FREE PROCESS.
 - PACKAGING: TAPE & REEL.



RECOMMENDED P.C.B. LAYOUT
TOLERANCE (TOP VIEW) ±0.05mm

NO	DESCRIPTION	QTY	MATERIAL	PLATING & COLOR
C	SHELL	1	STAINLESS STEEL 0.10T	NICKEL PLATING OVER ALL
B	CONTACT	1	COPPER ALLOY 0.10T	GOLD FLASH ON CONTACT AREA AND SOLDER AREA 50μ MIN NICKEL UNDER-PLATED
A	HOUSING	1	HIGH TEMP. THERMOPLASTIC UL 94V-0	BLACK

UNLESS OTHERWISE SPECIFIED TOLERANCES

Singatron Enterprise Co., Ltd.
信亨企業股份有限公司

TITLE: NANO SIM CARD READER PUSH&PULL TYPE(H=1.20mm)

DECIMALS: ANGLES: PART NO. 2SM2021-100111F

DWN Longjiang 14/12/14
CHKD ZZ 14/12/14
APVD Wx 14/12/14

SCALE 5:1 UNIT: mm

SIZE: A3 SHEET: 1 OF 1 REV: A

CUSTOMER COPY