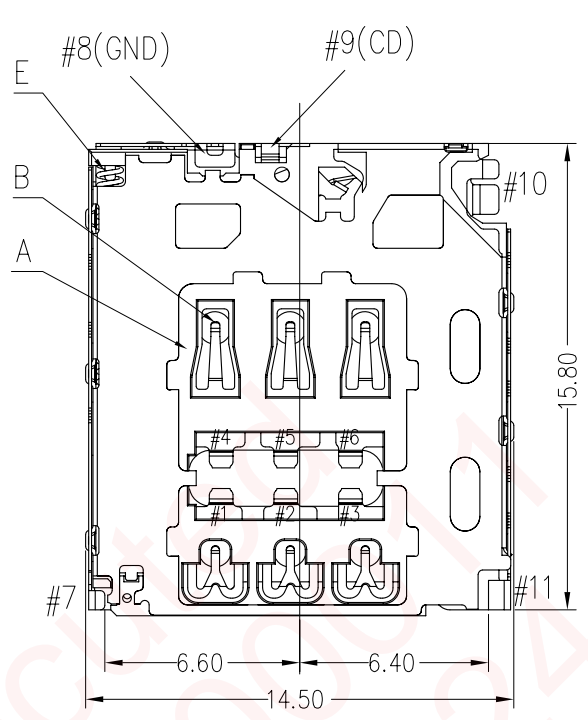
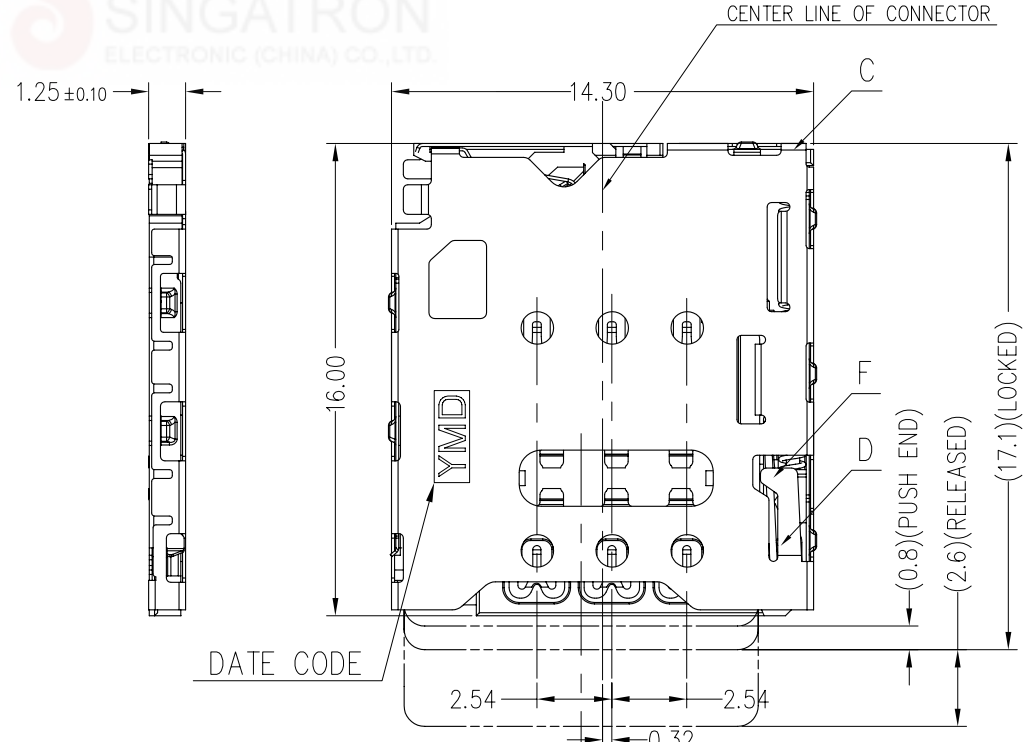
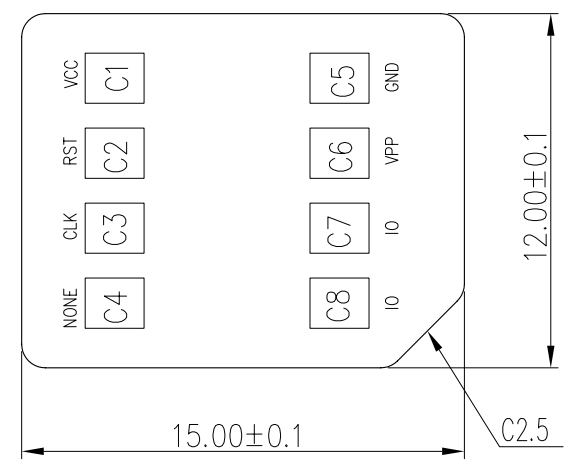
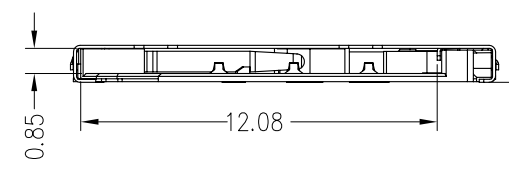
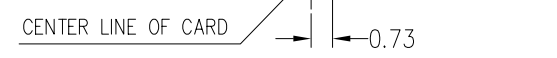




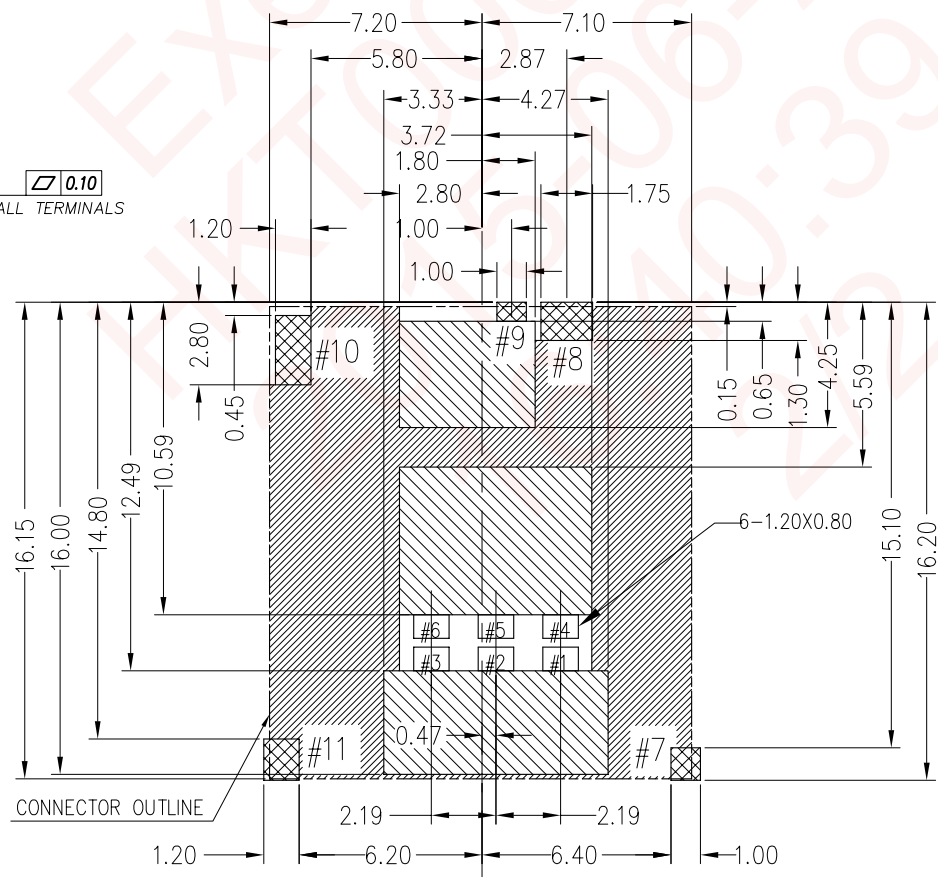
| REV. | ECN NO OR DESCRIPTION | REVISED | DATE |
|------|-----------------------|---------|------------|
| A | PRODUCT RELEASE | REX | 2016.06.08 |



- SPECIFICATIONS:**
- ELECTRICAL CHARACTERISTICS:**
 - CURRENT RATING: 12V/1A
 - DIELECTRIC WITHSTANDING VOLTAGE: 500V R.M.S MIN;
 - INSULATION RESISTANCE: 500MΩ MIN.
 - CONTACT RESISTANCE: 30mΩ MAX.(INITIAL)
 - LIFE TEST: 1500 CYCLES .
 - OTHER GENERAL SPEC. TO REFER "2SM2022-000111F SPEC".
 - TO CONFORM TO SINGATRON HAZARDOUS SUBSTANCE FREE SPEC.
 - HALOGEN FREE PRODUCT IDENTIFICATION MARK ON PRODUCT:
 - HALOGEN FREE PRODUCT IDENTIFICATION LABEL ON PACKAGING:
 - FOR REFLOW SOLDERING LEAD-FREE PROCESS.
 - PACKAGING: TAPE & REEL.



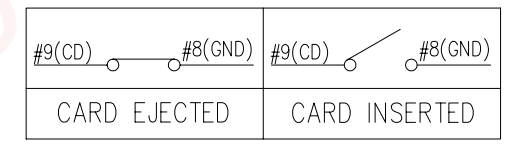
Micro SIM card
Thickness: 0.76±0.08



RECOMMENDED P.C.B. LAYOUT
TOLERANCE (TOP VIEW) ±0.05mm

- SOLDER PAD
- NO PATTERN AND VIA HOLE IN ALLOW AREA
- ONLY GND PATTERN AND GND VIA HOLE AREA

SIM CARD DETECT



SIM CARD & CONN CONNECTION

| SIM CARD | PIN ASSIGNMENT | CONN |
|----------|----------------|------|
| C1 | VCC | #1 |
| C2 | RST | #2 |
| C3 | CLK | #3 |
| C5 | GND | #4 |
| C6 | VPP | #5 |
| C7 | IO | #6 |

| NO | DESCRIPTION | QTY | MATERIAL | PLATING & COLOR |
|----|-------------|-----|-----------------------------------|--|
| F | LINK | 1 | STAINLESS STEEL Ø0.25 | |
| E | SPRING | 1 | SWP | NICKEL PLATING OVER ALL |
| D | SLIDE | 1 | HIGH TEMP. THERMOPLASTIC UL94 HB | BLACK |
| C | SHELL | 1 | STAINLESS STEEL,0.10T | GOLD FLASH ON SOLDER TAIL, NICKEL PLATING OVER ALL |
| B | CONTACT | 1 | COPPER ALLOY,0.10T | GOLD FLASH ON CONTACT AREA AND SOLDER AREA 40u"MIN NICKEL UNDER-PLATED |
| A | HOUSING | 1 | HIGH TEMP. THERMOPLASTIC UL 94V-0 | BLACK |

UNLESS OTHERWISE SPECIFIED TOLERANCES

Singatron Enterprise Co., Ltd.
信音企業股份有限公司

| | | | | | |
|---------------|-----------|-------|------------------------------------|--------------------------|---------------|
| DECIMALS: | ANGLES: | TITLE | MICRO-SIM CARD CONNECTOR(H=1.25mm) | | |
| X : ±0.5 | X : ±2° | DWN | Xinrong-lan 15/6/18 | PART NO. 2SM2022-000111F | |
| X.X : ±0.3 | X.X : ±1° | CHKD | Zhijun-Wei 15/6/18 | SCALE 5:1 | UNIT: mm |
| X.XX : ±0.2 | | APVD | Zjz-Zhou 15/6/18 | SIZE: A3 | SHEET: 1 OF 1 |
| CUSTOMER COPY | | | | | |