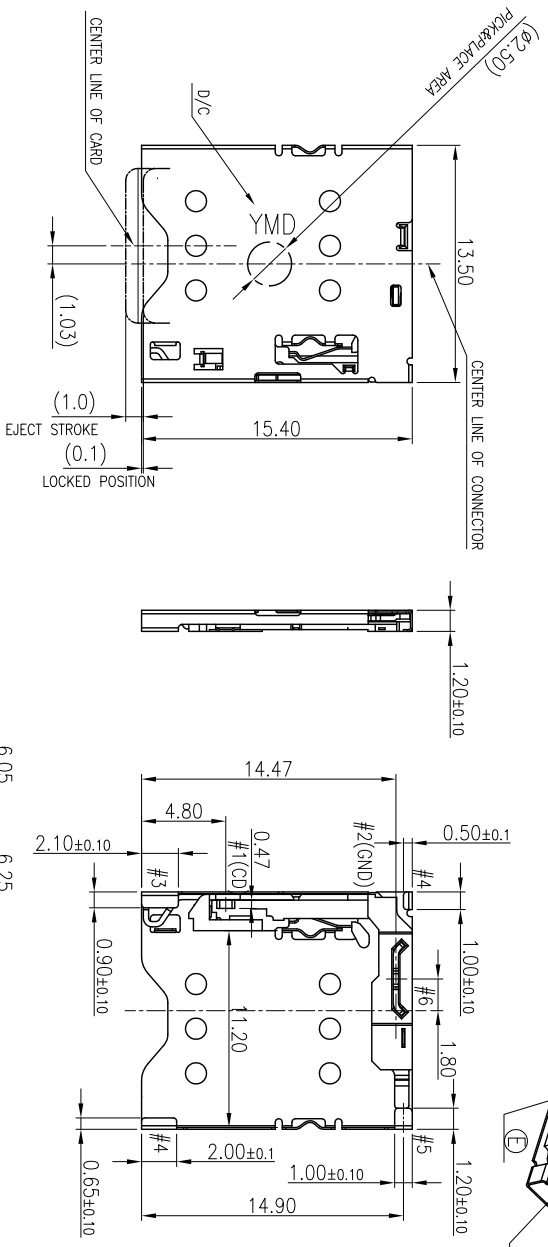
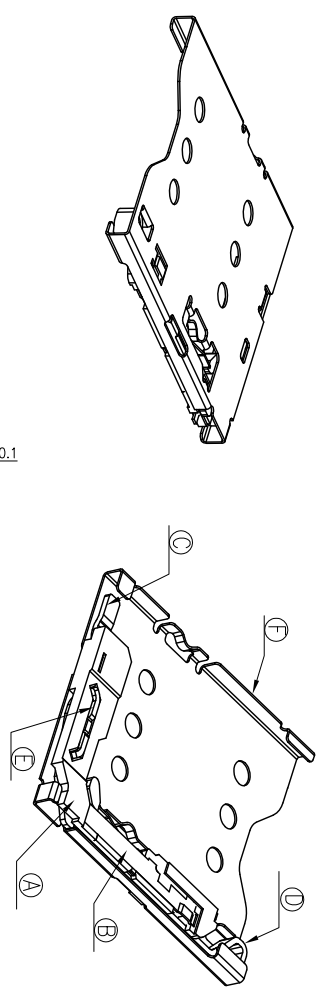
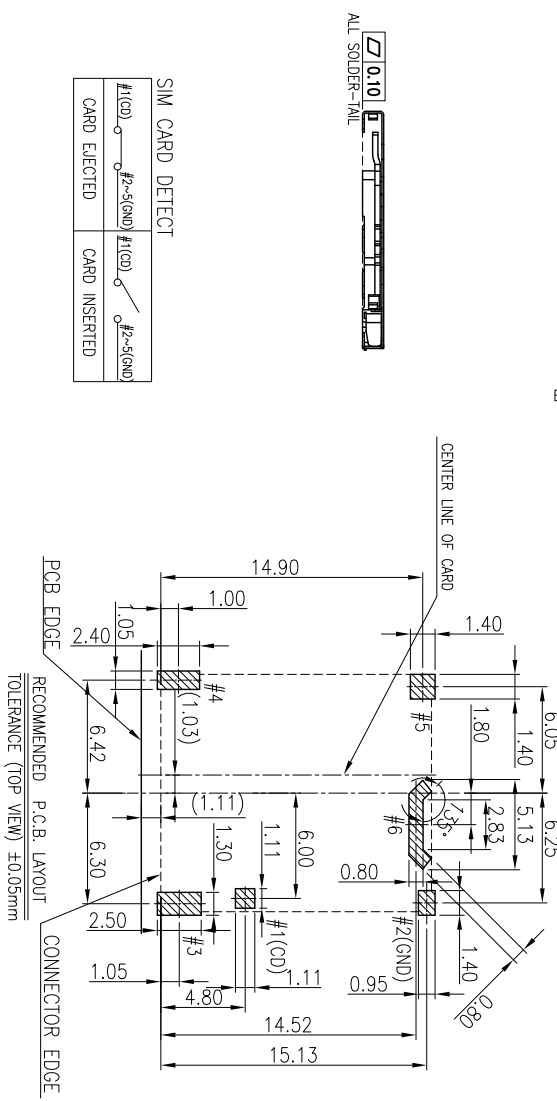


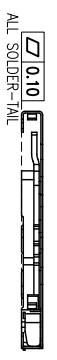
REV.	ECN NO OR DESCRIPTION	REVISED	DATE
A	PRODUCT RELEASE	REX	2015.06.01



- SPECIFICATIONS:
- ELECTRICAL CHARACTERISTICS:
    - 1-1. CURRENT RATING: 12V / 1A.
    - 1-2. DIELECTRIC WITHSTANDING VOLTAGE: 500V R.M.S. MIN.
    - 1-3. INSULATION RESISTANCE: 500MΩ MIN.
    - 1-4. CONTACT RESISTANCE: 100mΩ MAX. (INITIAL)
  - LIFE TEST: 1500 CYCLES.
  - OTHER GENERAL SPEC. TO REFER "2SM2025 SERIES SPEC".
  - TO CONFORM TO SINGATRON HAZARDOUS SUBSTANCE FREE SPEC.
  - HALOGEN FREE PRODUCT IDENTIFICATION MARK ON PRODUCT: ©
  - HALOGEN FREE PRODUCT IDENTIFICATION LABEL ON PACKAGING: ©
  - FOR REFLOW SOLDERING LEAD-FREE PROCESS.
  - PACKAGING: TAPE & REEL.



SIM CARD DETECT	
#1(CD)	#2-5(GND)
CARD EJECTED	CARD INSERTED



NO	DESCRIPTION	QTY	MATERIAL	PLATING & COLOR
F	SHELL	1	STAINLESS STEEL.0.10T	GOLD FLASH ON CONTACT AREA AND SOLDER FREE ALL OVER NICKEL PLATED.
E	TAB	1	STAINLESS STEEL.0.30T	Matt Sn PLATING
D	LEVER	1	STAINLESS STEEL.0.30T	N/A
C	CAM	1	STAINLESS STEEL.0.30T	N/A
B	CONTACT	1	COPPER ALLOY.0.10T	GOLD FLASH
A	HOUSING	1	HIGH TEMP. THERMOPLASTIC UL 94V-0	BLACK

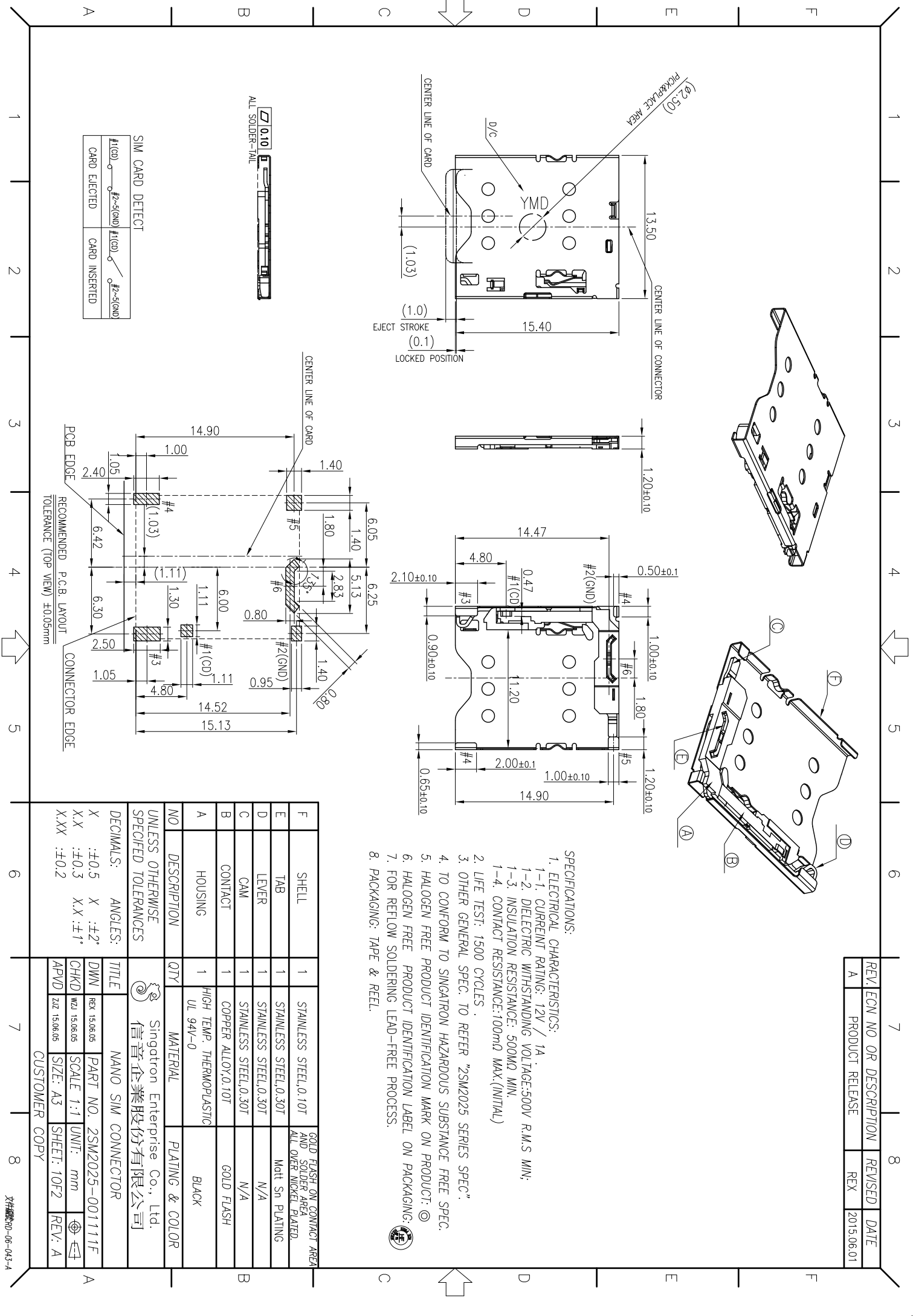
UNLESS OTHERWISE SPECIFIED TOLERANCES	
DECIMALS:	ANGLES:
X : ±0.5	X : ±2°
X.X : ±0.3	X.X : ±1°
X.XX : ±0.2	

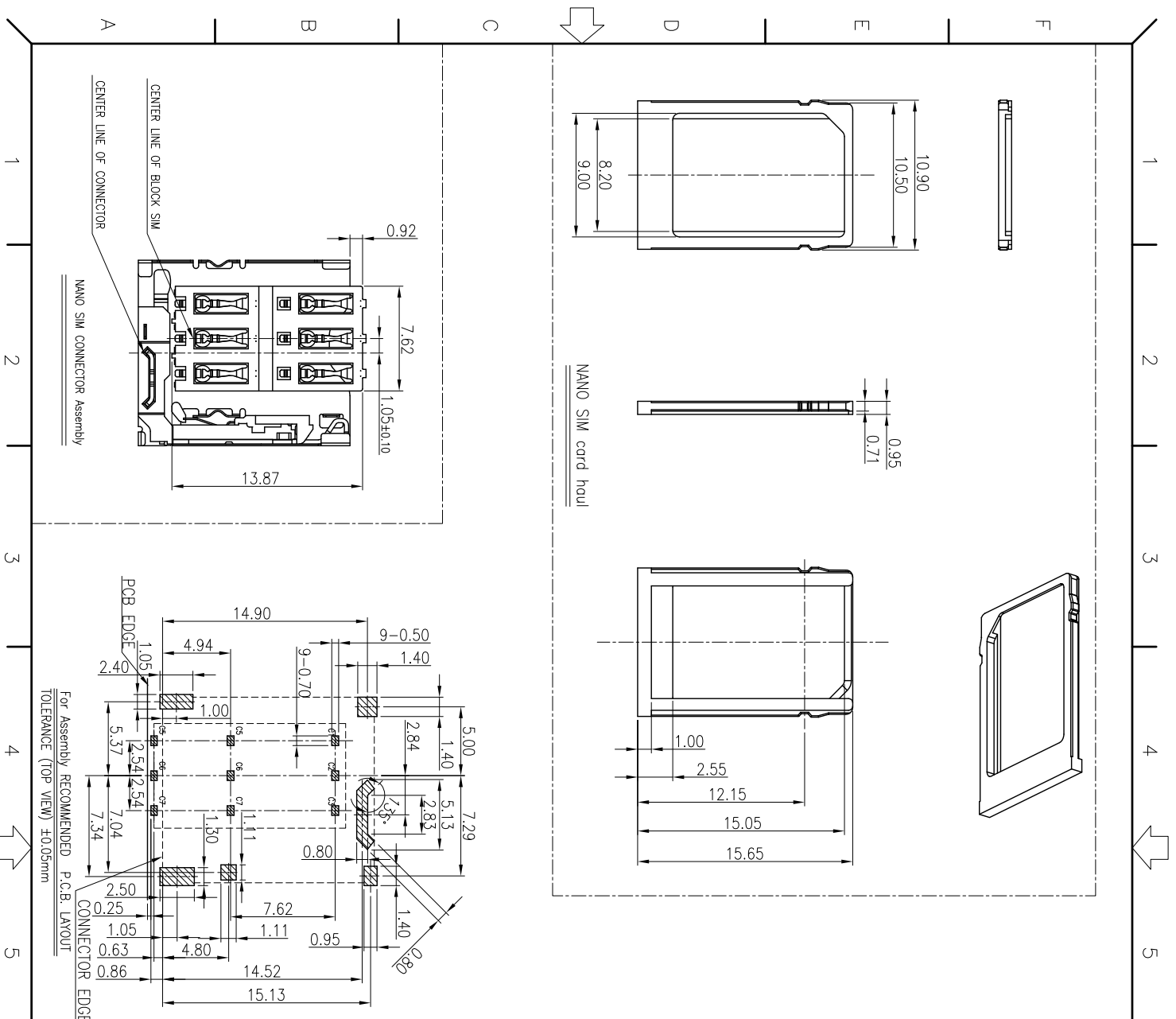
  

TITLE		NANO SIM CONNECTOR	
DWN	REV. 15.06.05	PART NO.	2SM2025-001111F
CHKD	WZJ 15.06.05	SCALE	1:1
APVD	ZJZ 15.06.05	UNIT:	mm
		SHEET:	10F2
		REV:	A

Singatron Enterprise Co., Ltd.  
信登企業股份有限公司

CUSTOMER COPY





REV.	ECN NO. OR DESCRIPTION	REVISED	DATE
A	PRODUCT RELEASE	REX	2015.06.01

NO	DESCRIPTION	QTY	MATERIAL	PLATING & COLOR
UNLESS OTHERWISE SPECIFIED TOLERANCES				
DECIMALS:	ANGLES:			
X : ±0.5	X : ±2°			
X.X : ±0.3	X.X : ±1°			
X.XX : ±0.2				
NANO SIM CONNECTOR BOM				
<p>NO. 130603</p> <p>REV: 15.06.05</p> <p>WZJ 15.06.05</p> <p>ZZ 15.06.05</p>				
CUSTOMER COPY				

TITLE	PART NO.	UNIT	REV.
NANO SIM CONNECTOR	2SM2025-001111F	mm	A

NO.	DESCRIPTION	QTY	MATERIAL	PLATING & COLOR
UNLESS OTHERWISE SPECIFIED TOLERANCES				
DECIMALS:	ANGLES:			
X : ±0.5	X : ±2°			
X.X : ±0.3	X.X : ±1°			
X.XX : ±0.2				
NANO SIM CONNECTOR BOM				
<p>NO. 130603</p> <p>REV: 15.06.05</p> <p>WZJ 15.06.05</p> <p>ZZ 15.06.05</p>				
CUSTOMER COPY				