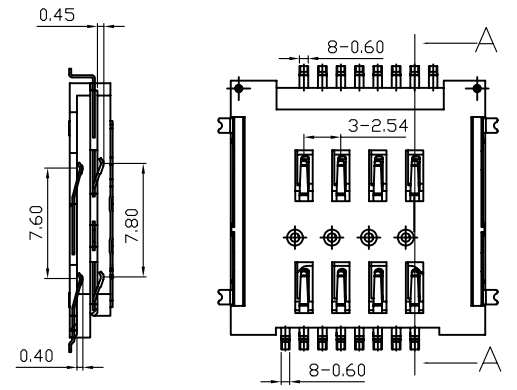
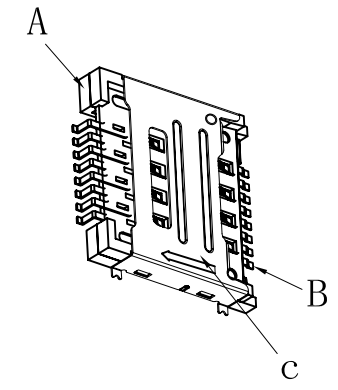
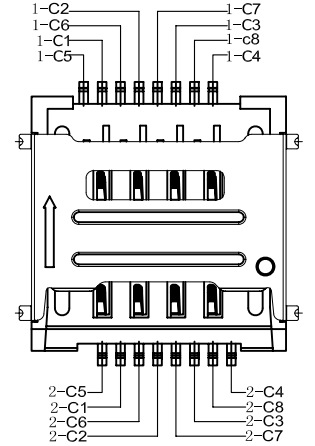
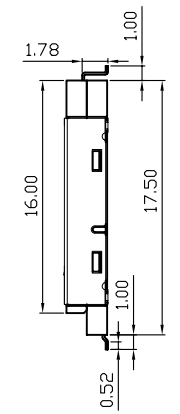
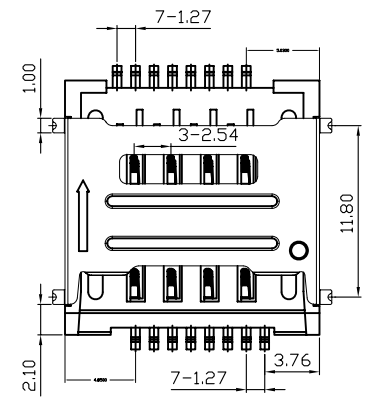
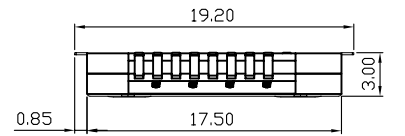


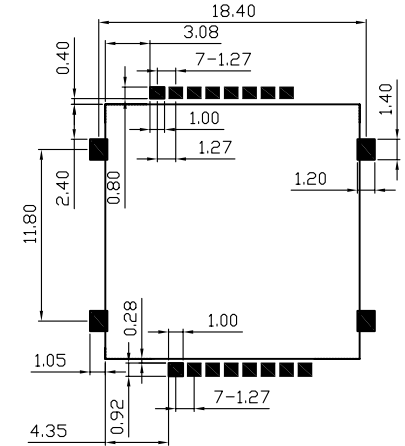
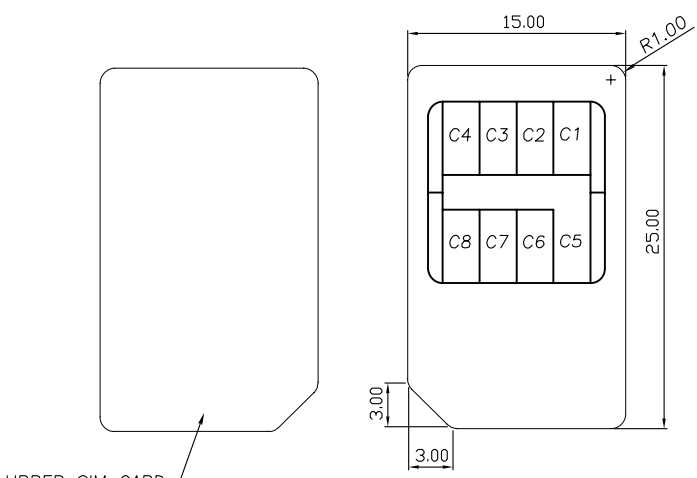
REV.	ECN NO OR DESCRIPTION	REVISED	DATE
A	PRODUCT RELEASE	ZK.CHEN	06/26'09
B	Modify Shell Appearance	Harvey	10/09'09



SECTION A-A

NOTE:

- ELECTRICAL CHARACTERISTICS
 - CONTACT RESISTANCE: 80 milliohms MAX.
 - INSULATION RESISTANCE: 1,000 Megohms MIN.
 - DIELECTRIC WITHSTANDING VOLTAGE: 500V AC MIN FOR 1 MINUTE.
- MECHANICAL CHARACTERISTICS
 - RETENTION FORCE: MIN.100gf/PIN
 - DURABILITY: 1,000 CYCLES
- PRODUCT COMPLIED WITH HSF



RECOMMENDED PC BOARD LAYOUT
TOLERANCE: ±0.05[TOP VIEW]

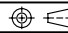
UPPER SIM CARD

SIM CARD

NO	DESCRIPTION	QTY	MATERIAL	PLATING & COLOR
C	SHELL	1	SUS	Au PLATING ON SOLDER TAIL
B	CONTACT	16	COPPER ALLOY	Au PLATING
A	HOUSING	1	HI-TEMP THERMOPLASTIC, UL94V-0	BLACK

UNLESS OTHERWISE SPECIFIED TOLERANCES

 Singatron Enterprise Co., Ltd.
 信音企業股份有限公司

DECIMALS:	ANGLES:	TITLE	2IN1 SIM CARD CONNECTOR		
X : ±0.5	X : ±2°	DWN Harvey	PART NO. 2SM2504-000111		
X.X : ±0.3	X.X : ±1°	CHKD Robin	SCALE 1:1	UNIT: mm	
X.XX : ±0.2		APVD Sean	SIZE: A3	SHEET: 10F1	REV: B
CUSTOMER COPY					