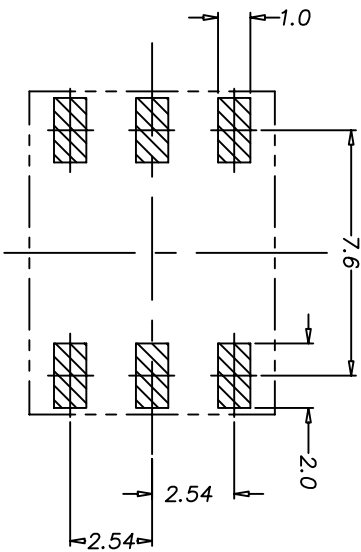
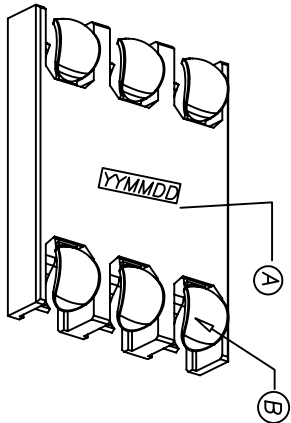
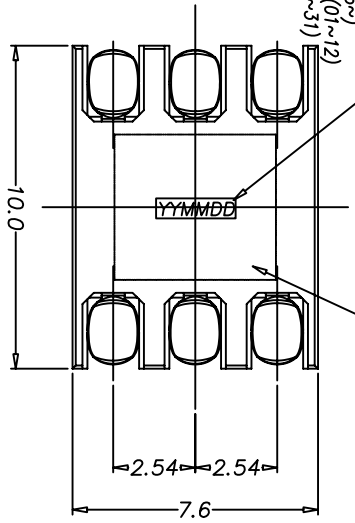
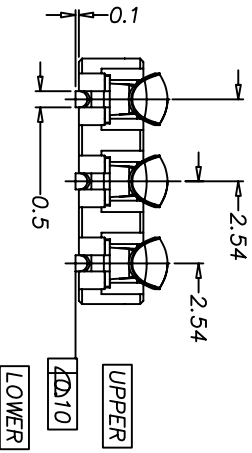
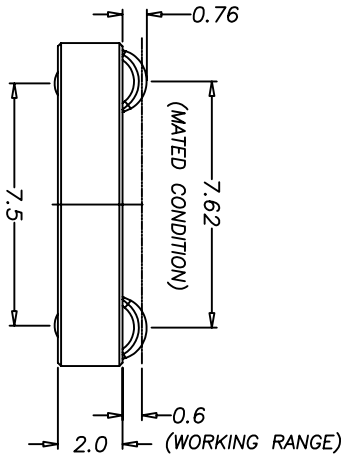


DATE CODE
 YYMMDD
 YY:YEAR(06~)
 MM:MONTH(01~12)
 DD:DAY(01~31)
 AVAILABLE PICK AND PLACE AREA



RECOMMENDED PADS LAYOUT
 <TOP VIEW>
 NOTE : TOLERANCE FOR PCB LAYOUT IS ± 0.05

- SPECIFICATIONS:
1. SEE 2SM3002 SERIES SPEC
 2. TO CONFORM TO THE "SE-01-001" & "ROHS DIRECTIVE"
 3. GREEN PRODUCT IDENTIFICATION LABEL IN PACKING: **G.P. PASS**
 4. SOLDER HEAT RESISTANCE : 260C. 10 SECS.



PART NO.
 2SM3002-004111

PACKAGE
 1: TAPE & REEL

HOUSING COLOR
 1: BLACK

CONTACT PLATING
 1: GOLD

| REV. | ECN NO OR DESCRIPTION | REVISED | DATE |
|------|------------------------------|---------|-----------|
| A | PDR RELEASE ADD DATE CODE | LULU | 2007.4.30 |

| B | CONTACT | 6 | COPPER ALLOY | GOLD FLASH |
|---------------------------------------|-----------------|-----------|-------------------------------------|-------------|
| A | HOUSING | 1 | HIGH TEMP THERMOPLASTIC UL 94V-0 | BLACK COLOR |
| UNLESS OTHERWISE SPECIFIED TOLERANCES | | | | |
| DECIMALS: | ANGLES: | | | |
| X : ±0.5 | X : ±2° | | | |
| X.X : ±0.3 | X.X : ±1° | | | |
| X.XX : ±0.2 | | | | |
| TITLE : SIM CONNECTOR | | | | |
| DWN | LULU 2007.4.30 | PART NO. | 2SM3002-004111 | |
| CHKD | EBN 2007.4.30 | SCALE:5/1 | UNIT: | mm |
| APVD | ANKEA 2007.4.30 | SIZE: A3 | SHEET:1 OF 1 | REV: A |

Singatron Enterprise Co., Ltd.
 信晉企業股份有限公司

CUSTOMER COPY