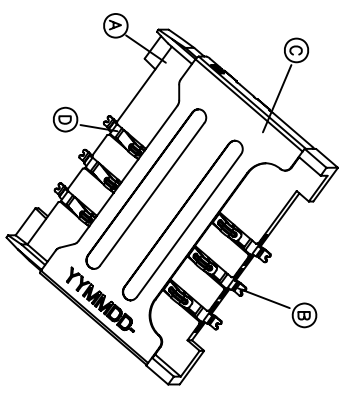
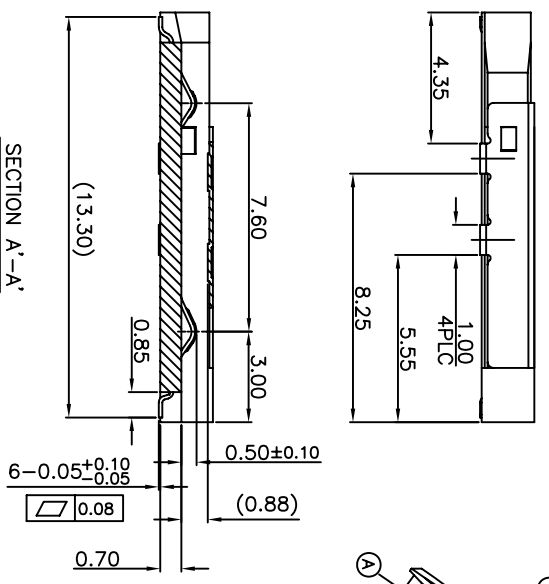
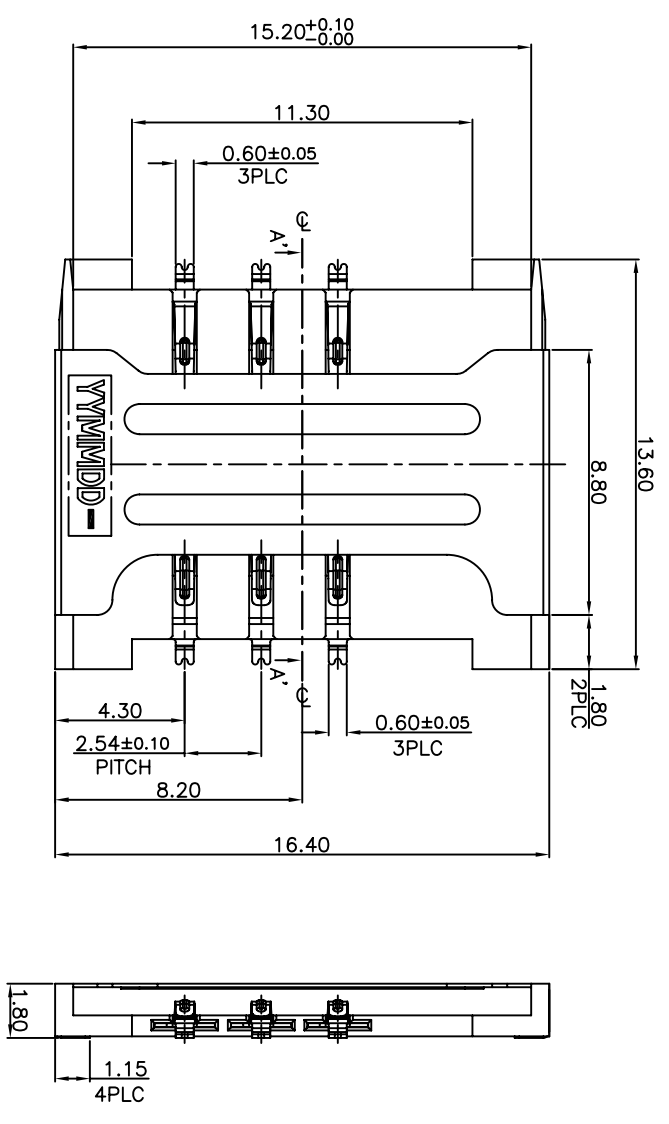


REV.	ECN NO OR DESCRIPTION	REVISED	DATE
A	PDR NO: T090629-5A	BOYE	2009.12.22



- NOTES:
- ELECTRICAL PERFORMANCES:
 - CURRENT RATING: 0.50 A MAX.
 - CONTACT RESISTANCE: 50 mΩ MAX.
 - INSULATION RESISTANCE: 100 MΩ MIN.
 - DIELECTRIC WITHSTANDING VOLTAGE: 250V AC FOR 1 MINUTE.
 - MECHANICAL PERFORMANCES:
 - CONTACT NORMAL FORCE: 0.60N MIN.
 - MECHANICAL OPERATION: 5000 CYCLES.
 - OPERATING TEMPERATURE: -40°C TO 85°C
 - HALOGEN FREE PRODUCT IDENTIFICATION MARK ON PRODUCT.
 - HALOGEN FREE PRODUCT IDENTIFICATION LOGO ON PACKING.
 - FOR LEAD-FREE PRODUCT.
 - SOLDERING HEAT RESISTANCE: 260°C 10 SEC.
 - PRINTED DATE CODE "YYMMDD" ON TOP OF CONNECTOR.

DATE CODE: YYMMDD

DD: DAY
MM: MONTH
YY: YEAR

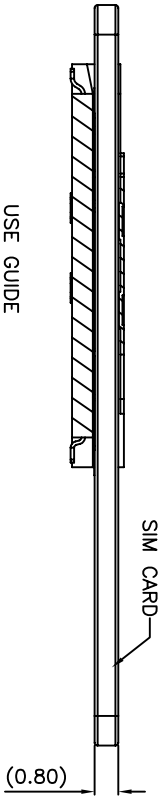
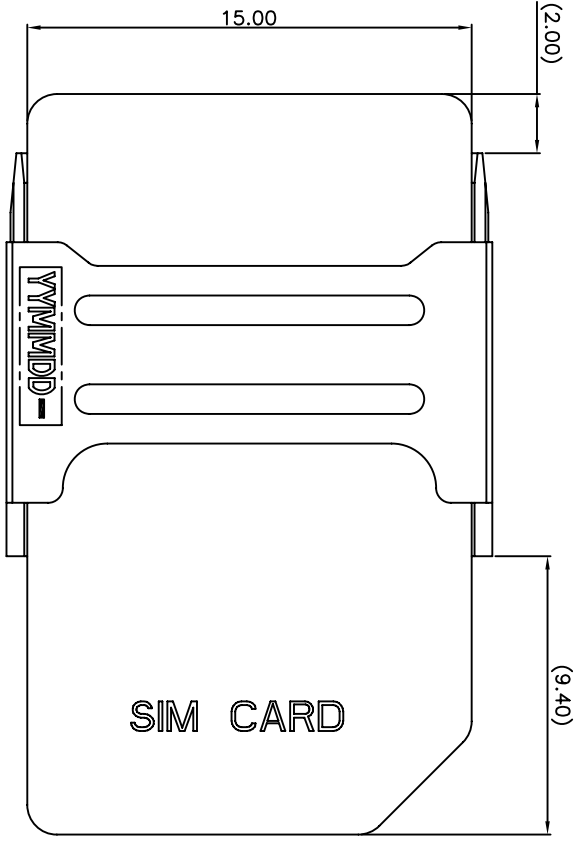
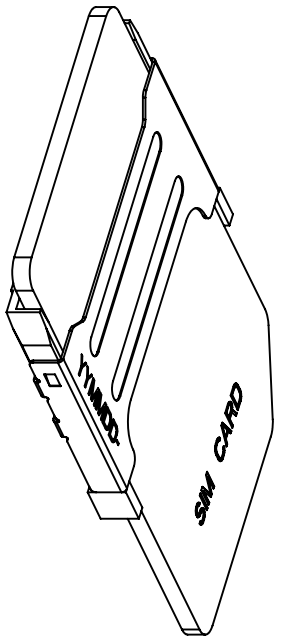
NO	DESCRIPTION	QTY	MATERIAL	PLATING & COLOR
D	CONTACT-2	3	PHOSPHOR BRONZE,T=0.12	Au 1μ" Min. on Contact Area. Gold flash on other area. Over Nickel 50μ" Min. plating.
C	COVER	1	STAINLESS STEEL,T=0.12	Gold flash Over Ni 50μ"
B	CONTACT	3	PHOSPHOR BRONZE,T=0.12	Au 1μ" Min. on Contact Area. Gold flash on other area. Over Nickel 50μ" Min. plating.
A	BODY	1	HIGH TEMP. THERMOPLASTIC,U194V-0	BLACK

UNLESS OTHERWISE SPECIFIED TOLERANCES

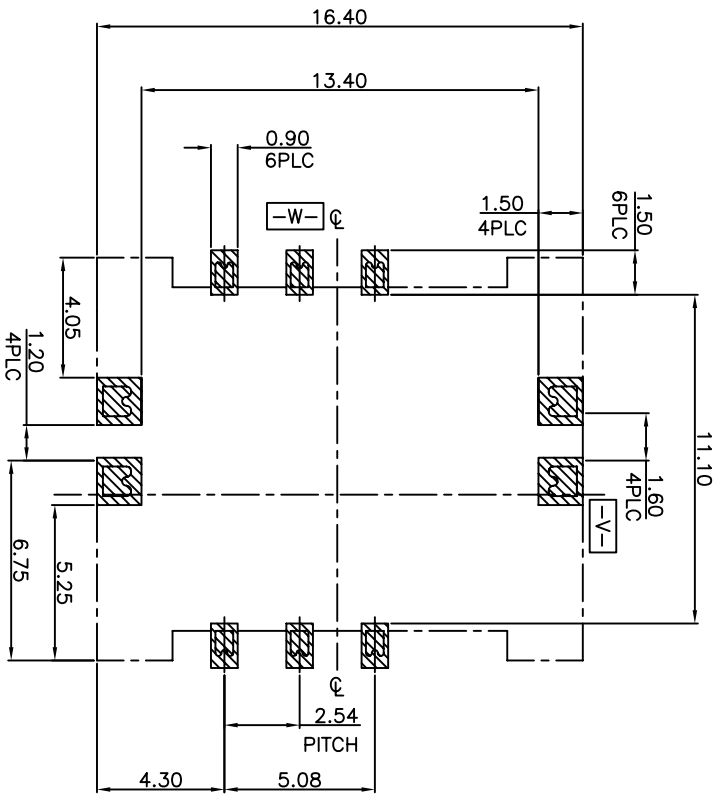
DECIMALS:	ANGLES:	TITLE	SIM CARD CONN.	
X : ±0.5	X : ±2°	DWN	DATE: 2009.12.22	PART NO. 25M3003-004111
X.X : ±0.3	X.X : ±1°	CHKD	SCALE: 4:1	UNIT: mm
X.XX : ±0.2		APVD	SIZE: A3	SHEET: 1 OF 2 REV: A

Singtron Enterprise Co., Ltd.
信音企業股份有限公司

CUSTOMER COPY



USE GUIDE



RECOMMENDED P.C.B LAYOUT(TOP VIEW)
TOLERANCE ±0.05mm

REV.	ECN NO OR DESCRIPTION	REVISED	DATE
A	PDR NO: T090629-5A	BOYE	2009.12.04

NO	DESCRIPTION	QTY	MATERIAL	PLATING & COLOR
	UNLESS OTHERWISE SPECIFIED TOLERANCES			
	DECIMALS:			
X	:±0.5	X	:±2°	
X.X	:±0.3	X.X	:±1°	
X.XX	:±0.2			
	TITLE		SIM CARD CONN.	
DWN	REV: 2009.12.22		PART NO. 2SM3003-004111	
CHKD	QW		SCALE: 4:1 UNIT: mm	
APVD	W		SIZE: A3 SHEET: 2 OF 2 REV: A	

Singatron Enterprise Co., Ltd.
信登企業股份有限公司

CUSTOMER COPY