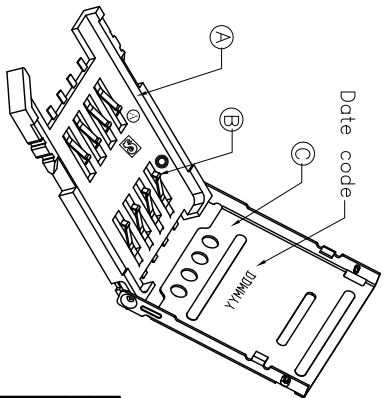
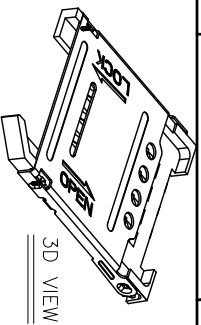


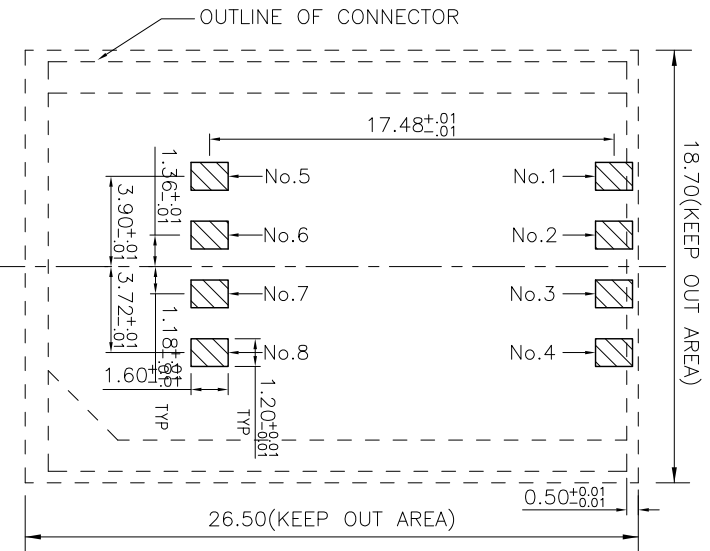
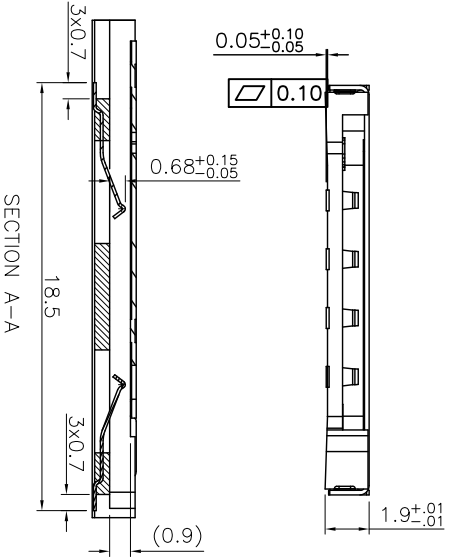
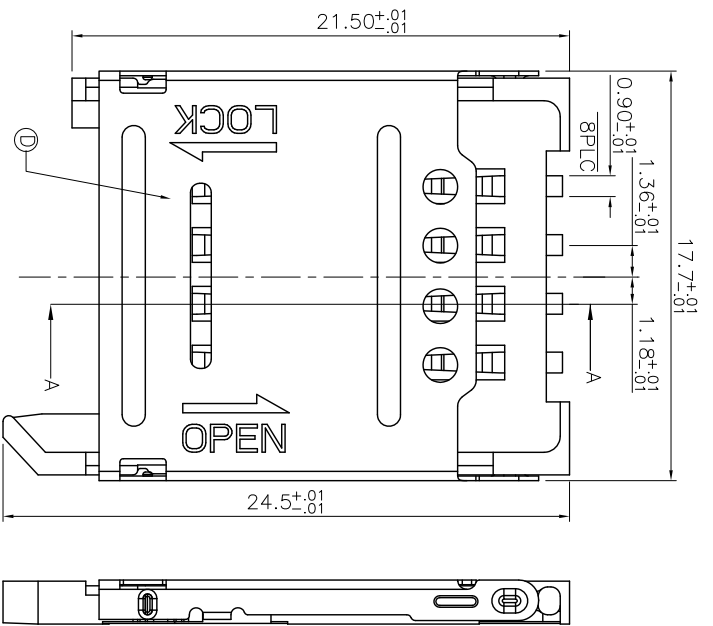
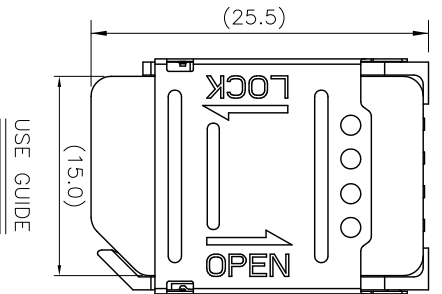
REV.	ECN NO OR DESCRIPTION	REVISED	DATE
A	PDR NO.T090722-1A	Bobbie	2009.11.05
B	ECN NO.S100115&311&341	Allen	2010.06.03
C	ECN NO.S120856	Jerry-M	2012.08.21



PIN NO.	NAME
#01	VCC
#02	RST
#03	CLK
#04	USB+
#05	GND
#06	PROG
#07	DATA
#08	USB-

NOTE

- 1.CONTACT CURRENT RATING 1.0A AT 250V AC
 - 2.CONTACT RESISTANCE 30m Ω Max.
 - 3.INSULATION RESISTANCE 1000MΩ Min.
 - 4.DIELECTRIC WITHSTANDING VOLTAGE 500V AC FOR 1 MINUTE
 - 5.DURABILITY:5000 CYCLES
 6. TO CONFORM TO SINGATRON HAZARDOUS SUBSTANCE FREE SPEC
 - 7.HALOGEN FREE PRODUCT IDENTIFICATION MARK ON PRODUCT.
 - 8.HALOGEN FREE PRODUCT IDENTIFICATION LOGO ON PACKING.
 - 9.IR REFLOW: SOLDER HEAT RESISTANCE:260° 10 SECS.
- AFTER IR BODY WARPAGE 0.10mm Max.
 10.FOR LEAD-FREE PRODUCT.
 11.PACKAGING: TAPE & REEL
 12.PRINTED DATE CODE 'YYMMDD' ON TOP OF CONNECTOR.



RECOMMEND PCB LAYOUT (TOP VIEW)
(TOLERANCE: ±0.05mm)

C	SHELL	1	SUS304-1/4H(BA)0.2T	100% Au on contact area, gold flash on other area, all over nickel plating.
B	CONTACT SPRING	8	COPPER ALLOY 0.12T	
A	BODY(insert molding)	1	THERMOPLASTIC UL 94V-0	BLACK
NO	DESCRIPTION	QTY	MATERIAL	PLATING & COLOR



UNLESS OTHERWISE SPECIFIED TOLERANCES

Singatron Enterprise Co., Ltd.
信亨企業股份有限公司

DECIMALS: ANGLES:
 X :±0.50 X :±.2°
 X.X :±0.30 X.X :±.1°
 X.XX :±0.20

TITLE	SIM CARD HINGE TYPE SOCKET
DWN	Jerry-M PART NO. 2SM3004-012111
CHKD	TOM SCALE:4:1 UNIT: mm
APVD	QUAN SIZE: A3 SHEET:1 OF 1 REV:C

CUSTOMER COPY