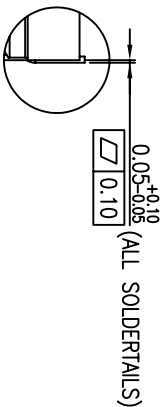


SECTION A-A

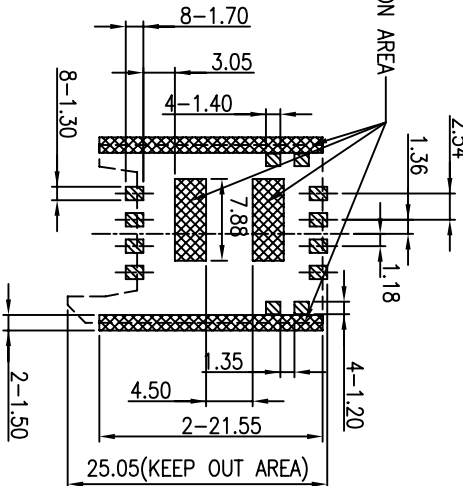
SLIDE SHEEL LOCK

SLIDE SHEEL OPEN



DETAIL B
SCALE 10:1

PATTERN PROHIBITION AREA

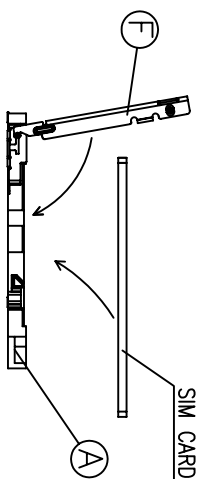


- SPECIFICATIONS:**
- ELECTRICAL CHARACTERISTICS:**
 - 1-1. CONTACT CURRENT RATING: AT 250V AC 1A.
 - 1-2. CONTACT RESISTANCE: 30mΩ MAX.(INITIAL)
 - 1-3. DIELECTRIC WITHSTANDING VOLTAGE: 500V AC FOR ONE MINUTE.
 - 1-4. INSULATION RESISTANCE: 1000MΩ MIN. MEASURED BY 500V DC.
 - IR REFLOW:SOLDER HEAT RESISTANCE:260°C 10SECS.
AFTER IR BODY WARPAGE 0.10mm Max.
 - LIFE TEST: 1,000 CYCLES MIN.
 - OTHER GENERAL SPEC. TO REFER "ZSM3005-002111 SPEC."
 - TO CONFORM TO SINGATRON HAZARDOUS SUBSTANCE FREE SPEC.
 - HALOGEN FREE PRODUCT IDENTIFICATION MARK ON PRODUCT: ©
 - HALOGEN FREE PRODUCT IDENTIFICATION LOGO ON PACKING:
 - FOR REFLOW SOLDERING LEAD-FREE PROCESS.

RECOMMEND P.C.B. LAYOUT(TOP VIEW)

(TOLERANCE ±0.05mm)

REV.	ECN NO.	OR DESCRIPTION	REVISED	DATE
B	ECN No: S080727	Quan-Zhou	2008.08.08	
C	ECN No: T080204	LILI	2008.12.29	



SIM CARD

NO	DESCRIPTION	QTY	MATERIAL	PLATING & COLOR
F	SHELL	1	STAINLESS STEEL,T=0.20	
E	LOCK-R	1	STAINLESS STEEL,T=0.20	100μ Min. White In on all over area.
D	LOCK-L	1	STAINLESS STEEL,T=0.20	30μ Min. Nickel under plated overall.
C	CONTACT-B	4	COPPER ALLOY,T=0.12	Gold flash on all over area.
B	CONTACT-A	4	COPPER ALLOY,T=0.12	Over Nickel plating.
A	BODY(Insert Molding)	1	HI-TEMP. PLASTIC:UL 94V-0	BLACK
NO	DESCRIPTION	QTY	MATERIAL	PLATING & COLOR

UNLESS OTHERWISE SPECIFIED TOLERANCES

DECIMALS: ANGLES:

X :±0.5 X :±2°

X.X :±0.3 X.X :±1°

X.XX :±0.2

Singatron Enterprise Co., Ltd.
信營企業股份有限公司

TITLE SIM CARD HINGE TYPE(SMT WITH GROUNDING)

DWN UL 2008.12.29 PART NO. ZSM3005-002111

CHKD Lesson 2008.12.29 SCALE 2:1 UNIT: mm

APVD Mr. 2008.12.29 SIZE: A3 SHEET: 1 OF 1 REV: C

CUSTOMER COPY