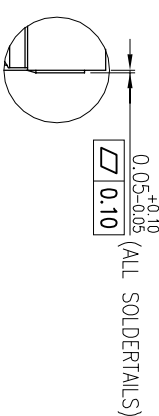
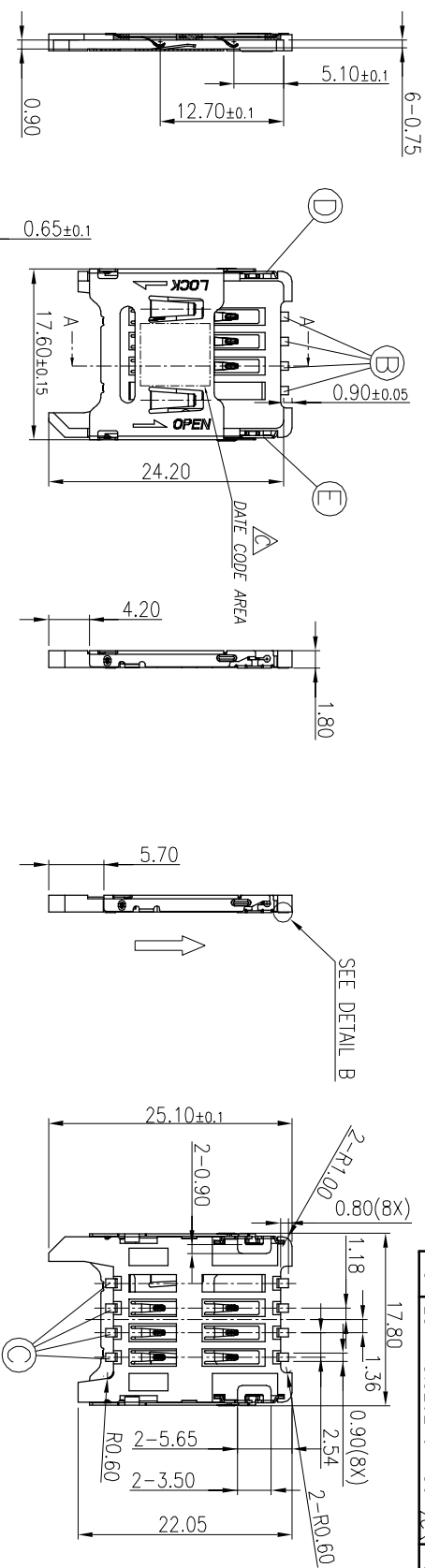
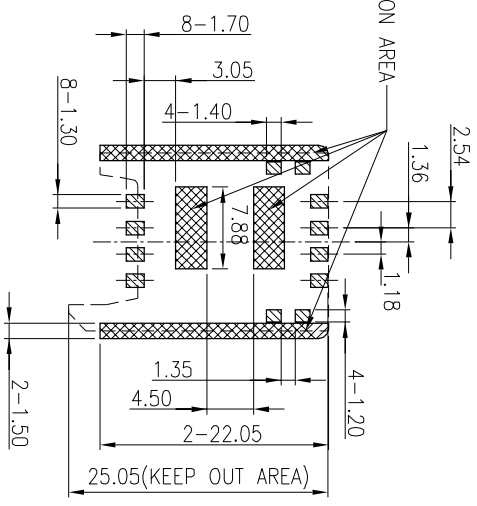


REV	ECN NO	OR DESCRIPTION	REVISED	DATE
A	DCN NO:DA201705023	Peng	2018.3.16	
B	ECN NO:S202006-C34	LAUUN	2020.07.20	
C	ECN NO:S202101-C07	Peng	2021.03.02	



DETAIL B
SCALE 10:1

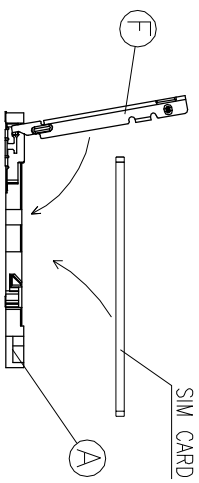
PATTERN PROHIBITION AREA



RECOMMEND P.C.B. LAYOUT(TOP VIEW)
(TOLERANCE ±0.05mm)

SPECIFICATIONS:

1. ELECTRICAL CHARACTERISTICS:
 - 1-1. CONTACT CURRENT RATING: AT 250V AC 1A.
 - 1-2. CONTACT RESISTANCE: 30mΩ MAX.(INITIAL)
 - 1-3. DIELECTRIC WITHSTANDING VOLTAGE: 500V AC FOR ONE MINUTE.
 - 1-4. INSULATION RESISTANCE: 1000MΩ MIN. MEASURED BY 500V DC.
2. IR REFLOW:SOLDER HEAT RESISTANCE:260°C 10SECS.
3. AFTER IR BODY WARPAGE 0.10mm Max.
4. LIFE TEST: 1,000 CYCLES MIN.
5. OTHER GENERAL SPEC. TO REFER "2SM3005-003111F SPEC".
6. TO CONFORM TO SINGATRON HAZARDOUS SUBSTANCE FREE SPEC.
7. HALOGEN FREE PRODUCT IDENTIFICATION MARK ON PRODUCT: ©
8. FOR REFLOW SOLDERING LEAD-FREE PROCESS.
9. PRINTED DATE CODE "MMDD-" ON TOP OF CONNECTOR.



NO	DESCRIPTION	QTY	MATERIAL	PLATING & COLOR
F	SHELL	1	STAINLESS STEEL, T=0.20	
E	LOCK-R	1	STAINLESS STEEL, T=0.20	
D	LOCK-L	1	STAINLESS STEEL, T=0.20	100μ Min. Matte fin on all over area. 50μ Min. Nickel under plated overall.
C	CONTACT-B	4	COPPER ALLOY, T=0.12	Gold flash on all over area.
B	CONTACT-A	4	COPPER ALLOY, T=0.12	Over Nickel plating.
A	BODY(Insert Molding)	1	LCP E6808H/ZUL 94V-0	BLACK

UNLESS OTHERWISE SPECIFIED TOLERANCES

Singatron Enterprise Co., Ltd.
信晉企業股份有限公司

TITLE SIM CARD HINGE TYPE(SMT WITH GROUNDING)

DWN Peng PART NO.2SM3005-003111F

CHKD Bruce SCALE 2:1 UNIT: mm

APVD Lido SIZE: A3 SHEET: 1 OF 1 REV:C

CUSTOMER COPY

A B C D E F

1 2 3 4 5 6 7 8