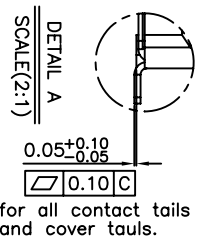
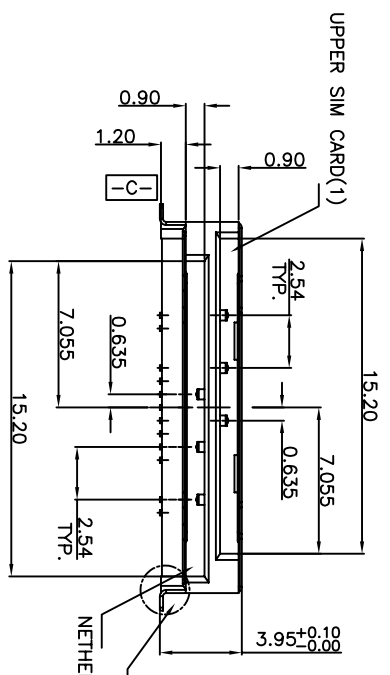
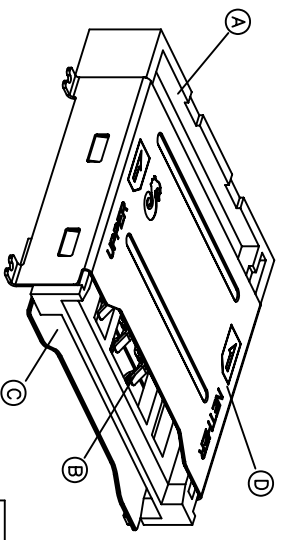
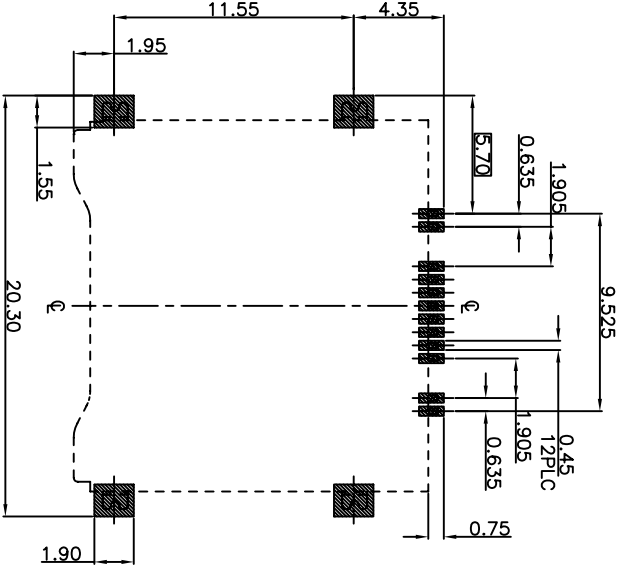
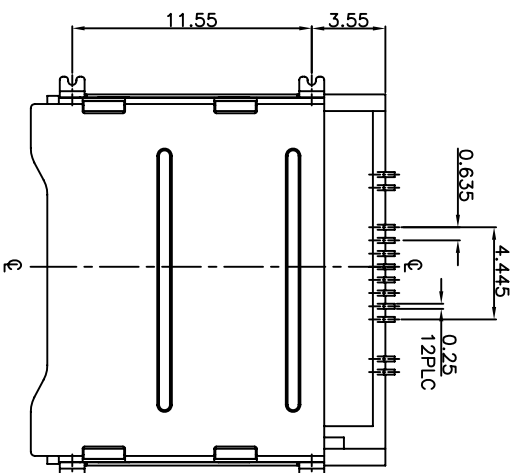
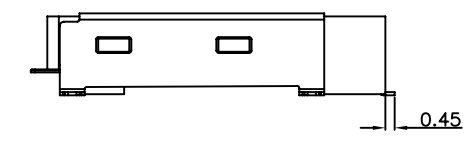
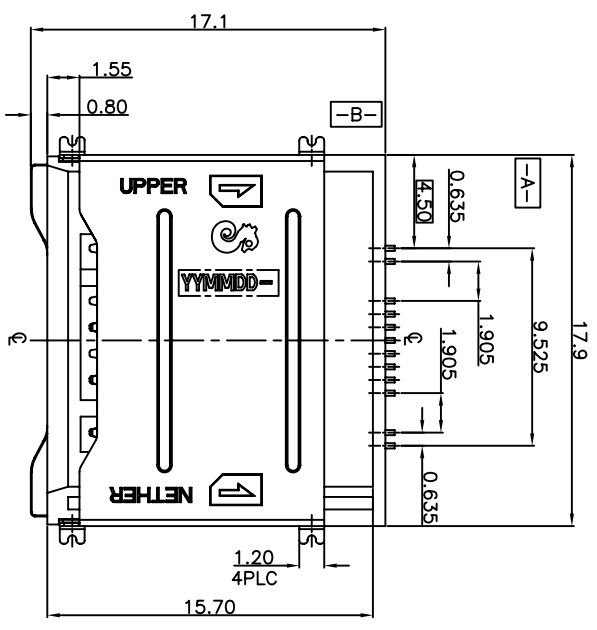


REV.	ECN NO OR DESCRIPTION	REVISED	DATE
A	PDR NO: S081114-4B	BOYE.QI	2009.06.24



for all contact tails and cover tails.

NO	DESCRIPTION	QTY	MATERIAL	PLATING & COLOR
D	UPPER COVER	1	STAINLESS STEEL,T=0.15	Gold flash on Solder tail area. Over Nickel plating.
C	NETHER COVER	1	STAINLESS STEEL,T=0.15	N/A
B	CONTACT	12	PHOSPHOR BRONZE,T=0.15	Au on Contact Area. Gold flash on other area. Over Nickel plating.
A	BODY	1	HIGH TEMP.UIG94V-0	BLACK

UNLESS OTHERWISE SPECIFIED TOLERANCES

DECIMALS: ANGLES:

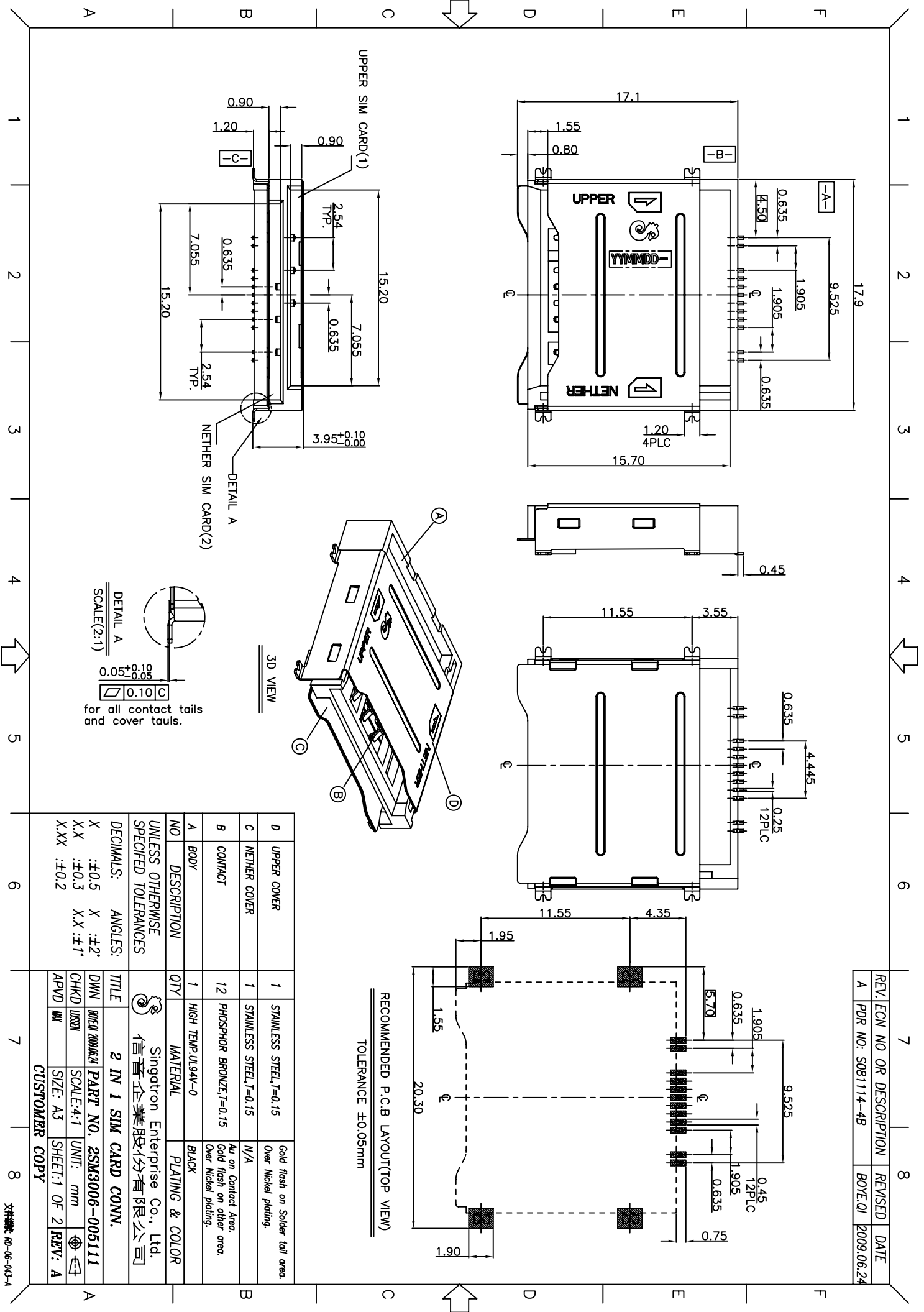
X :±0.5 X :±2
X.X :±0.3 X.X :±1'
X.XX :±0.2

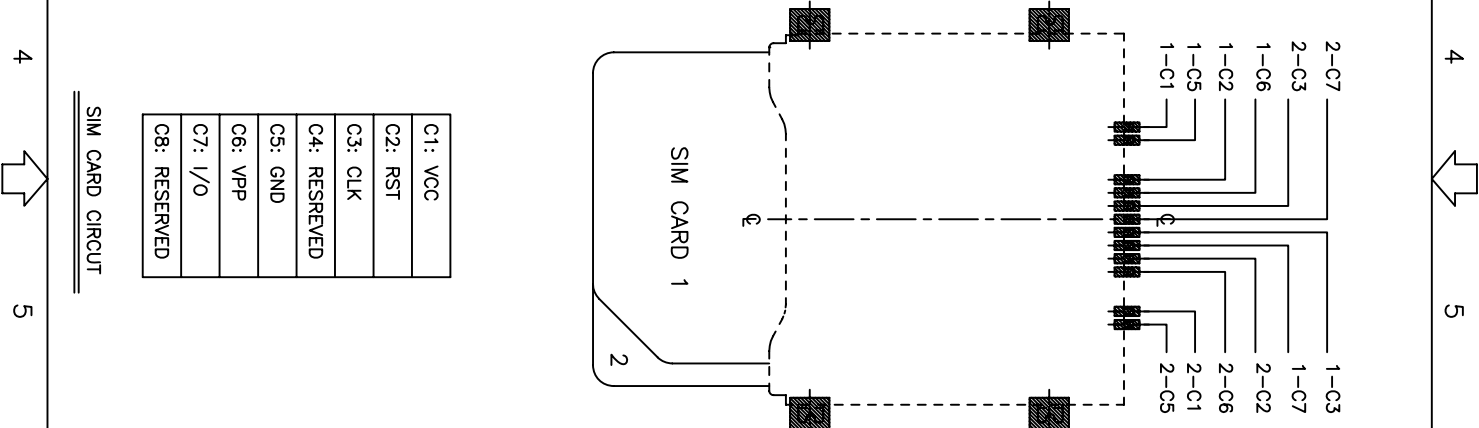
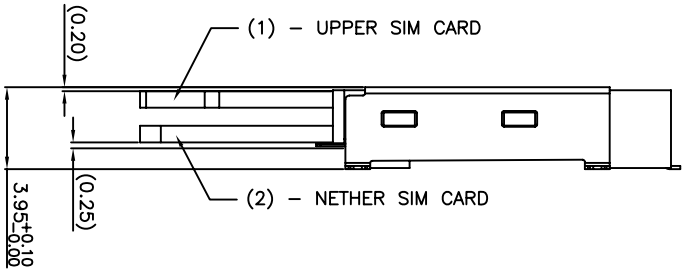
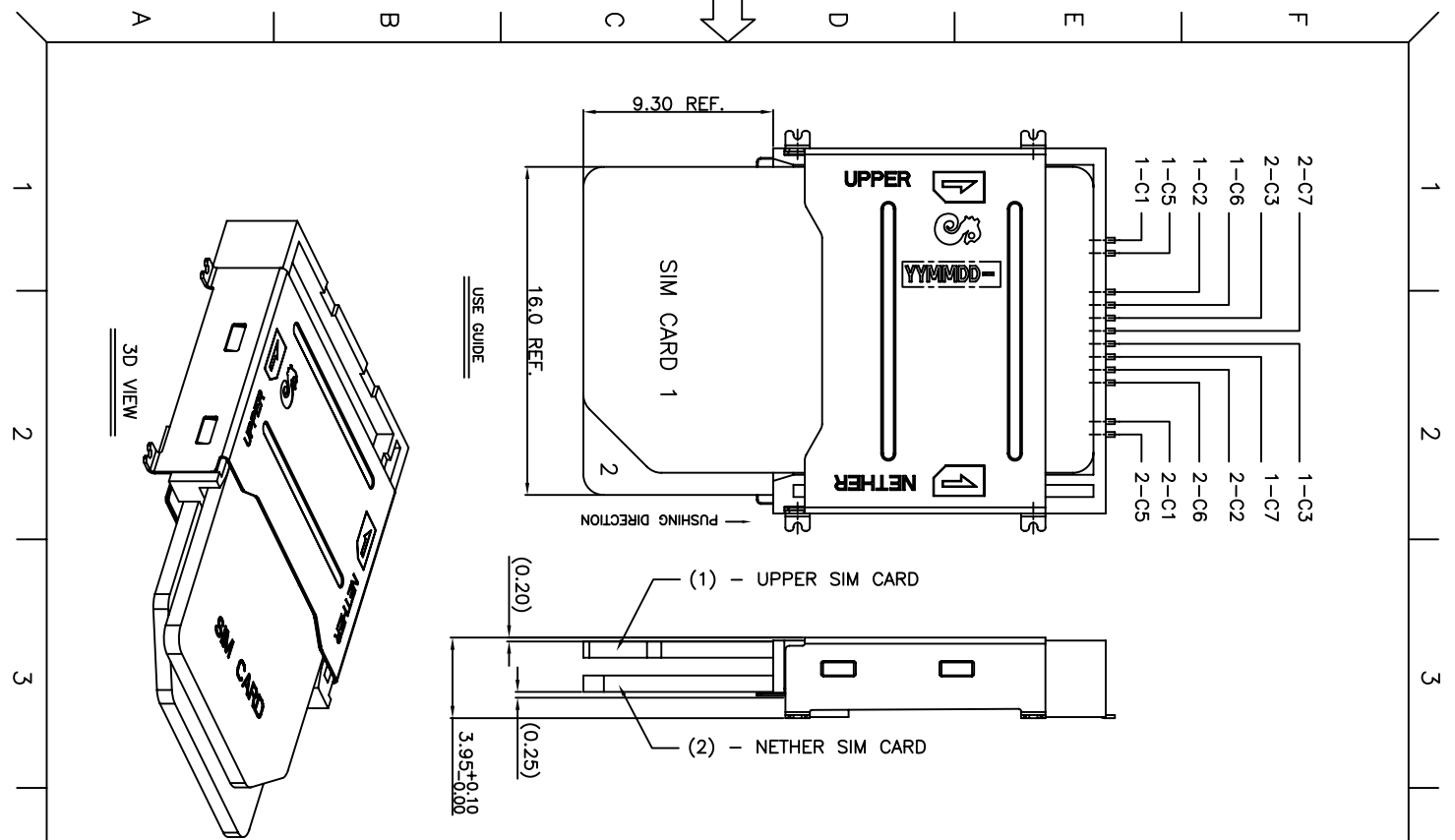
Singatron Enterprise Co., Ltd.
信譽企業股份有限公司

TITLE: 2 IN 1 SIM CARD CONN.

DWN: B064 000024 PART NO. 2SM3006-005111
CHKD: U055Y SCALE:4:1 UNIT: mm
APVD: MW SIZE: A3 SHEET: 1 OF 2 REV: A

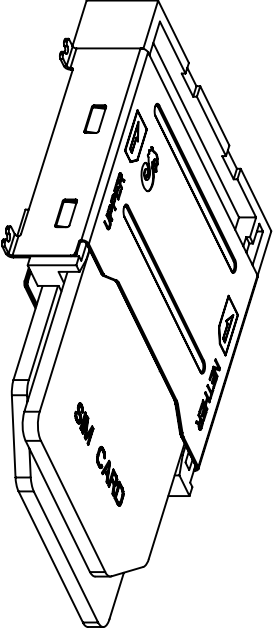
CUSTOMER COPY



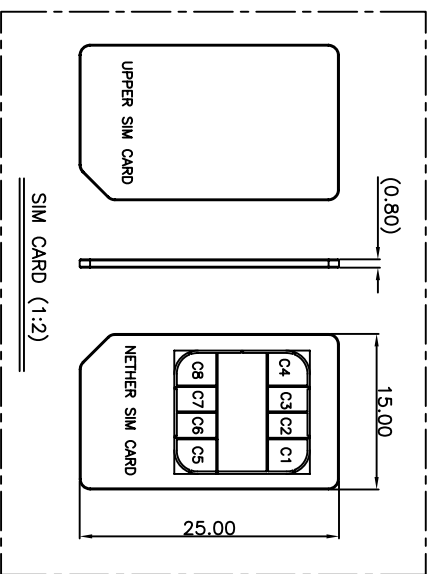


C1: VCC
C2: RST
C3: CLK
C4: RESERVED
C5: GND
C6: VPP
C7: I/O
C8: RESERVED

SIM CARD CIRCUIT



3D VIEW



SIM CARD (1:2)

NOTES:

- ELECTRICAL PERFORMANCES:
 - CURRENT RATING: 0.50 A MAX.
 - CONTACT RESISTANCE: 50 mΩ MAX.
 - INSULATION RESISTANCE: 100 MΩ MIN.
 - DIELECTRIC WITHSTANDING VOLTAGE: 250V AC FOR 1 MINUTE.
- MECHANICAL PERFORMANCES:
 - CONTACT NORMAL FORCE: 0.30N MIN. AT DEFLECTION.
 - MECHANICAL OPERATION: 5000 CYCLES.
 - OPERATING TEMPERATURE: -40°C TO 85°C
 - HALOGEN FREE PRODUCT IDENTIFICATION MARK ON JACK:
 - FOR REFLOW SOLDERING LEAD-FREE PROCESS.
 - SOLDERING HEAT RESISTANCE: 260°C 10 SEC.
 - PRINTED DATE CODE "YYMMDD" ON TOP OF CONNECTOR.

DATE CODE: YYMMDD



NO	DESCRIPTION	QTY	MATERIAL	PLATING & COLOR
UNLESS OTHERWISE SPECIFIED TOLERANCES				
DECIMALS:	ANGLES:			
X : ±0.5	X : ±2°			
X.X : ±0.3	X.X : ±1°			
X.XX : ±0.2				
TITLE	2 IN 1 SIM CARD CONN.			
DRAWN	BMC1200024 PART NO. 2SM3006-005111			
CHKD	LSSB1 SCALE:4:1 UNIT: mm			
APVD	MW SIZE: A3 SHEET: 2 OF 2 REV: A			

Singatron Enterprise Co., Ltd.
信登企業股份有限公司

CUSTOMER COPY

REV.	ECN NO OR DESCRIPTION	REVISED	DATE
A	PDR NO: S081114-4B	BOYE.QI	2009.06.24