

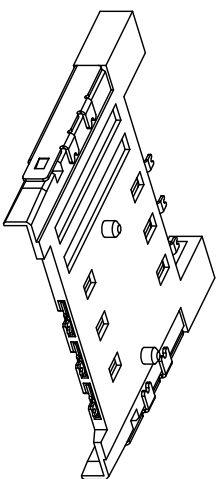
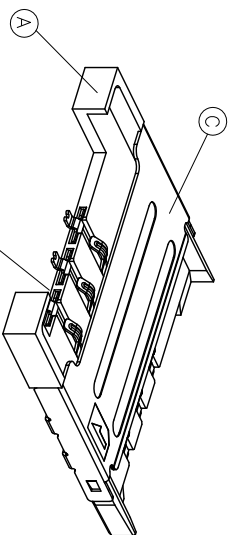
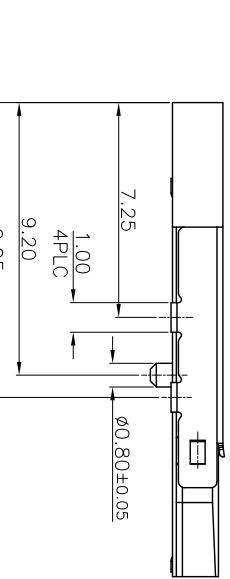
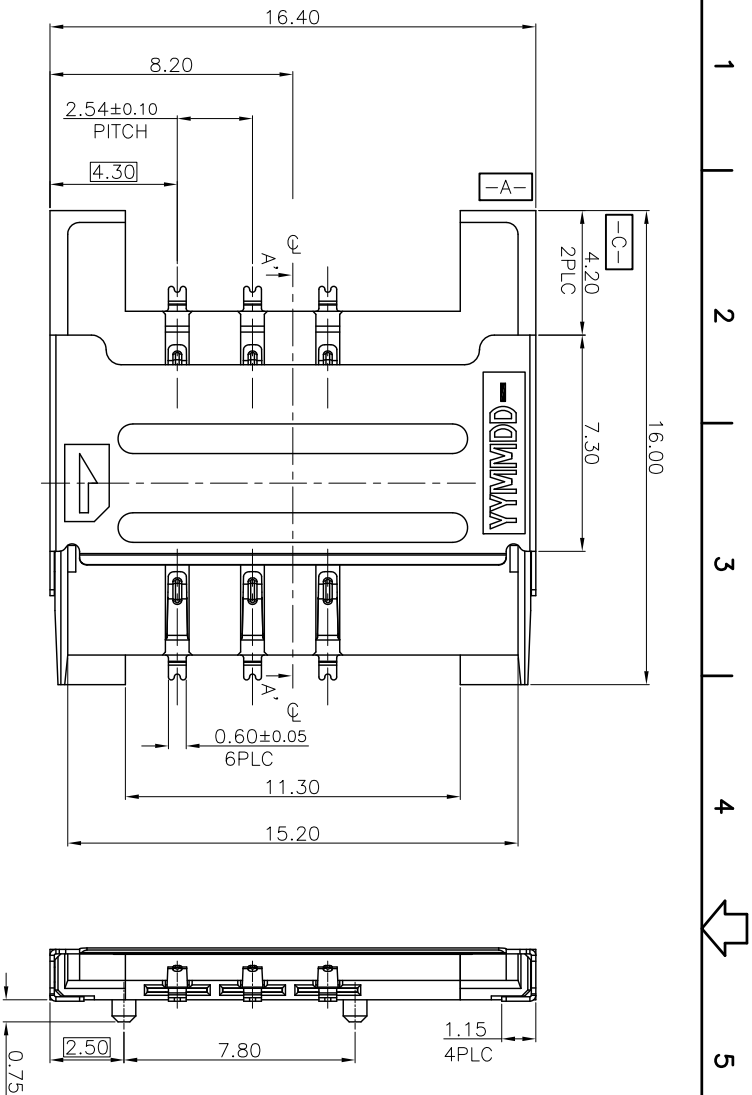
REV.	ECN NO.	OR DESCRIPTION	REVISED	DATE
A	PDR NO: T081017-1A	BOYE.QI	2008.12.05	
B	ECN NO: S090334	BOYE.QI	2009.04.21	
C	ECN NO: S100116	Allen	2010.04.09	

NOTES:

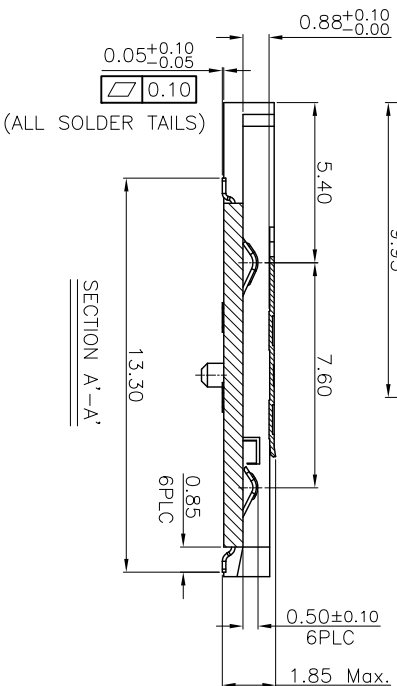
- ELECTRICAL PERFORMANCES:
 - CURRENT RATING: 0.50 A MAX.
 - CONTACT RESISTANCE: 50 mΩ MAX.
 - INSULATION RESISTANCE: 100 MΩ MIN.
 - DIELECTRIC WITHS TANDING VOLTAGE: 250V AC FOR 1 MINUTE.
- MECHANICAL PERFORMANCES:
 - CONTACT NORMAL FORCE: 0.30N MIN. AT DEFLECTION.
 - MECHANICAL OPERATION: 5000 CYCLES.
 - OPERATING TEMPERATURE: -40°C TO 85°C.
 - TO CONFORM TO SINGATRON HAZARDOUS SUBSTANCE FREE SPEC.
 - HALOGEN FREE PRODUCT IDENTIFICATION MARK ON BODY: ©
 - HALOGEN FREE PRODUCT IDENTIFICATION LABEL ON PACKAGING: ©
 - FOR REFLOW SOLDERING LEAD-FREE PROCESS.
 - SOLDERING HEAT RESISTANCE: 260°C. 10 SEC.
 - PRINTED DATE CODE "YYMMDD" ON TOP OF CONNECTOR.

DATE CODE: YYMMDD

DD: DAY
MM: MONTH
YY: YEAR



3D VIEW



SECTION A-A'

NO	DESCRIPTION	QTY	MATERIAL	PLATING & COLOR
C	COVER	1	STAINLESS STEEL,T=0.15	Gold flash on Solder tail area, Over Nickel plating.
B	CONTACT	6	PHOSPHOR BRONZE,T=0.12	Gold flash on contact area and solder tail area, Over Nickel plating.
A	BODY	1	HIGH TEMP:UL94V-0	BLACK COLOR

UNLESS OTHERWISE SPECIFIED TOLERANCES

Singatron Enterprise Co., Ltd.
信亨企業股份有限公司

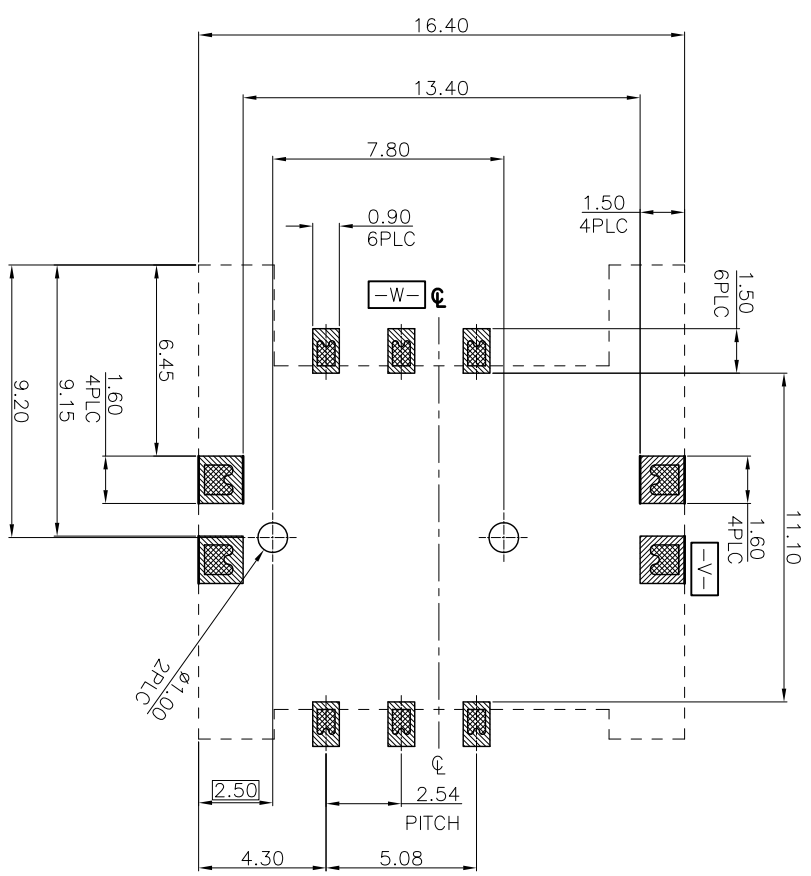
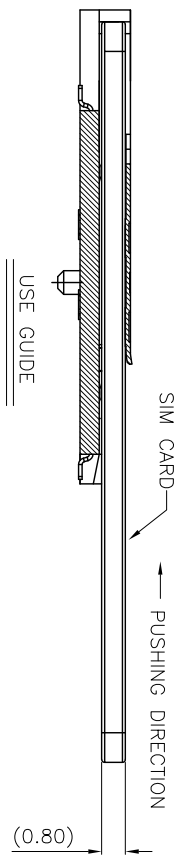
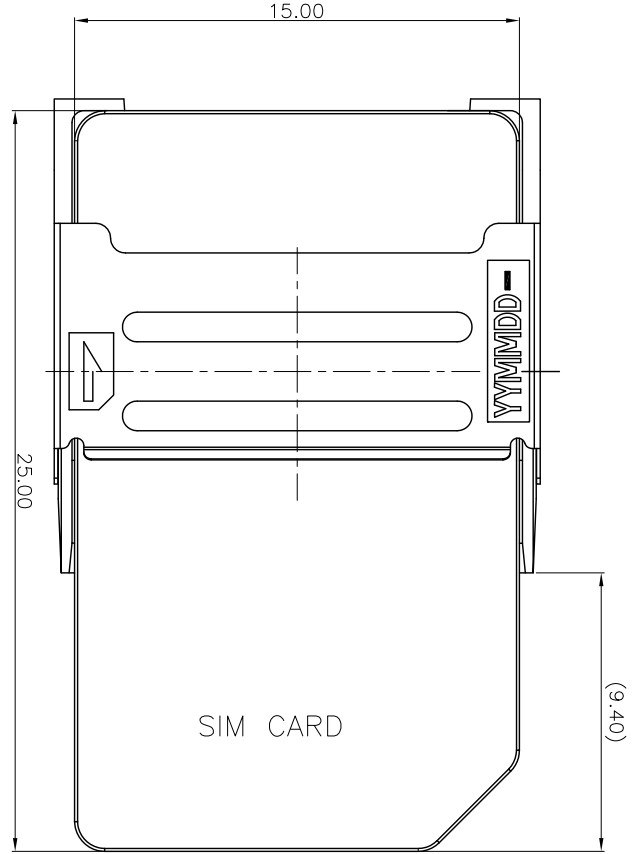
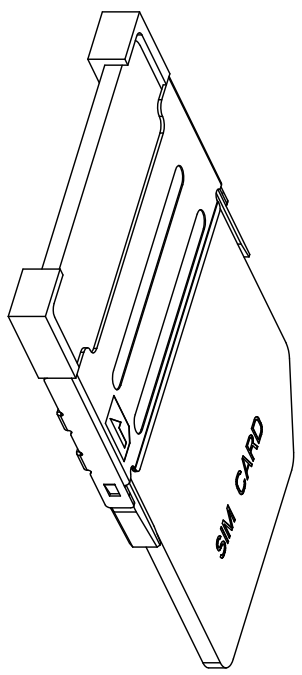
DECIMALS: ANGLES:

TITLE: SIM CARD CONN.

X : ±0.5 X : ±2
X.X : ±0.3 X.X : ±1°
X.XX : ±0.2

DWN Allen 2010.04.09 PART NO. 2SM3013-003111
CHKD Lussen 2010.04.09 SCALE:4:1 UNIT: mm
APVD Max 2010.04.09 SIZE: A3 SHEET: 1 OF 2 REV: C

CUSTOMER COPY



REV.	ECN NO.	OR DESCRIPTION	REVISED	DATE
A	PDR NO: T081017-1A		BOYE.QI	2008.12.05
B	ECN NO: S090334		BOYE.QI	2009.04.21
C	ECN NO: S100116		Allen	2010.04.09

NO	DESCRIPTION	QTY	MATERIAL	PLATING & COLOR
	UNLESS OTHERWISE SPECIFIED TOLERANCES			
	DECIMALS:		ANGLES:	
X	: ± 0.5	X	: $\pm 2^\circ$	
X.X	: ± 0.3	X.X	: $\pm 1^\circ$	
X.XX	: ± 0.2			
	TITLE		SIM CARD CONN.	
DWN	Allen 2010.04.09		PART NO. 2SM3013-003111	
CHKD	Lissen 2010.04.09		SCALE: 4:1 UNIT: mm	
APVD	Mar 2010.04.09		SIZE: A3 SHEET: 2 OF 2 REV: C	

CUSTOMER COPY